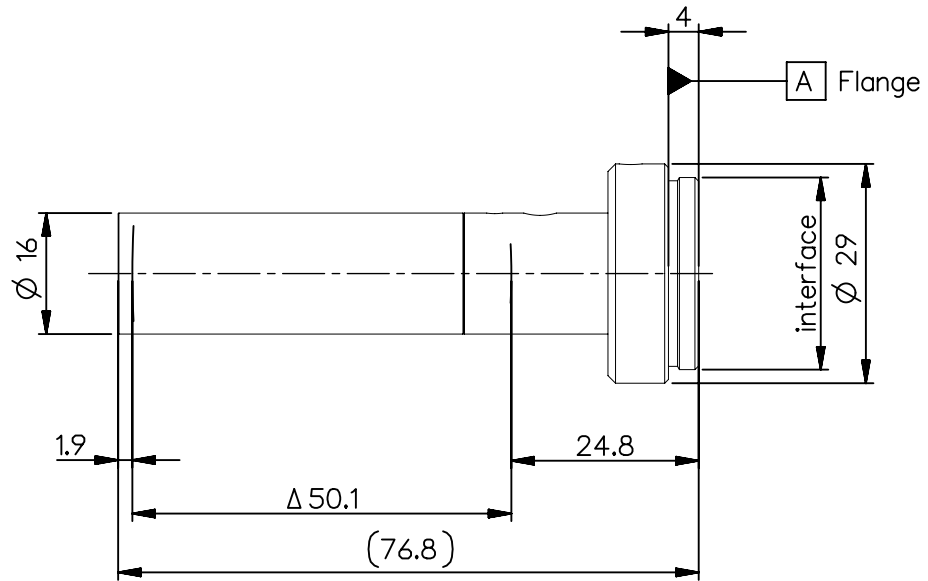


order number	lens name	f-stop
0009-193-000-40	Macro-CCD-Lens -2x	4.4



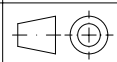
<b>Specification</b>		ON	
image circle max. (mm)	11	working distance (mm)	75
focal length f' (mm)	25.6	interface	C-mount
magnification β' [range]	-2	filter thread	-
spectral range λ (nm)	400 - 750	weight (g)	40

		design includes CCD cover glass: no	
schematic diagram *) in air		SF (mm)	-64.2
		S'F' (mm) *)	-12.7
		HH' (mm) *)	50.5
		SH (mm)	-38.7
		S'H' (mm) *)	-38.3
		SEnP (mm)	
		S'ExP (mm) *)	
		f-stop	
		∅ EnP	
		∅ ExP	

NX PROTECTIVE NOTE "DIN ISO 16016" TO BE OBSERVED	EU-D	AL-T1A	US-D	US-ML	not export controlled
	REV	ECC	DATE	APPROVED	PDM Status
	a	Neuausg			Freigabe
	b	11-0358	20.07.11	Kuehne	-
c	14-0184	17.09.14	Schiff e	SCALE	1:1
d	17-0915	05.12.17	Denk	MATERIAL	
BASIC TOLERANCING PRINCIPLE				TITLE	
				Macro-CCD-Lens 2x	
				DRAWING NO.	
				0009-193-100-40-0001d	
				SHEET 1	
				OF 1	
				REPLACES	

DIN A 4

ALL DIMENSIONS ARE IN MM AND INCLUDE SURFACE TREATMENT



0009-193-100-40-0001d