

NOTE:

MATERIAL

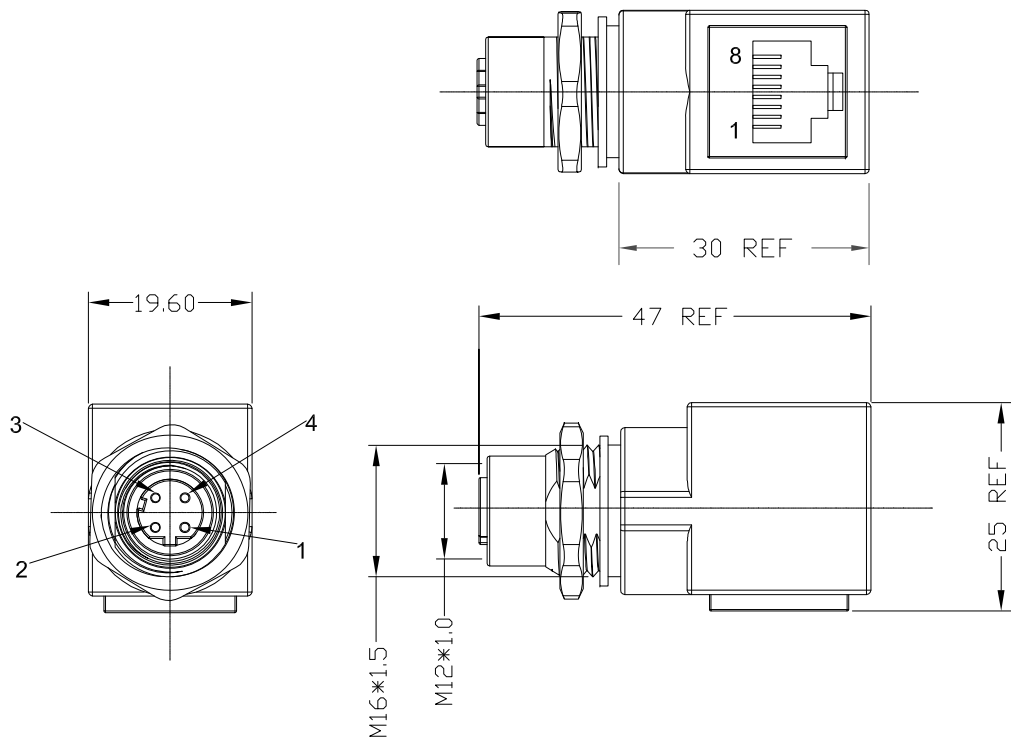
M12 INSULATOR	PA66, UL94V-0, BLACK
M12 CONTACT	GOLD FLASH PLATED BRASS
RJ45 CONTACT	GOLD FLASH PLATED BRASS
M12 SHELL & NUT	NICKEL PLATED BRASS
RJ45 SHIELD	NICKEL PLATED BRASS
O-RING	FKM

ELECTRICAL

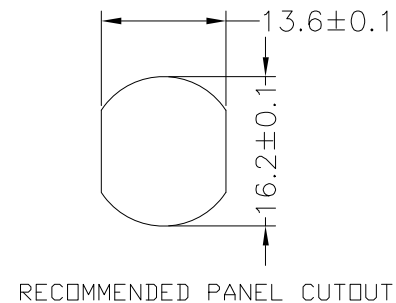
RATED CURRENT	1.5A
VOLTAGE	100VDC
INSULATOR RESISTANCE	100 MOhms MIN.
CONTACT RESISTANCE	10 mOhms MAX.
MATING CYCLES	100 CYCLES MIN

ENVIRONMENT

OPERATION TEMPERATURE	-40°C TO +85°C
IP RATING	IP67 (UNCOUPLED & COUPLED)



M12	_____	RJ45
1	_____	1
3	_____	2
2	_____	3
4	_____	6
SHELL	_____	SHELL



RoHS COMPLIANT

UNITS = mm

DO NOT SCALE FROM DRAWING



THESE DRAWINGS AND SPECIFICATIONS ARE THE PROPERTY OF NorComp AND SHALL NOT BE REPRODUCED, COPIED OR USED AS THE BASIS FOR THE MANUFACTURE OR SALE OF APPARATUS WITHOUT WRITTEN PERMISSION.

DRAWN:

J. KADEL

DATE:

12/20/2021

TOLERANCES  
 .x ±0.5  
 .xx ±0.2  
 ANGULAR ±1°

NorComp

SCALE: NTS

SHEET 1 OF 1

REV 1

DWG NO.

RJM12FD04RA001