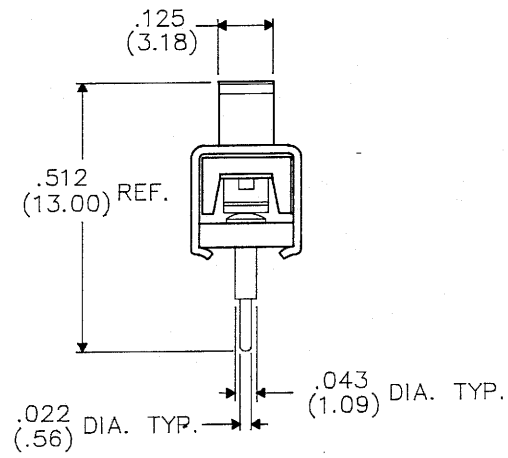
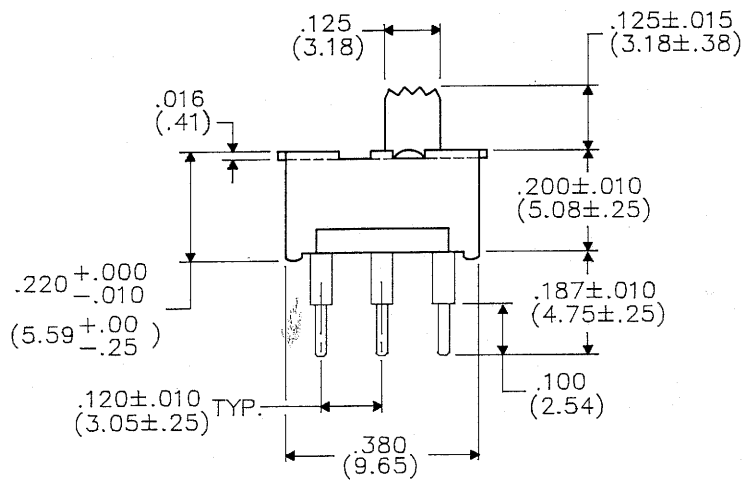
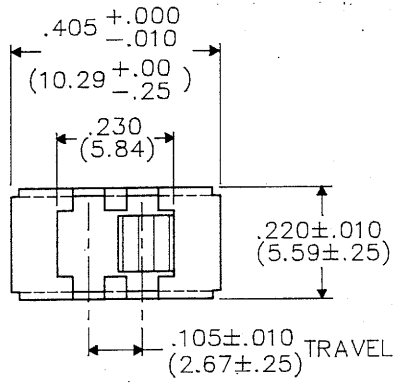


DIMENSIONS IN INCHES (MILLIMETERS)
DO NOT SCALE DRAWING...

Drawing No. **GS-115-0054**



B-FORM-0

REVISIONS

0

RELEASED SPR 1-19-93

CW INDUSTRIES
Southampton, Pa. 18966

TOLERANCES UNLESS OTHERWISE SPECIFIED

2 Place decimal ±.010	METRIC
3 Place decimal ±.005	1 Place dec. ± .25 MM
Angles ± 1°	2 Place dec. ± .13 MM

Made for CW IND.

Drawn by: SPR 1-19-93

Checked by: G. GULD 1-22-93

Approval: 533K 1-22-93

Title: **SWIDGET JR. ASSEMBLY S.P.-D.T. RAD. KNURL**

Division: **SWITCH**

Drawing No: **GS-115-0054**