

## SUMMARY



Image is for illustrative purpose only

### # Wires

Quad 1

Series 1D  
Termination type Female solder  
IP rating 50  
AWG wire size 0.00 - 0.00  
Cable Ø 4.10 - 5.00 mm  
Status **obsolete**  
Matching parts [ERN.1D.694.CNA](#)

### Download

[Request a quote](#)  
[Catalog](#)

## TECHNICAL DETAILS

### Mechanics

Shell Style/Model FFA\*: Straight plug, cable collet and nut for fitting a bend relief  
Keying  
Housing Material Brass (chrome plated [SAE AMS 2460]) shell and collet nut, nickel plated [SAE AMS QQ N 290] brass latch sleeve and mid pieces  
Variant Z : Nut for fitting a bend relief  
Weight 16.19 g

### Performance

Configuration 1D.694 : 1 Quadrax  
Insulator N: PBT  
Rated Current

### Specifications

Contact Type: Solder  
Vtest (contact-shell): 420 V (AC), 600 V (DC)  
Vtest (contact-contact): 420 V (AC), 600 V (DC)

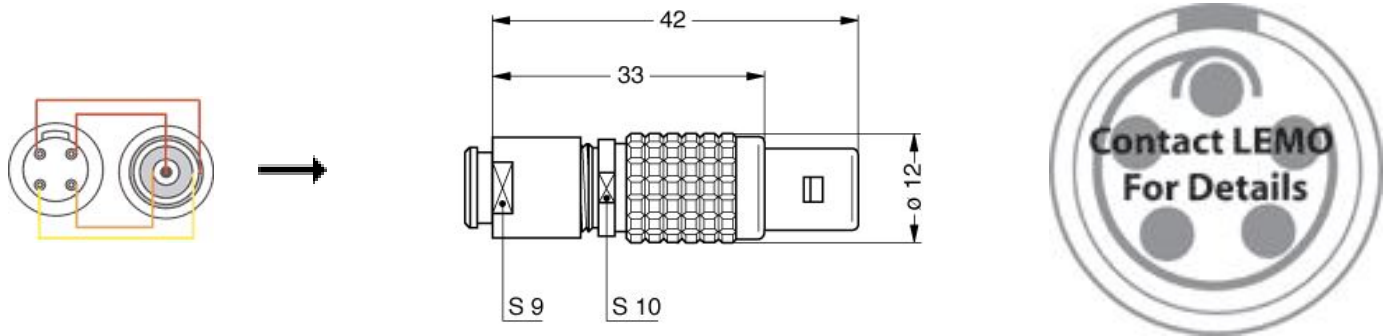
### Others

Endurance (Shell): 1000 mating cycles

LEMO products and services are provided "as is". LEMO makes no warranties or representations with regard to LEMO product & services or use of them, express, implied or statutory, including for accuracy, completeness, or security. The user is fully responsible for his products and applications using LEMO components.

Temp (min / max): -40°C / +120°C  
Insulating res.: 10e11 Ohms  
Shielding (min): 35 dB (1 GHz)  
Shielding (min): 70dB (10 MHz)  
Salt Spray Corrosion: >1000 hr

## DRAWINGS



### Dimensions

	A	L	M
mm.	12	42	33
in.	0,47	1,65	1,30

## RECOMMENDED BY LEMO

### Tools

*LEMO products and services are provided "as is". LEMO makes no warranties or representations with regard to LEMO product & services or use of them, express, implied or statutory, including for accuracy, completeness, or security. The user is fully responsible for his products and applications using LEMO components.*