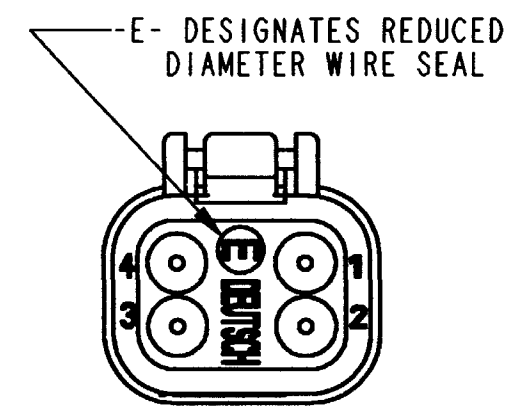
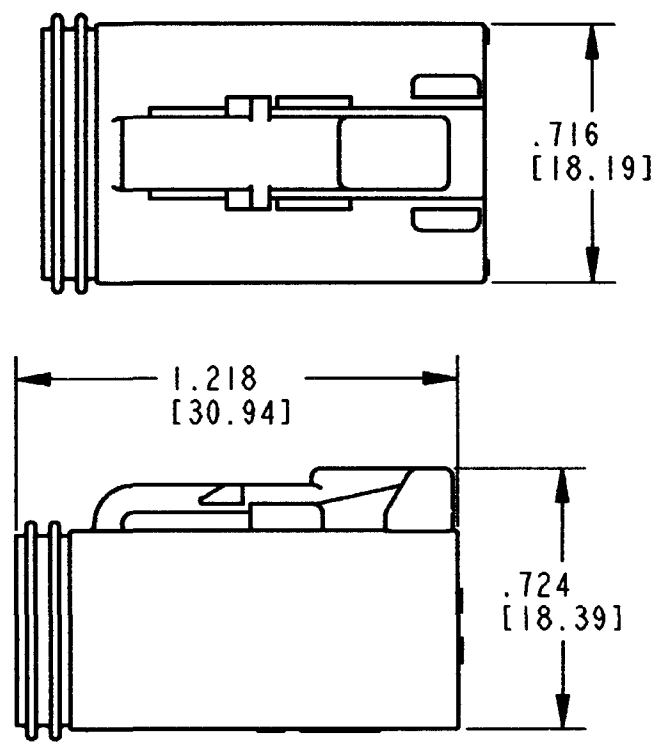
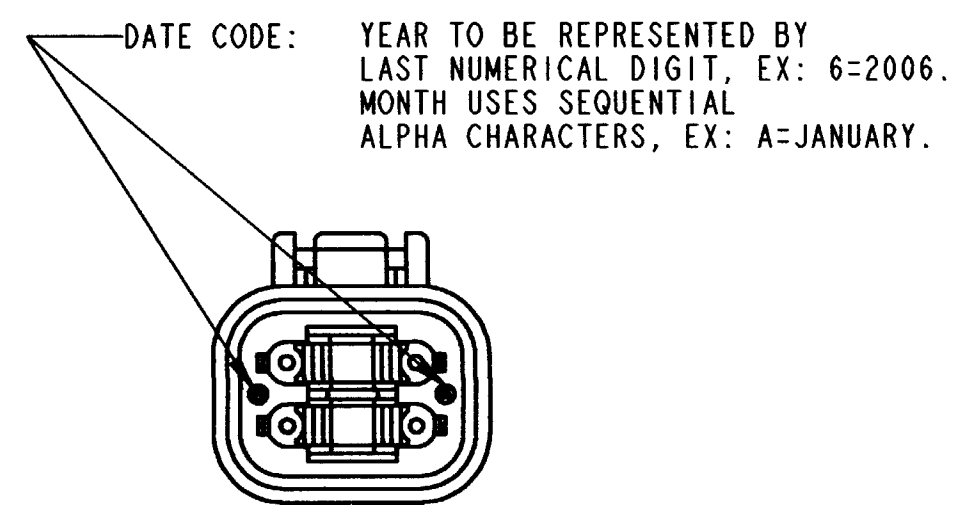


REV
NC DT06-4S-CE02

REVISIONS			
SYM	DESCRIPTION	DATE	APPROVED
NC	NEW RELEASE PER E.O. P18930	7-29-05	RDR



CONTACT SIZE	MIN. INSUL O.D.	MAX. INSUL O.D.	WIRE RANGE [mm ²]
16	.053 [1.35]	.120 [3.05]	14-20 AWG [2.0-0.5]

4. THIS PLUG MATES WITH THE DT04-4P-****RECEPTACLE. (****=ALL MODIFICATIONS). CONTACT FACTORY FOR MODIFICATION.
3. FOR WIRE PERFORMANCE AND APPLICATION CHARACTERSTICS, SEE ENVELOPE DRAWING 0425-015-0000 AND 0425-017-0000.
2. ALL DIMENSIONS ARE ±.025[.063] UNLESS OTHERWISE SPECIFIED.
1. ALL DIMENSIONS ARE INCHES [MILLIMETERS].

NOTES:

SIGNATURE & DATE	
DR	T. YOHANNES ZOMAROI
CHK	R. M... 7/29/05
PE	... 5/27/05
APPD	... 5-27-05
SCALE	NONE WT

4 WAY PLUG
W/REDUCED WIRE SEAL
-CE02 MOD.
COLOR: BLACK
DT SERIES

ENVELOPE

CP	MATL. CODE
The Deutch Company DEUTSCH I.P.D. 3850 INDUSTRIAL AVE. HEMET, CALIF. 92545	
B DT06-4S-CE02	
DWG SIZE	CODE 11139 SHEET OF