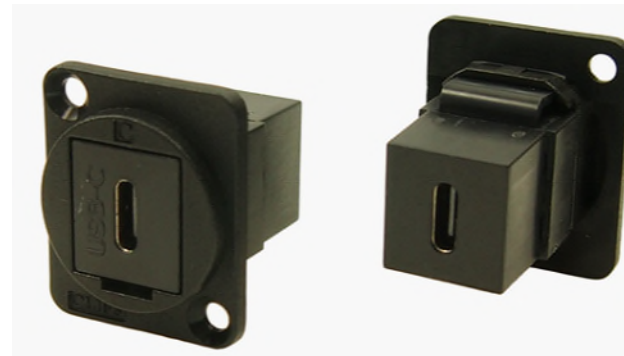
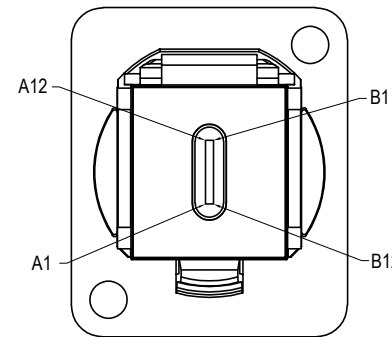


PANEL CUTOUT  
MAXIMUM PANEL  
THICKNESS 3mm



Materials:  
Frame: PA66, UL94-V2  
Insert: ABS - UL94 HB

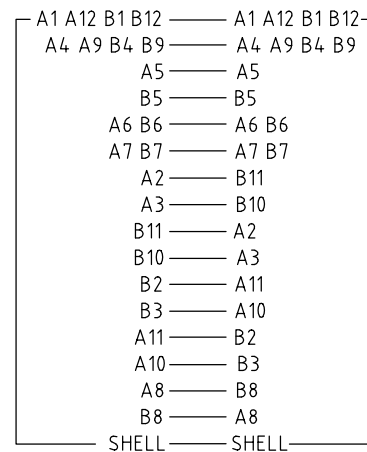
USB-C Specification:  
Maximum Rated Current - 3A  
Maximum Power - 60W  
Withstanding Voltage - 100V for 1 minute.  
Contact Resistance - 40 Milli-ohms Max.  
Insulation Resistance - 100 Mega-ohms Min.  
Insertion Life - 5,000 Cycles.



ISS.	AMEND	DATE
1	ISSUED	02/09/19
2	USAGE NOTES	07/10/19
3	ADD WHITE VARIANTS	25/06/21

### WIRING DIAGRAM

FRONT REAR



FUNCTIONALITY IS AFFECTED BY CABLE QUALITY, LENGTH AND CABLE WIRING CONFIGURATION.  
NOT COMPATIBLE FOR POWER DELIVERY (PD) CHARGING.

PART NO.	COLOUR	DESCRIPTION
CP30201	BLACK	HOLE Ø3.50 x CSK 82° x Ø5.85
CP30201W	WHITE	
CP30201X	BLACK	PLAIN HOLE Ø2.50
CP30201XW	WHITE	

**RoHS**  
COMPLIANT

### TOLERANCE

NO DEC. PLACE ± 0.50  
1 DEC. PLACE ± 0.20  
2 DEC. PLACE ± 0.10  
HOLE Ø ± 0.10  
ANGLES ± 1/2°  
UNLESS OTHERWISE STATED

DO NOT SCALE

**Cliff Electronic Components Ltd.**

76 Holmetherpe Avenue, Holmetherpe Industrial Estate,  
Redhill, Surrey, RH1 2PF, England, UK  
Tel: 01737-771375 Fax: 01737-766012 Website: www.cliffuk.co.uk

DIMENSIONS IN MILLIMETERS UNLESS OTHERWISE STATED. WORK TO DIMENSIONS. REMOVE ALL BURRS. IF IN DOUBT ASK.

3rd ANGLE PROJECTION:



MATERIAL: SEE NOTES

FINISH: CLEAN

DRAWN: D.P.J.

APPROVED: T.J.O.

TITLE: FT USBC FEMALE-FEMALE

DRWG. No. CP30201

FORM: A4DRWG-