



PUI audio



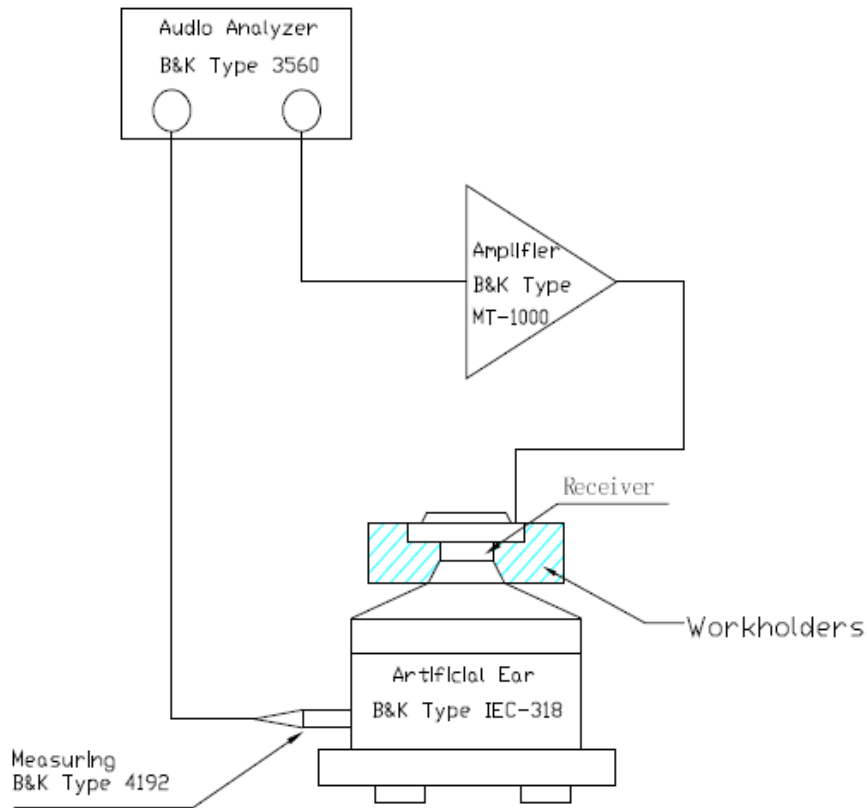
Data Sheet

AR027300MR-R

Specifications

Parameters	Values	Units
Rated Input Power	15	mWatts
Max Input Power	30	mWatts
Impedance	$300 \pm 15\%$	Ohms
Sensitivity (SPL @ 1kHz) 2.12Vrms with IEC 318 coupler	110 ± 3	dB Pa/V
Resonant Frequency (179mV in free air)	$400 \pm 20\%$	Hz
Magnet Material	NdFeB	-
Diaphragm Material	Mylar	-
Weight	2.3	Grams
Environmental Protection Rating	ROHS/REACH	-
Buzz, Rattle, etc.	Should not be audible with 2.12 Vrms sine wave from Fo to 10 kHz	-
Polarity	When positive voltage is applied to the positive terminal, the diaphragm will move outward	-
Operating Temperature	-20 ~ +60	°C
Storage Temperature	-30 ~ +60	°C

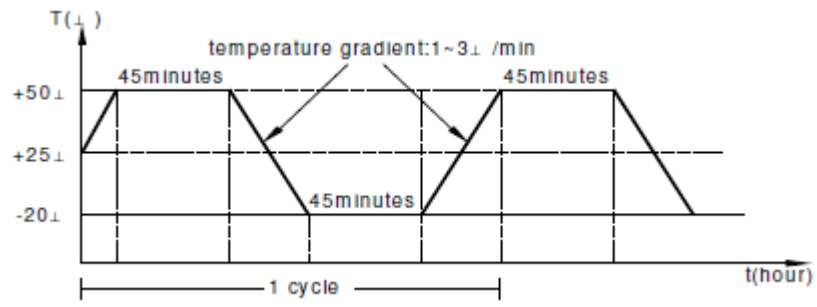
Measurement Method (measured with 179mV, Temperature: 15 ~ 35°C, Relative Humidity: 25%~75%)



Frequency Response (measured at 2.12 Vrms)

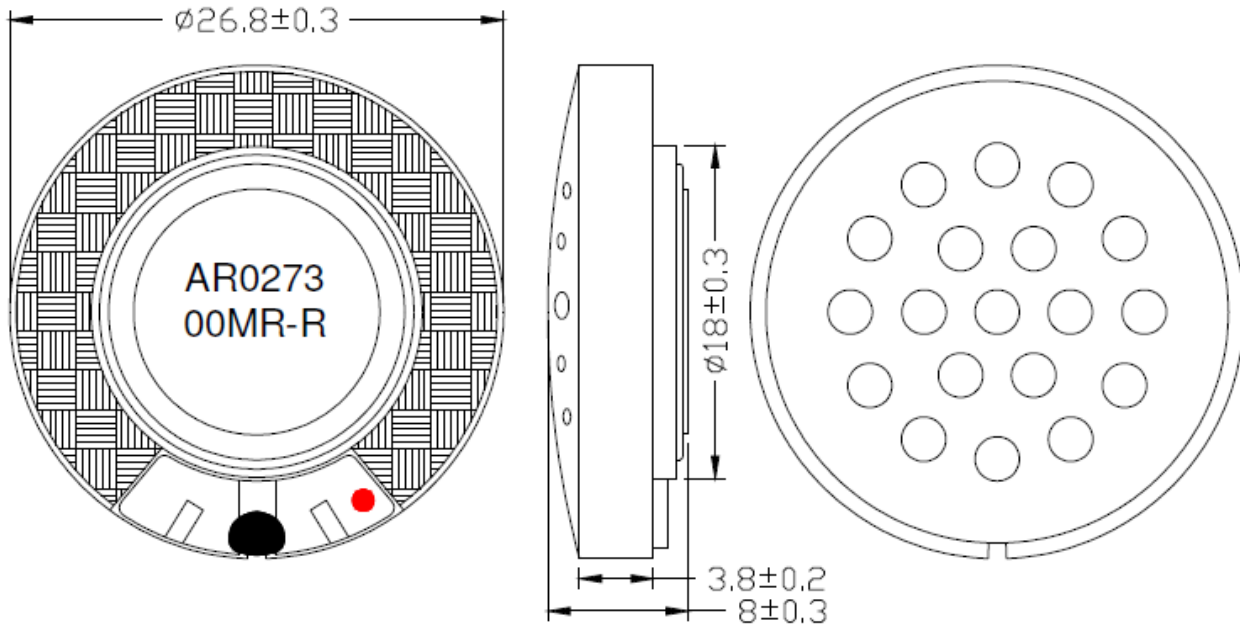


Reliability Testing

Type of Test	Test Specifications
High Temperature Test	96 hours at +60°C ± 2°C
Low Temperature Test	96 hours at -20°C ± 2°C
Humidity Test	48 hours at +40°C ± 2°C with relative humidity at 90-95% relative humidity
Temperature Cycle Testing	<p>The part shall be subjected to 5 cycles.</p> 
Vibration Test	Frequency 30 ± 15 Hz, Amplitude 1.5 mm for 3 hours
Drop Test	75 cm free fall on concrete floor, 10 times
Load Test and Max Power Test	White noise is applied at the speakers rated power for 96 hours at room temperature

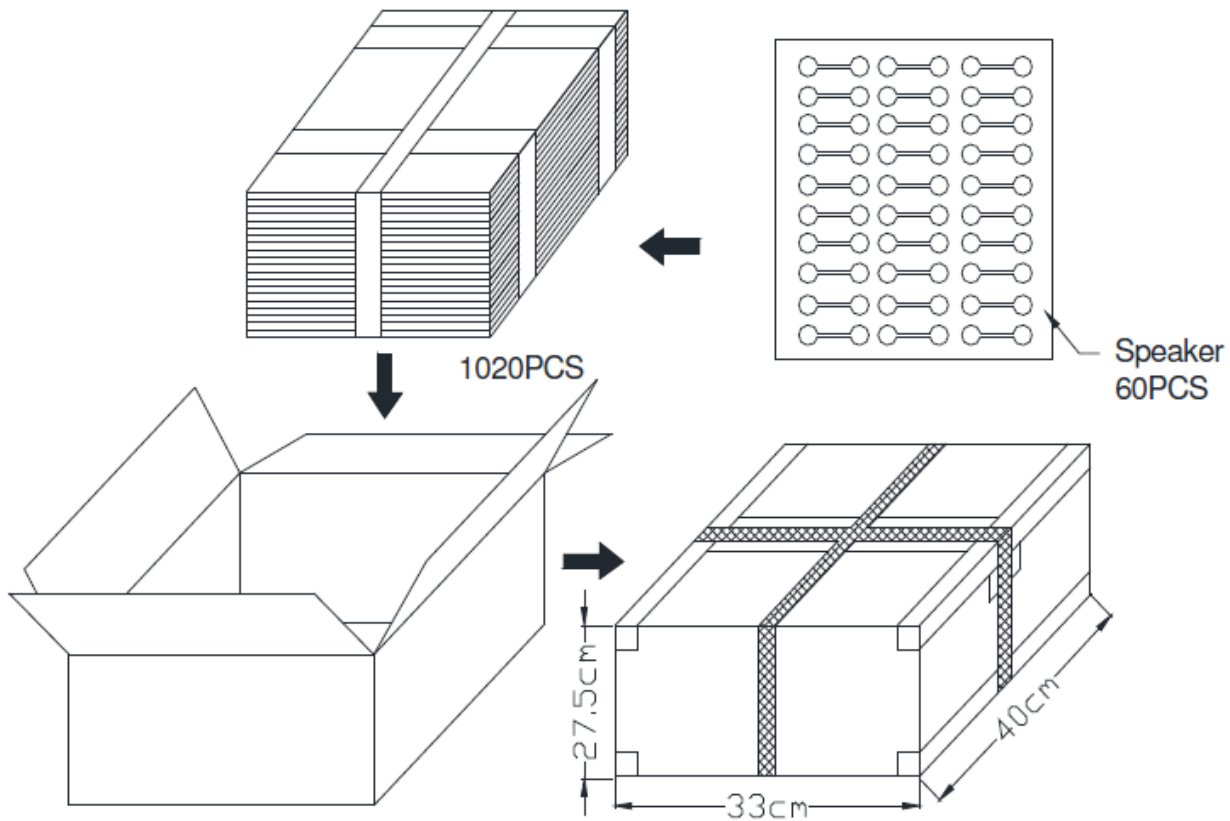
After each test, the speaker's SPL shall be ±3 dB of the original SPL after 6 hours of recovery.

Dimensions



Red dot side with positive polarity

Packaging



Specifications Revisions

Revision	Description	Date
-	Released from Engineering	3/26/2010
A	Revised ROHS status and polarity	10/9/2013
B	Revised SPL, operating temp, weight	11/1/2013
C	Revised rated power	2/27/2020

Note:

- Unless otherwise specified:
 - All dimensions are in millimeters.
 - Default tolerances are $\pm 0.5\text{mm}$ and angles are $\pm 3^\circ$.
- Specifications subject to change or withdrawal without notice.