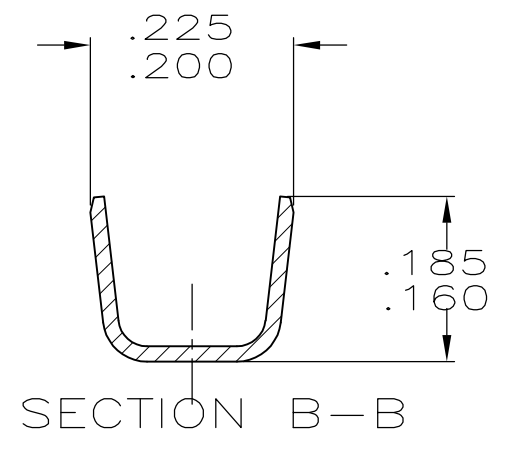
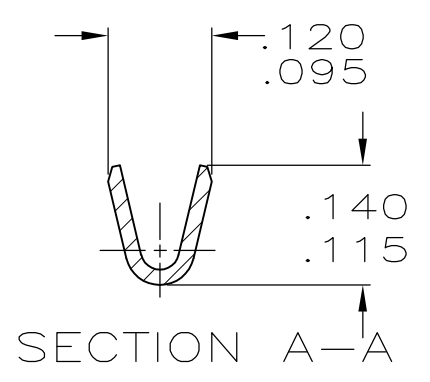
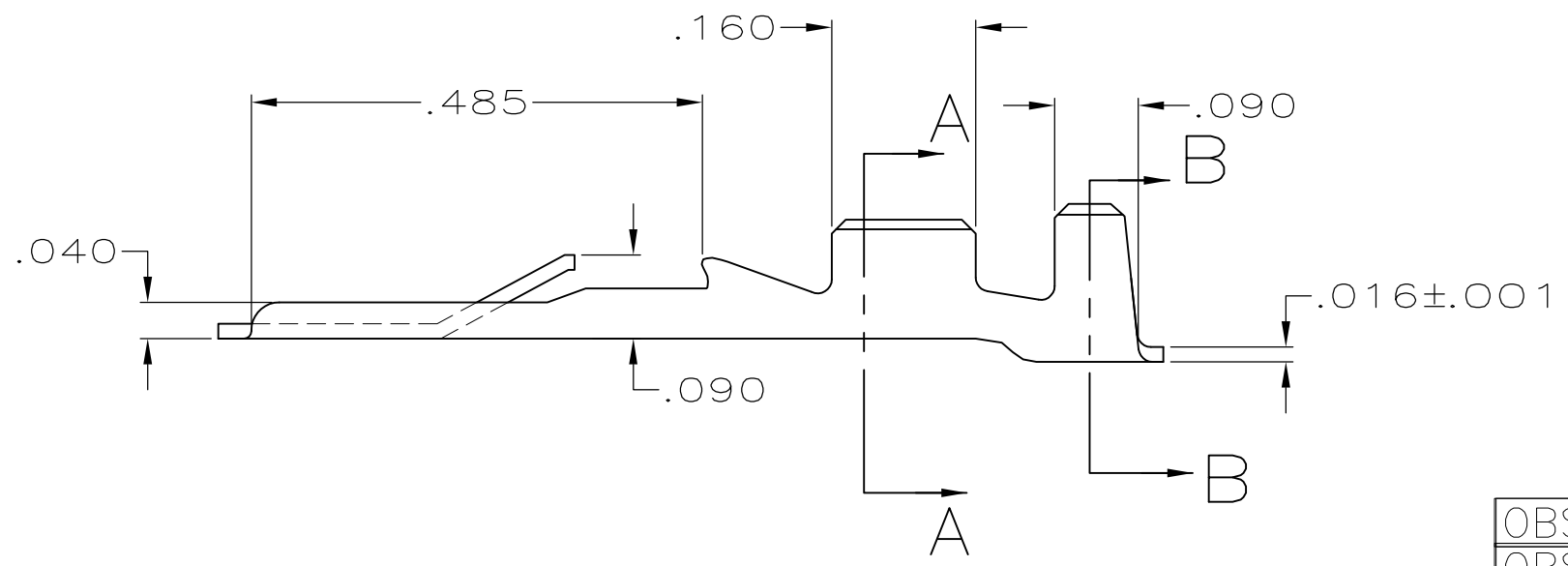
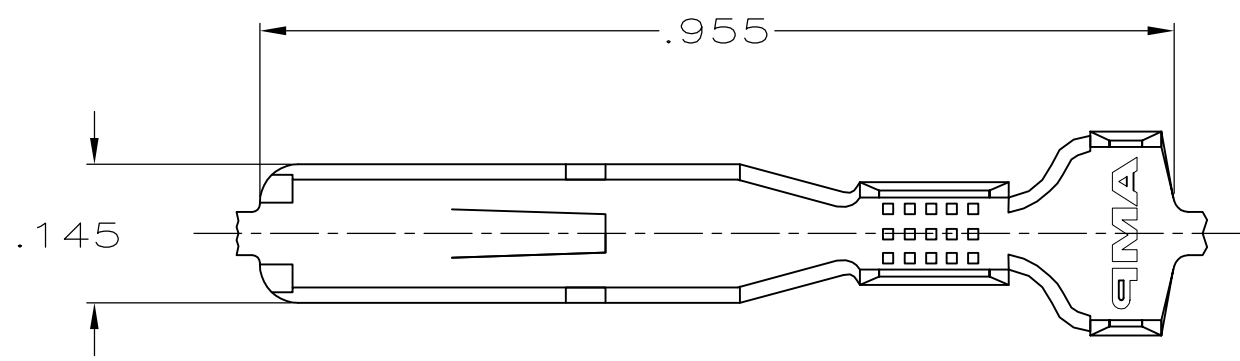


THIS DRAWING IS UNPUBLISHED. RELEASED FOR PUBLICATION  
 © COPYRIGHT - By - ALL RIGHTS RESERVED.

LOC	DIST	REVISIONS					
AF	50	P	LTR	DESCRIPTION	DATE	DWN	APVD
			N	REVISED PER ECR-13-005733	27AUG2013	KH	PD

1 CONTINUOUS STRIP ON REELS.  
 2 FOR FOREIGN PRODUCTION ONLY.



OBSOLETE  
OBSOLETE

.090-.130 OR (TWO) .110 MAX	#20-#16 AWG	TIN .000080 MIN	2 60434-3
		PRE-TIN	2 60434-2
INSULATION RANGE	WIRE SIZE	FINISH	60434-1

F	.180	.220	F	.080	.064	(2) #20
					.069	16
					.060	18
					.055	20
TYPE	WIDTH	STRIP LENGTH ±.015	TYPE	WIDTH	± .002 HEIGHT	WIRE
INSUL BARREL CRIMP			WIRE BARREL CRIMP			

THIS DRAWING IS A CONTROLLED DOCUMENT.

DIMENSIONS: INCHES	TOLERANCES UNLESS OTHERWISE SPECIFIED:
	0 PLC ± -
	1 PLC ± -
	2 PLC ± -
	3 PLC ± .015
	4 PLC ± -
	ANGLES ± -
MATERIAL BRASS	FINISH SEE TABLE

DWN JR RUTH 1/24/95	TE Connectivity CHANNEL TAB, FASTIN-FASTON, .187 SERIES			
CHK MS FEHER 1/24/95				
APVD - 1/24/95 J GILLESPIE				
PRODUCT SPEC - 1/24/95 R REINER				
APPLICATION SPEC 114-2023	NAME			
WEIGHT -	SIZE A3	CAGE CODE 00779	DRAWING NO C-60434	RESTRICTED TO -
CUSTOMER DRAWING	SCALE 5:1	SHEET 1 OF 1	REV N	