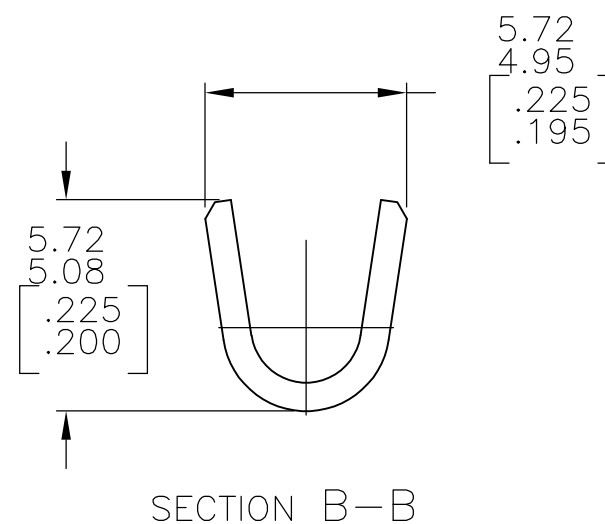
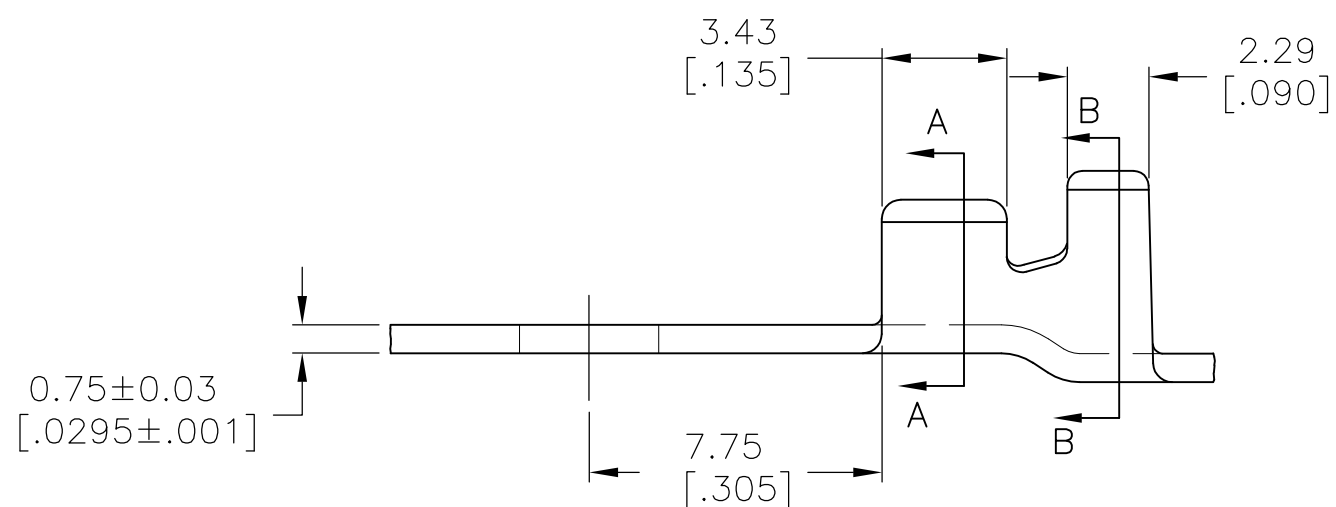
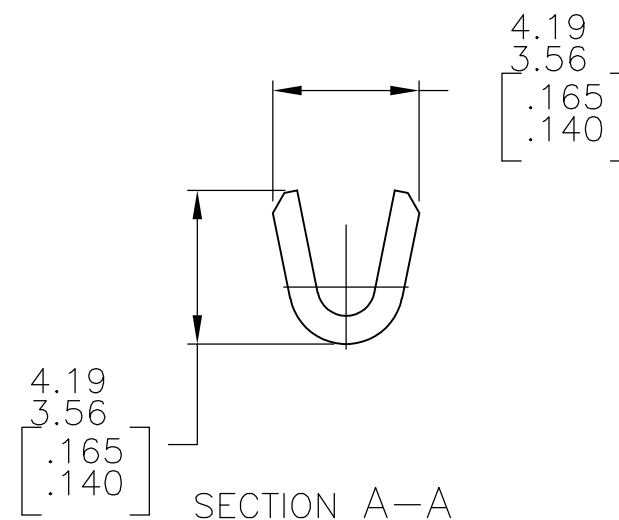
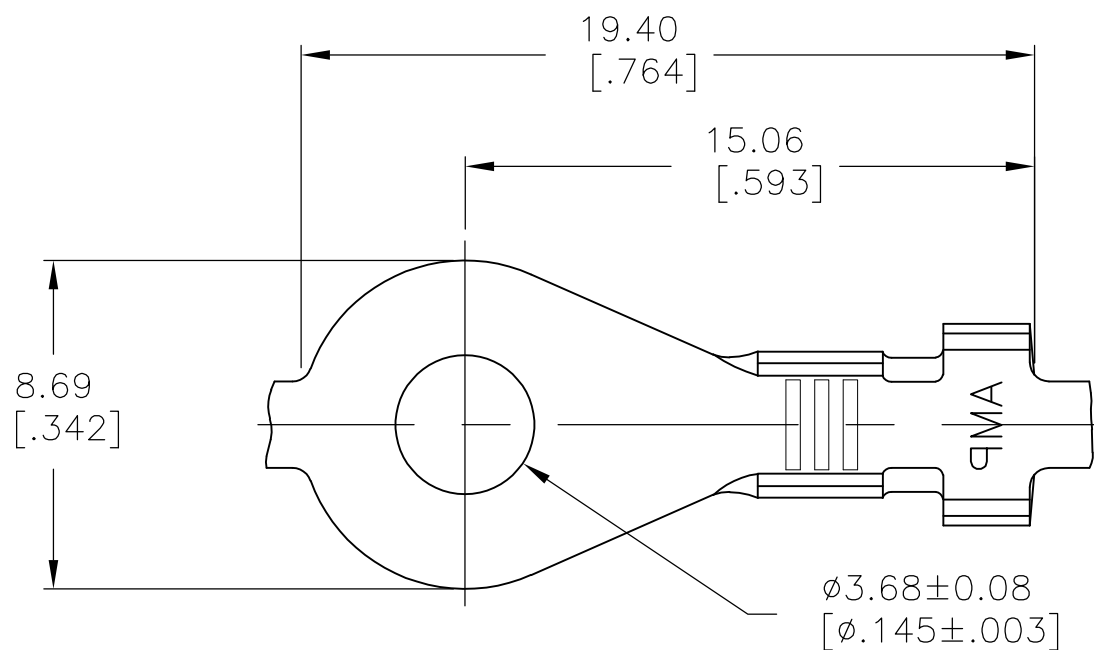


THIS DRAWING IS UNPUBLISHED. RELEASED FOR PUBLICATION
 © COPYRIGHT BY TYCO ELECTRONICS CORPORATION. ALL INTERNATIONAL RIGHTS RESERVED.

LOC	DIST	REVISIONS					
		P	LTR	DESCRIPTION	DATE	DWN	APVD
AF	50		C2	REVISED PER ECR-10-009713	11MAY10	HMR	PD
			C3	REVISED PER ECR-15-013377	16SEP2015	L.P	T.D

1 CONTINUOUS STRIP ON REELS



M3.5 #6	0.5–1.4mm ² [20–16]	2.54–3.56 [.100–.140]	42933–2
STUD SIZE	WIRE RANGE AWG	INSULATION RANGE	PART NO

THIS DRAWING IS A CONTROLLED DOCUMENT.		DWN RAGHAVENDRA 05MAR09	Tyco Electronics Corporation Harrisburg, PA 17105-3608	
DIMENSIONS: mm [INCHES]		CHK JEFF RUTH 05MAR09	Tyco Electronics	
TOLERANCES UNLESS OTHERWISE SPECIFIED:		APVD DON DECKER 05MAR09	RING	
<ul style="list-style-type: none"> 0 PLC ± - 1 PLC ± - 2 PLC ± 0.25[.010] 3 PLC ± - 4 PLC ± - ANGLES ± 1° 0' 		PRODUCT SPEC -	NAME	
MATERIAL BRASS		APPLICATION SPEC -	SIZE A3	CAGE CODE 00779
FINISH TIN		WEIGHT -	DRAWING NO C-42933	RESTRICTED TO -
CUSTOMER DRAWING			SCALE 5:1	SHEET 1 OF 1
			REV C3	