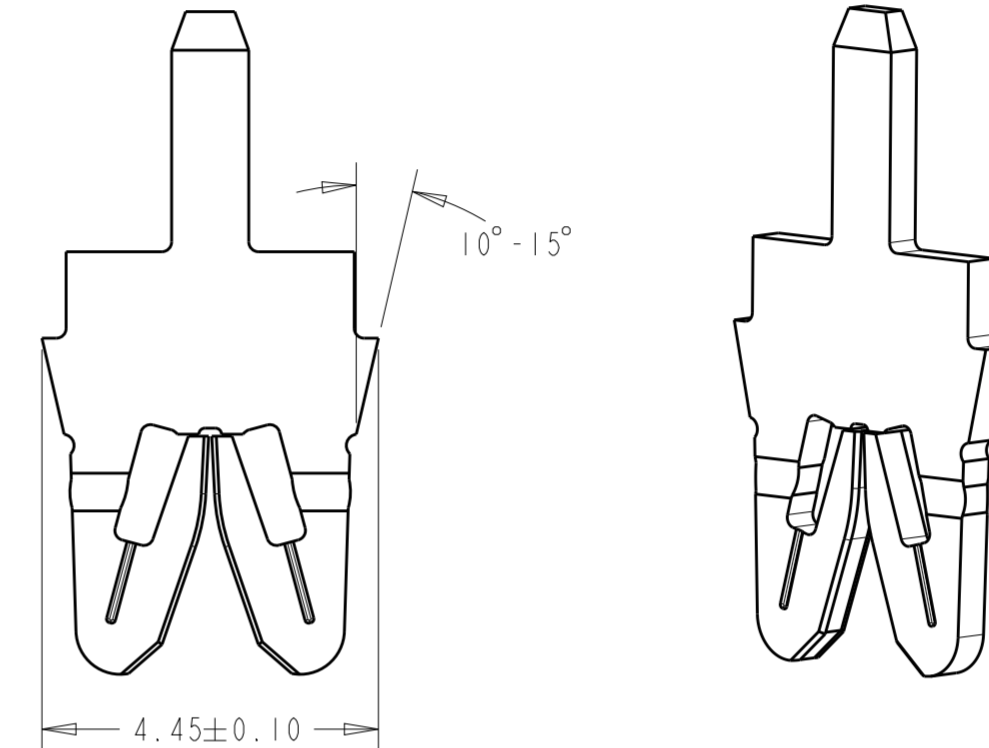
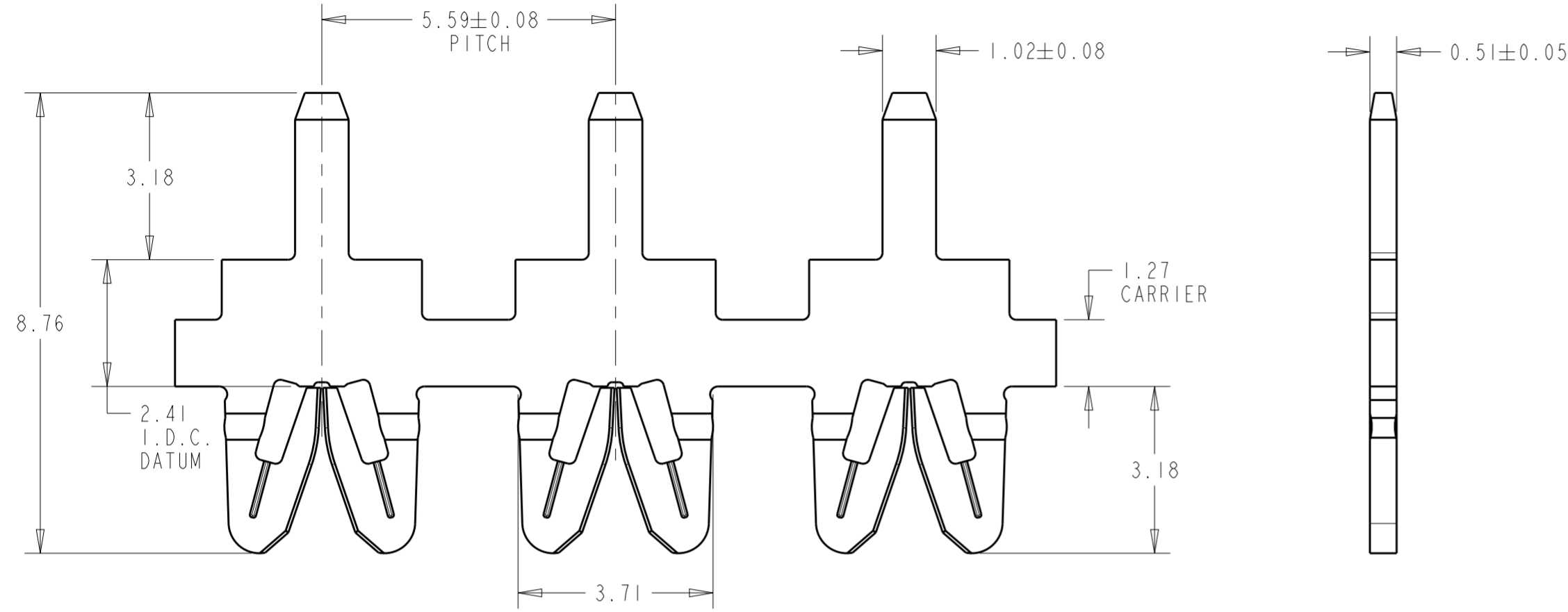
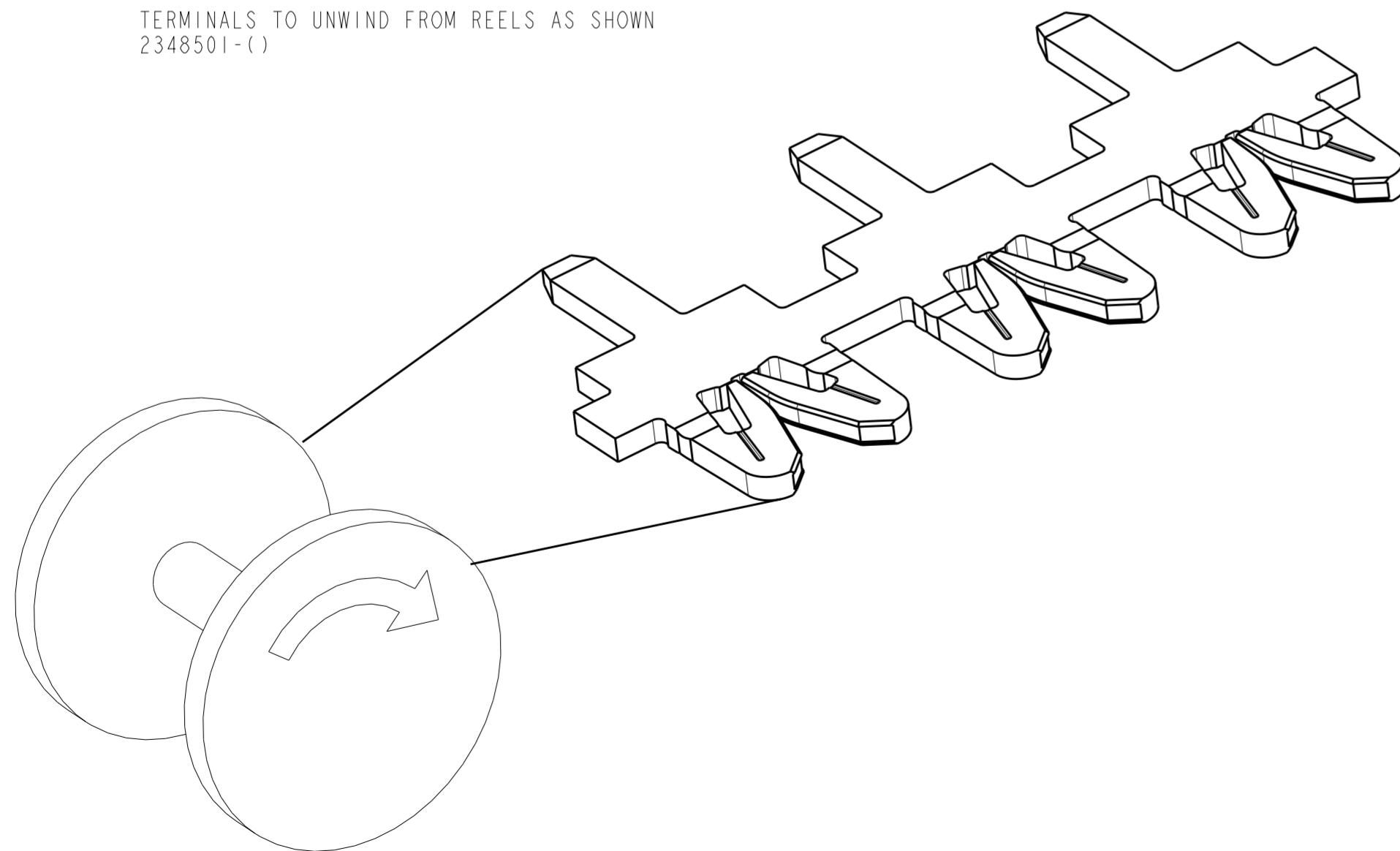


P	LTR	DESCRIPTION	DATE	DWN	APVD
A		INITIAL RELEASE	09MAR2020	JH	PKS
AI		PRELIMINARY STAMP AND FASR NOTE REMOVED	07MAY2020	MB	TD



LOOSE PIECE CONFIGURATION
4-2348501-(-)

TERMINALS TO UNWIND FROM REELS AS SHOWN
2348501-(-)



NOTES:

- 1 SPECIFICATION
0.45-1.00mm MAGNET ALUMINUM WIRE.
- 2 POCKET RECOMMENDATION:#I601424
- 3 TERMINAL APPLICATION TO COMPLY WITH TE CONNECTIVITY
SPECIFICATION 114-13166 FIGURE 5.

2348501-2
Part Number

THIS DRAWING IS A CONTROLLED DOCUMENT.		DWN JUSTIN HUANG 01 APR 2019	TE Connectivity	
DIMENSIONS: mm		CHK JUSTIN HUANG 01 APR 2019		
TOLERANCES UNLESS OTHERWISE SPECIFIED:		APVD SENTHIL KUMAR 01 APR 2019	NAME WIRE TO 1.02X0.51 PCB TAB SIAMEZE TERMINAL FOR AL WIRE	
0 PLC ±-		PRODUCT SPEC 108-2085	SIZE A2	
1 PLC ±-		APPLICATION SPEC 3	CAGE CODE 00779	DRAWING NO C-2348501
2 PLC ±0.13		RESTRICTED CUSTOMER	SCALE 10:1	SHEET OF
3 PLC ±-			REV A1	
4 PLC ±-				
ANGLES ±2°				
FINISH BRASS POST TIN PLATE				