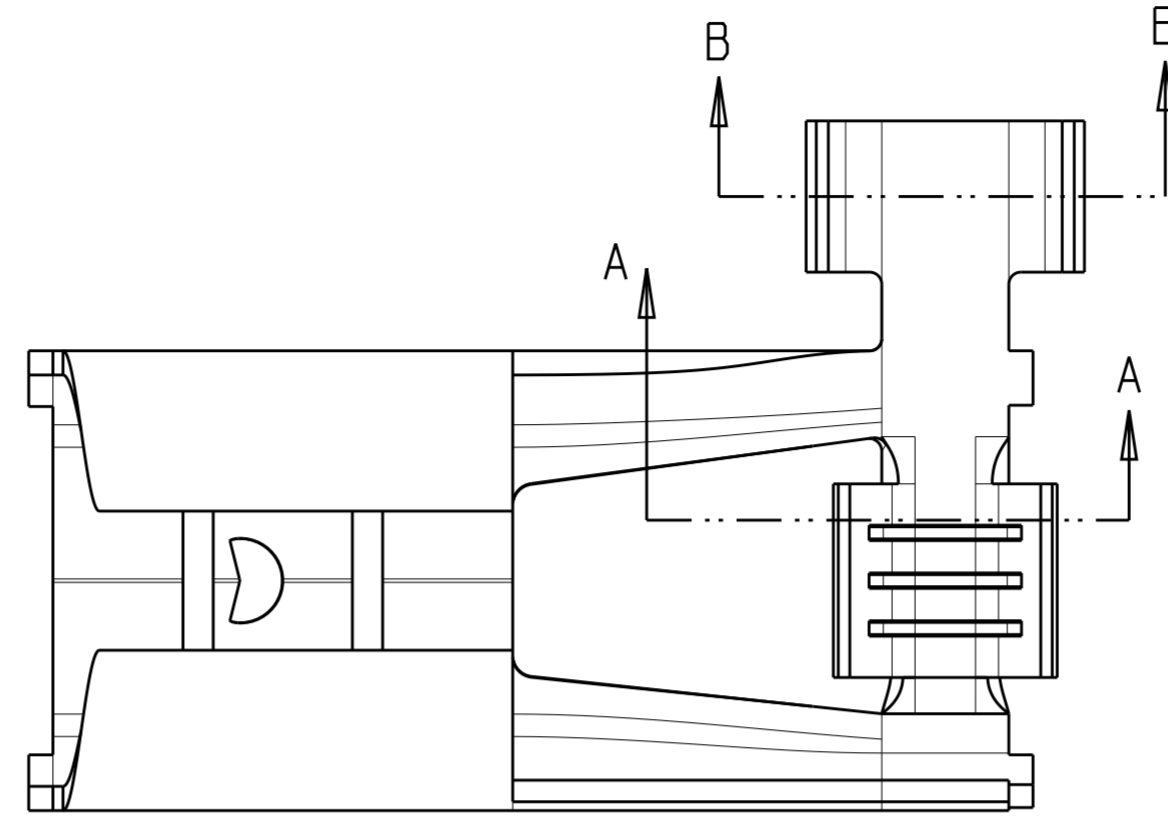
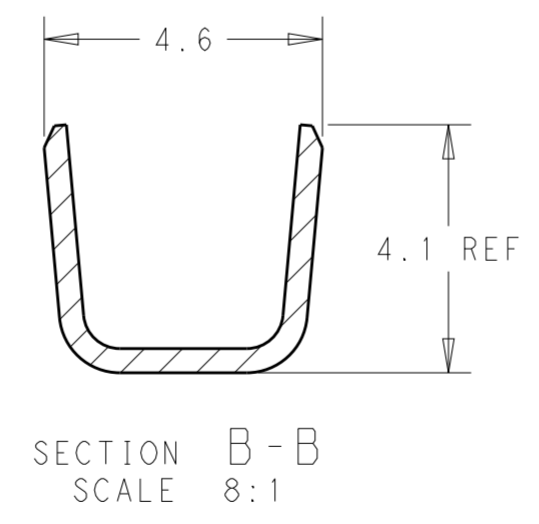
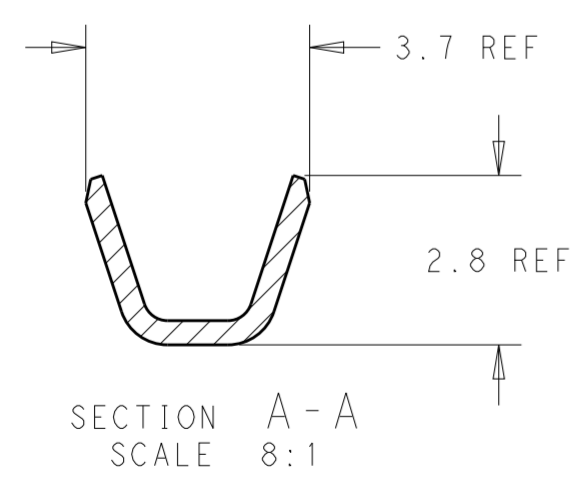
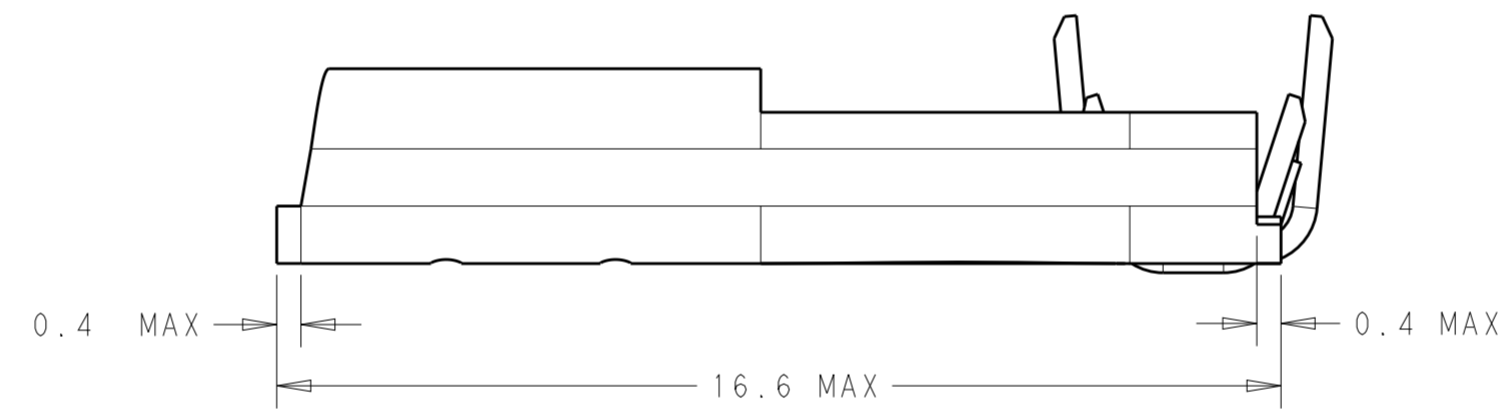
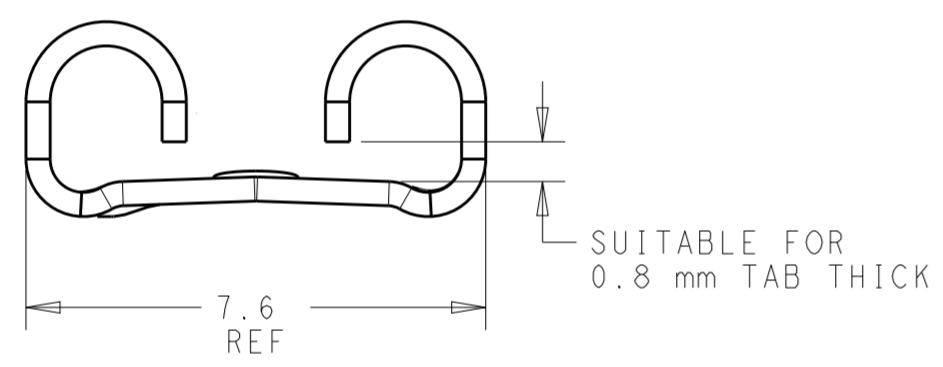


THIS DRAWING IS UNPUBLISHED. RELEASED FOR PUBLICATION
 © COPYRIGHT copyright.d8te- ALL RIGHTS RESERVED.

REVISIONS				
P	LTR	DESCRIPTION	DATE	APVD
	L2	REVISED PER ECR-17-009666	04JUL2017	BW FV



- 1 FOR STRIP FORM VERSION SEE DRAWING 180388
- 2 PACKAGE ACCORDING TO AMP SPEC. 107-20201



TIN PLATED	BRASS	0-180430-2
UNPLATED	BRASS	0-180430-1
FINISH/COLOR	MATERIAL	TE P/N

THIS DRAWING IS A CONTROLLED DOCUMENT.		DWN RAVLS 26MAY2017	TE Connectivity	
DIMENSIONS: mm		CHK VIRDIA FEDERICO 26MAY2017		
TOLERANCES UNLESS OTHERWISE SPECIFIED:		APVD VIRDIA FEDERICO 26MAY2017	NAME FASTON CONNECTOR	
0 PLC ±0.3		PRODUCT SPEC	.250 sr. FLAG REC. CONTACT (LOOSE PIECE VERSION)	
1 PLC ±		APPLICATION SPEC	SIZE CAGE CODE DRAWING NO RESTRICTED TO	
2 PLC ±		WEIGHT	A200779 C-180430	
3 PLC ±		CUSTOMER DRAWING	SCALE 5:1	SHEET 1 OF 1
4 PLC ±				REV L2
ANGLES ±2°				
FINISH				

INS. DIA. RANGE: 2.0-3.3
 WIRE RANGE: 0.5-1.5