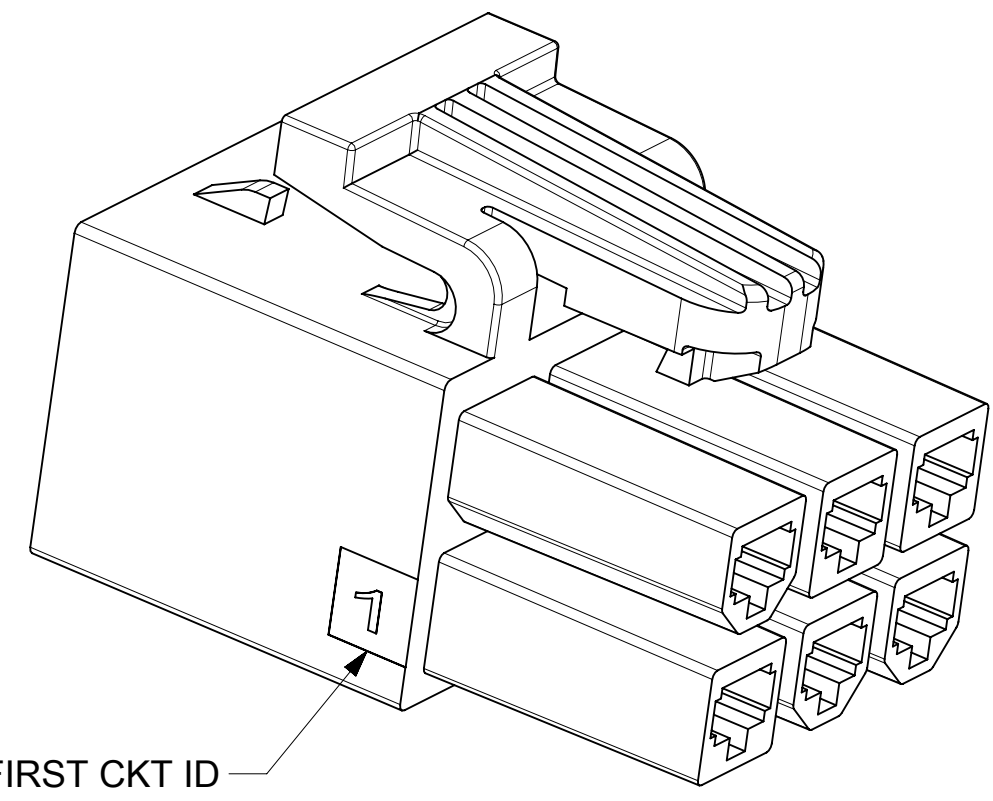
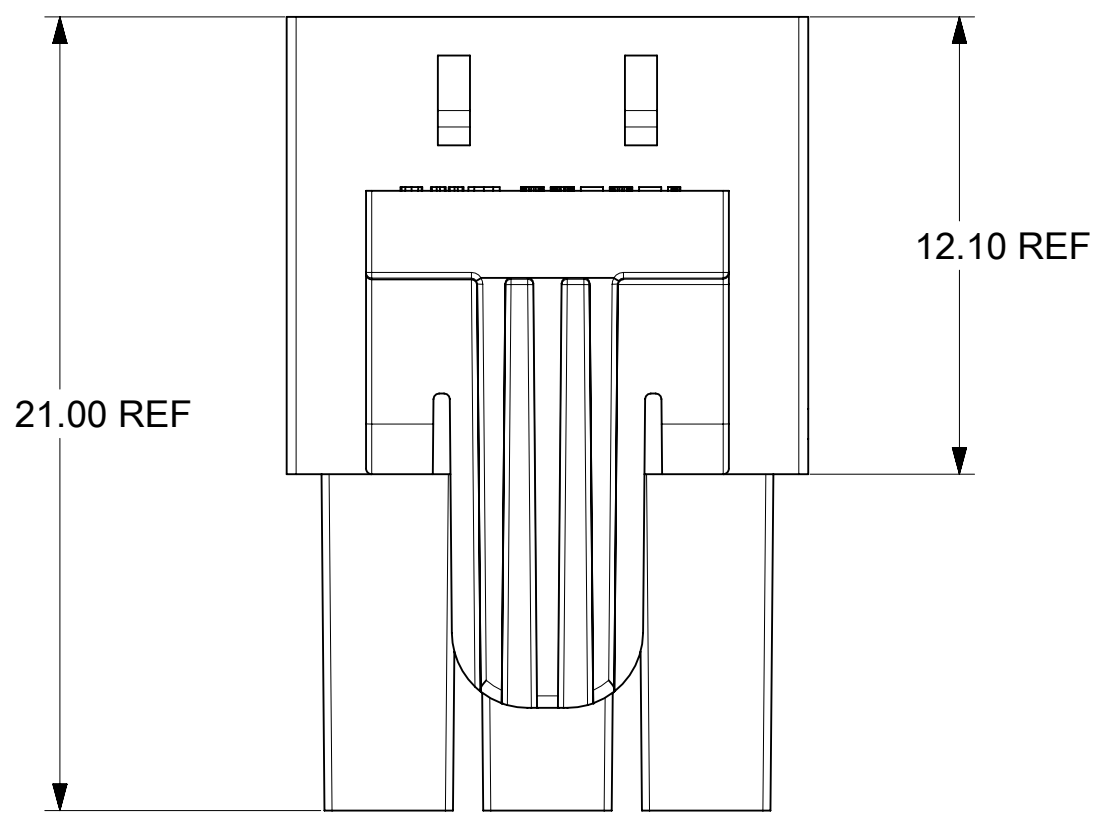
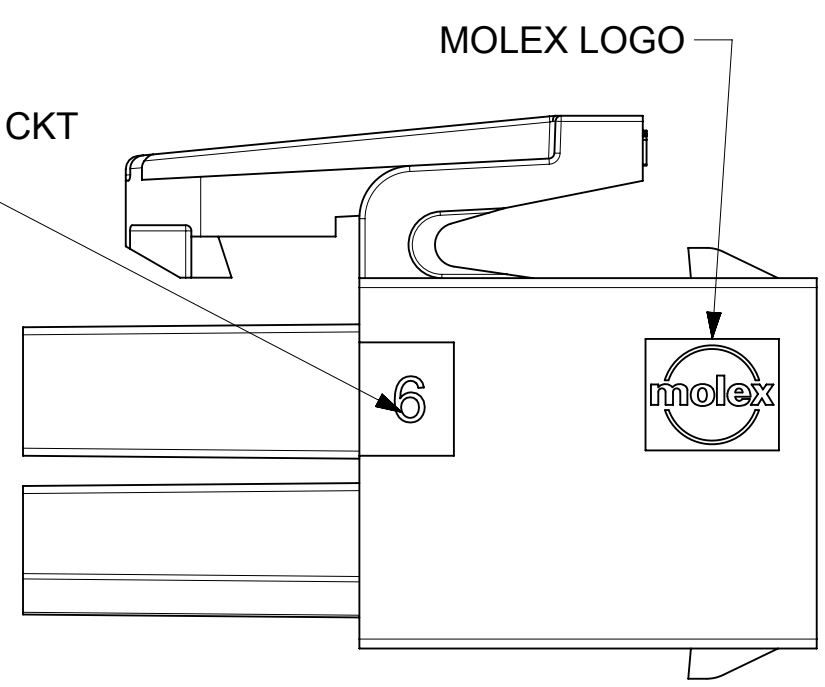
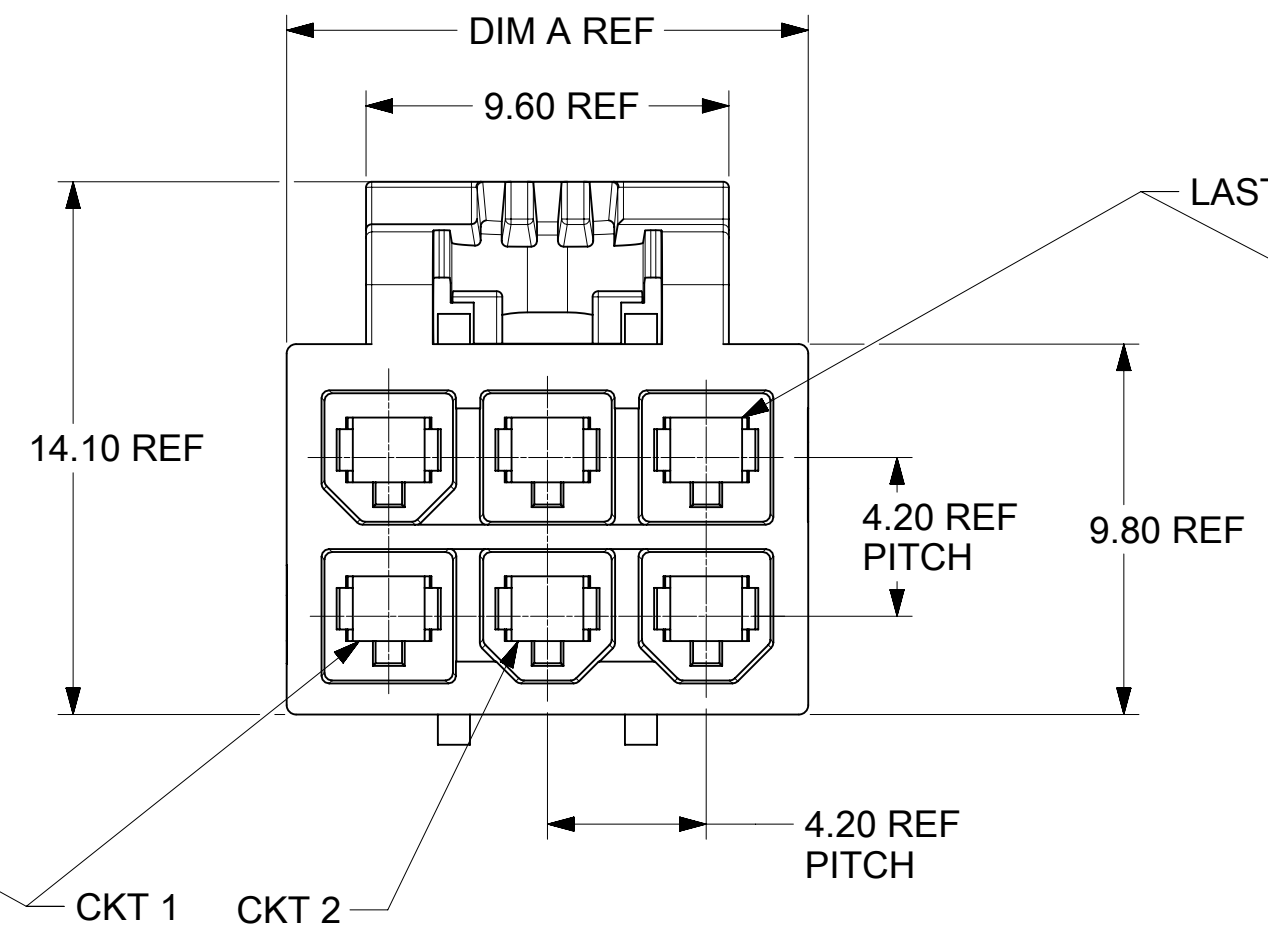
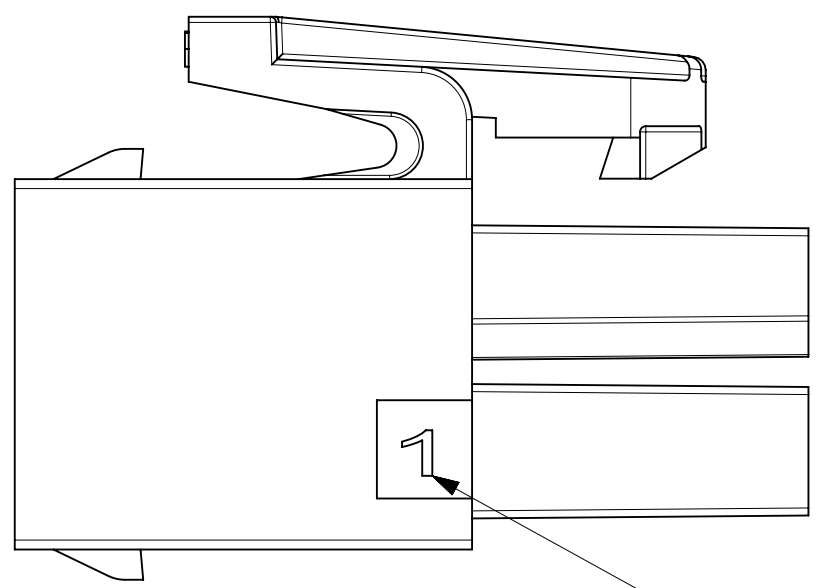
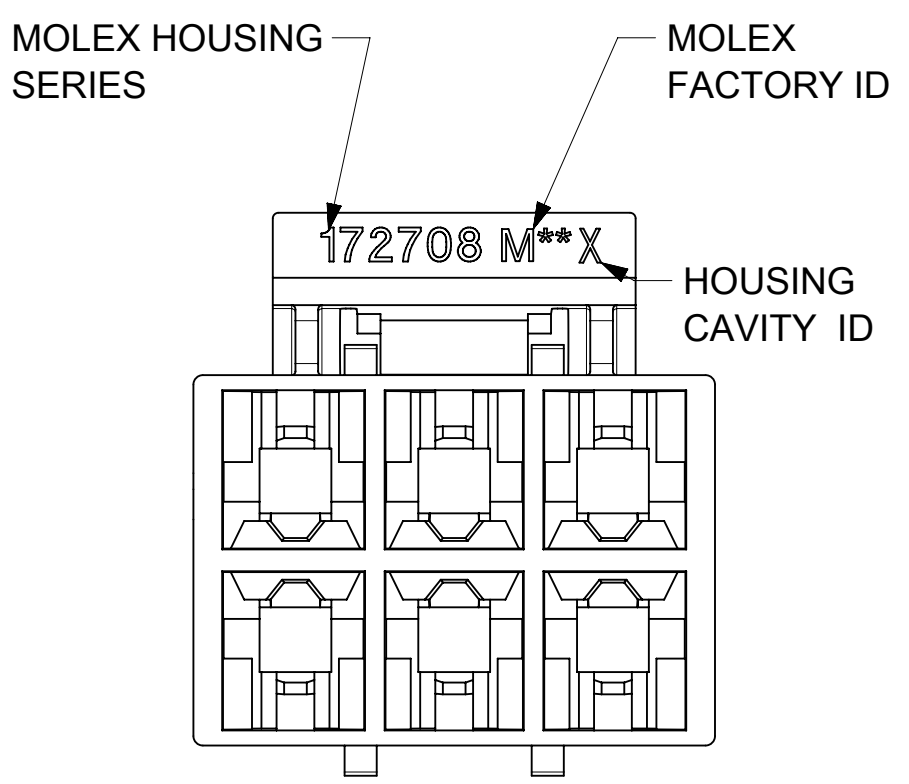


PART NUMBER	CKTS	DIM A
172708-1002	2	9.60
172708-1004	4	9.60
172708-1006	6	13.80
172708-1008	8	18.00
172708-1010	10	22.20
172708-1012	12	26.40
172708-1014	14	30.60
172708-1016	16	34.80
172708-1018	18	39.00



FIRST CKT ID



MOLEX LOGO

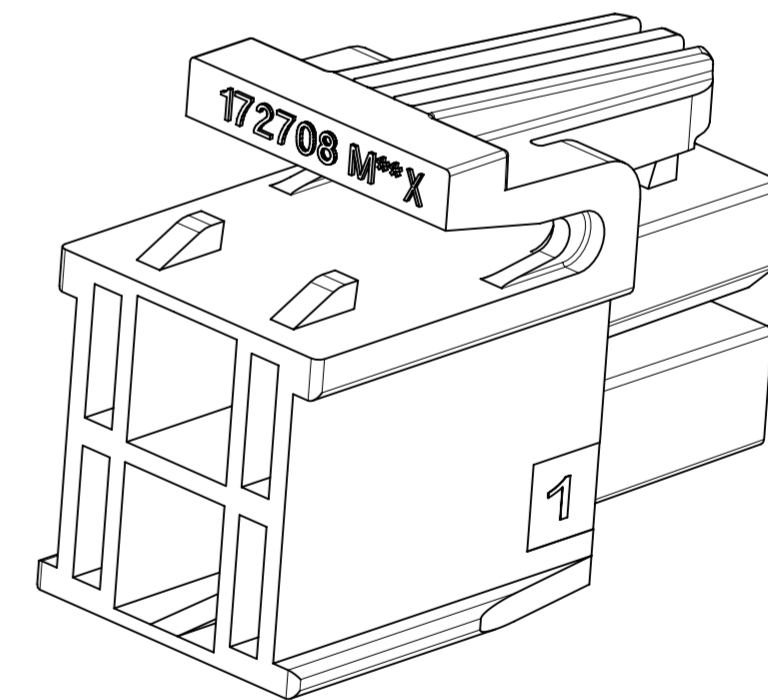
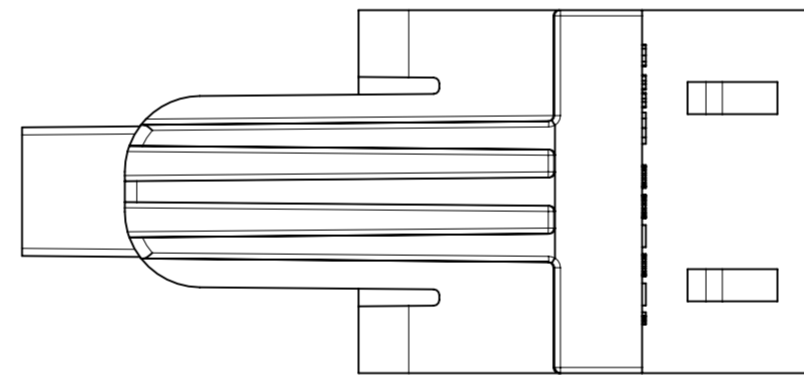
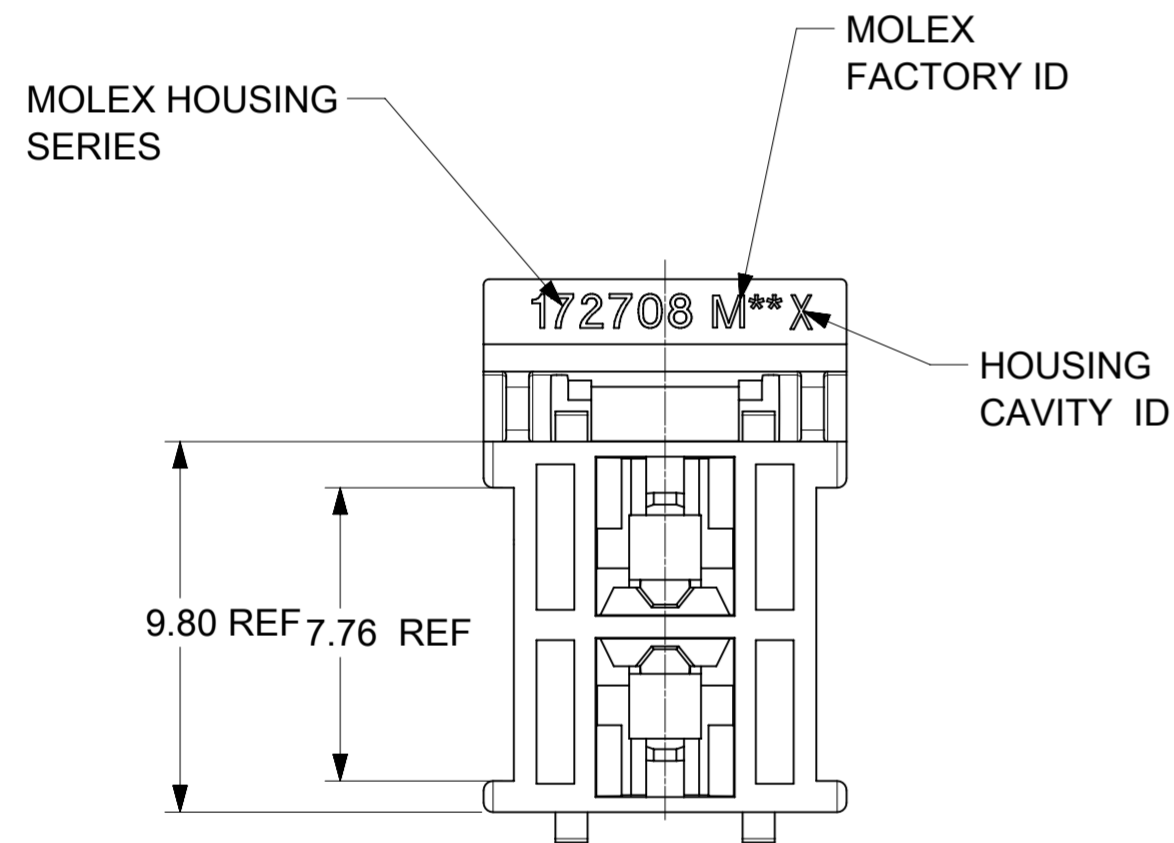
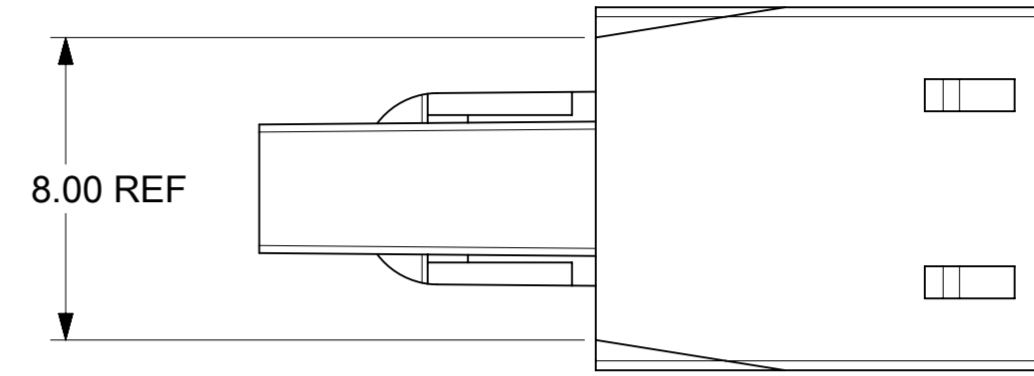
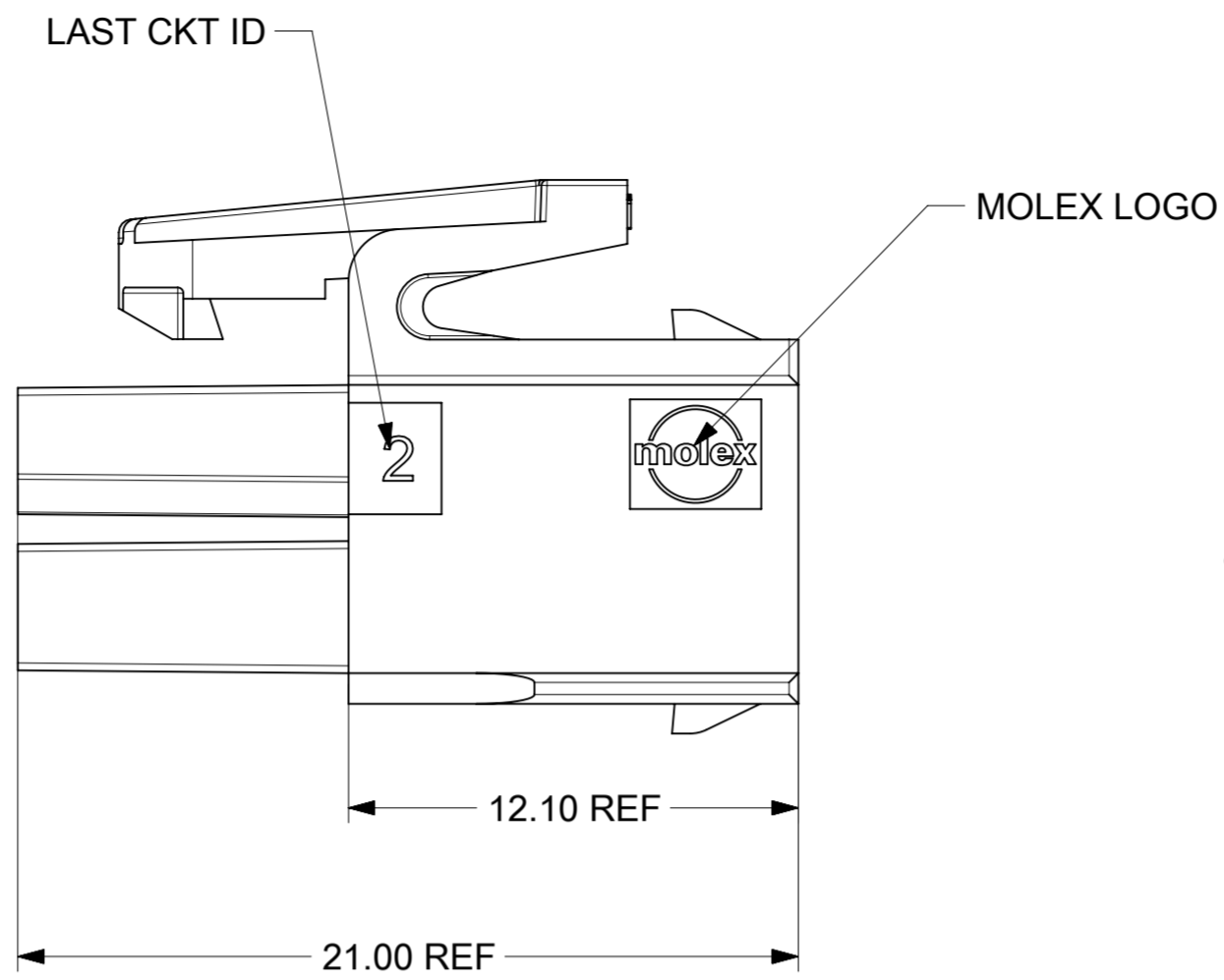
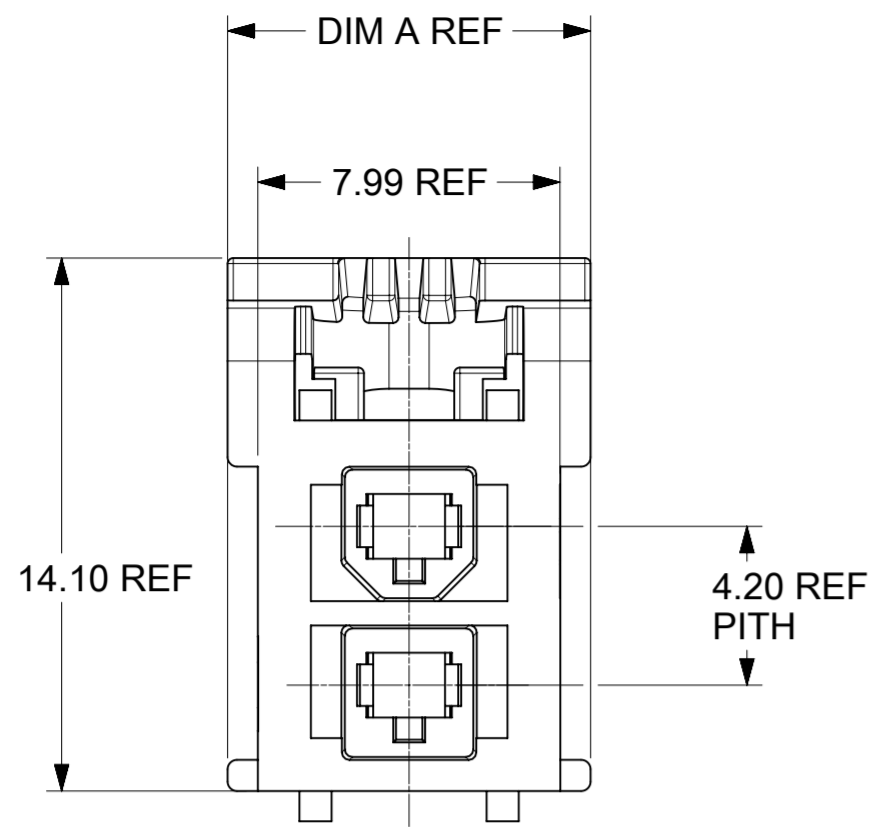
LAST CKT

**NOTES:**

1. MATERIAL:  
NYLON, UL 94V-0 AND GLOW WIRE CAPABLE PER IEC60335-1; COLOR: BLACK
2. FINISH: NONE
3. PRODUCT SPECIFICATION: 2131370000-PS, 2029880002-PS  
APPLICATION SPECIFICATION: 2131370000-AS
4. PACKAGING SPECIFICATION: BULK 1727080002-PK  
REFER TO AS-45499-001 FOR MOISTURIZING NYLON CONNECTOR PARTS.
5. THIS PART TO BE USED WITH MOLEX SERIES.  
FEMALE TERMINAL SERIES: 172718, 202988  
TPA SERIES: 172709-2\*\*\*  
PLUG HOUSING SERIES: 172762-1\*\*\*, 172767-3\*\*\*  
HDR SERIES: 35318,44130,87427,172448,46991,5569,5566,35317,43460,87427,  
172447 AND 46207.
6. THIS PART CONFORMS TO CLASS 'B' REQUIREMENTS OF COSMETIC SPECIFICATION PS-45499-002.
7. SEE DRAWING 1727090002-SD FOR OTHER TPA INFORMATION.
8. SEE DRAWINGS SD-172718-0000 AND 2029880001-PSD FOR OTHER CRIMP TERMINAL INFORMATION.

THIS DRAWING CONTAINS INFORMATION THAT IS PROPRIETARY TO MOLEX ELECTRONIC TECHNOLOGIES, LLC AND SHOULD NOT BE USED WITHOUT WRITTEN PERMISSION

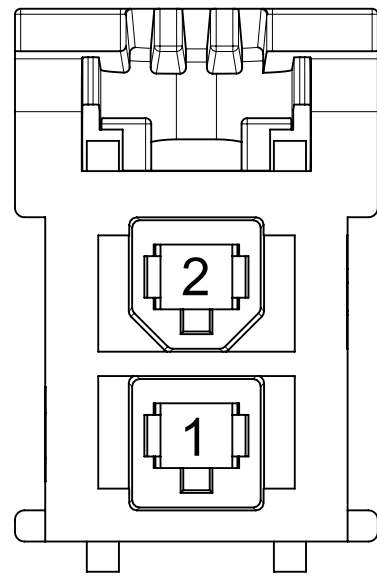
DIMENSION UNITS	SCALE	CURRENT REV DESC:	molex		
mm	NTS		SD-DRAWING OF MINI-FIT SIGMA REC HOUSING		
GENERAL TOLERANCES (UNLESS SPECIFIED)			PRODUCT CUSTOMER DRAWING		
ANGULAR TOL	± °	EC NO: 735375	DOCUMENT NUMBER		
4 PLACES	±	DRWN: XQZHANG 2022/07/08	1727080002-SD		
3 PLACES	±	CHK'D: XQZHANG 2023/02/01	DOC TYPE	DOC PART	REVISION
2 PLACES	± 0.25	APPR: XQZHANG 2023/02/01	PSD	000	C5
1 PLACE	±	INITIAL REVISION:	MATERIAL NUMBER		
0 PLACES	±	DRWN: ALUO02 2019/06/20	SEE TABLE		
DRAFT WHERE APPLICABLE MUST REMAIN WITHIN DIMENSIONS		APPR: AYIN 2019/06/24	CUSTOMER		SHEET NUMBER
THIRD ANGLE PROJECTION		DRAWING	GENERAL MARKET		1 OF 4
C-SIZE		SERIES	172708		



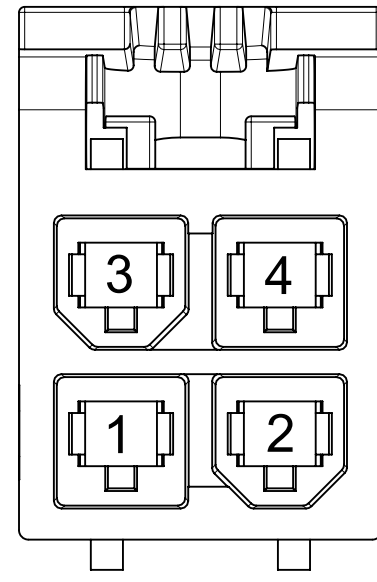
THIS DRAWING CONTAINS INFORMATION THAT IS PROPRIETARY TO MOLEX ELECTRONIC TECHNOLOGIES, LLC AND SHOULD NOT BE USED WITHOUT WRITTEN PERMISSION									
DIMENSION UNITS	SCALE	CURRENT REV DESC:				<b>molex</b>			
mm	NTS								
GENERAL TOLERANCES (UNLESS SPECIFIED)						SD-DRAWING OF MINI-FIT SIGMA REC HOUSING			
ANGULAR TOL	± °					PRODUCT CUSTOMER DRAWING			
4 PLACES	±	EC NO: 735375	2022/07/08		DOCUMENT NUMBER				
3 PLACES	±	DRWN: XQZHANG	2023/02/01						
2 PLACES	± 0.25	CHK'D: XQZHANG	2023/02/01		1727080002-SD				
1 PLACE	±	APPR: XQZHANG	2023/02/01						
0 PLACES	±	INITIAL REVISION:		2019/06/20		DOC TYPE		DOC PART	REVISION
DRAFT WHERE APPLICABLE MUST REMAIN WITHIN DIMENSIONS		DRWN: ALU002	2019/06/24		PSD		000	C5	
		APPR: AYIN	2019/06/24		GENERAL MARKET		SHEET NUMBER		
		THIRD ANGLE PROJECTION	DRAWING	SERIES	MATERIAL NUMBER	CUSTOMER		2 OF 4	
			A2-SIZE	172708	SEE TABLE	GENERAL MARKET		2 OF 4	

DOCUMENT STATUS	P1	RELEASE DATE	2023/02/01	07:45:14
-----------------	----	--------------	------------	----------

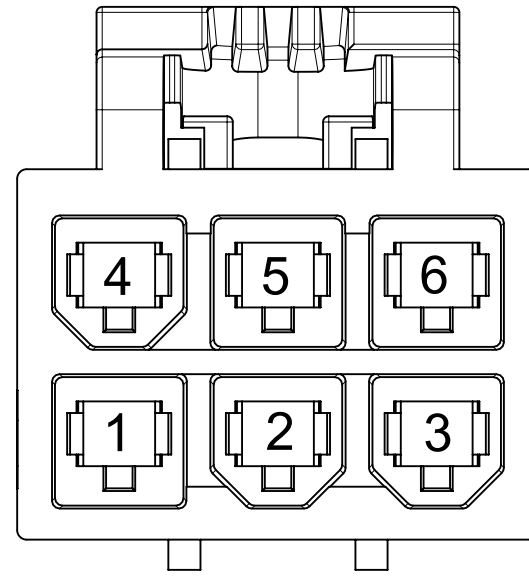
# POLARIZATION DETAIL



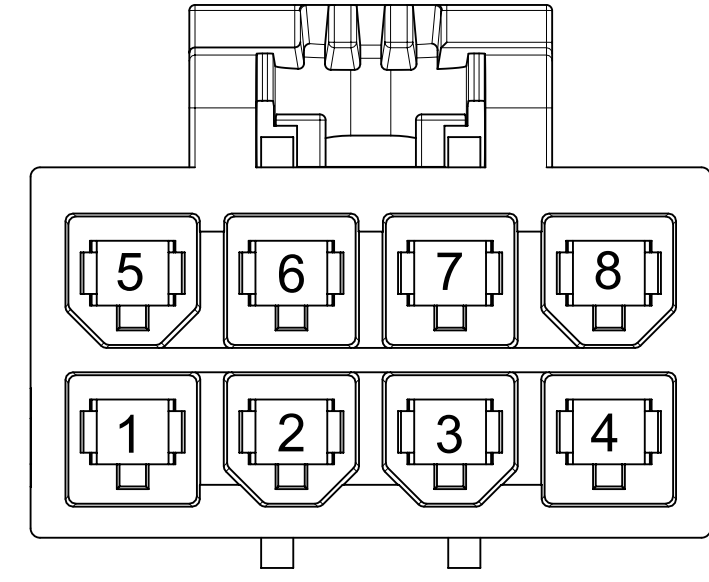
2 CKT



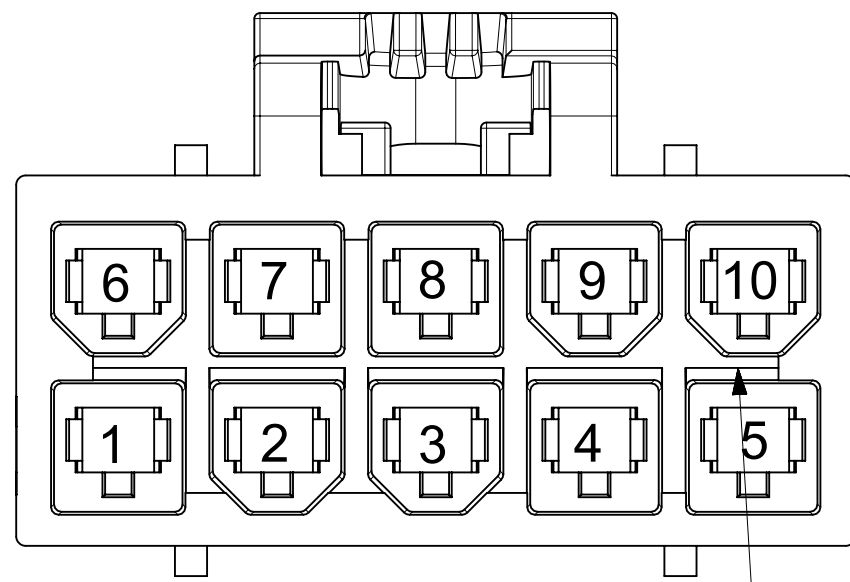
4 CKT



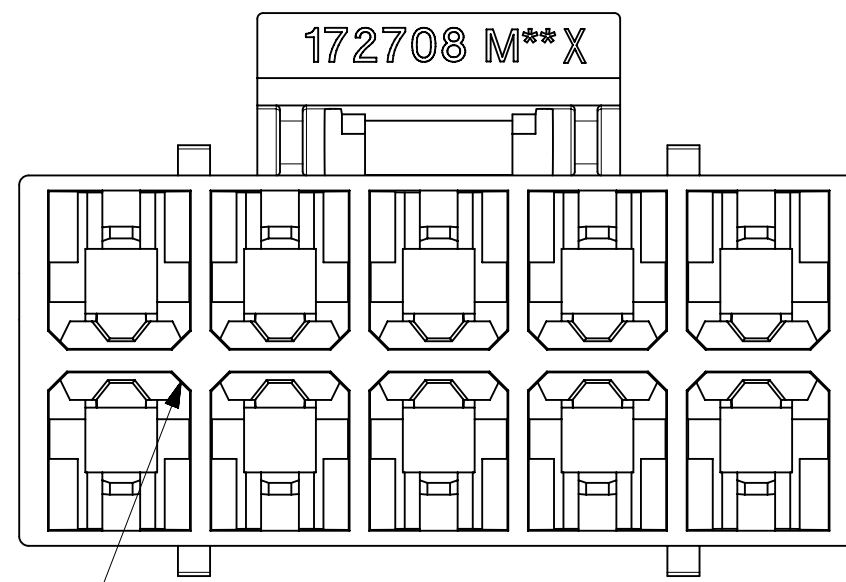
6 CKT



8 CKT

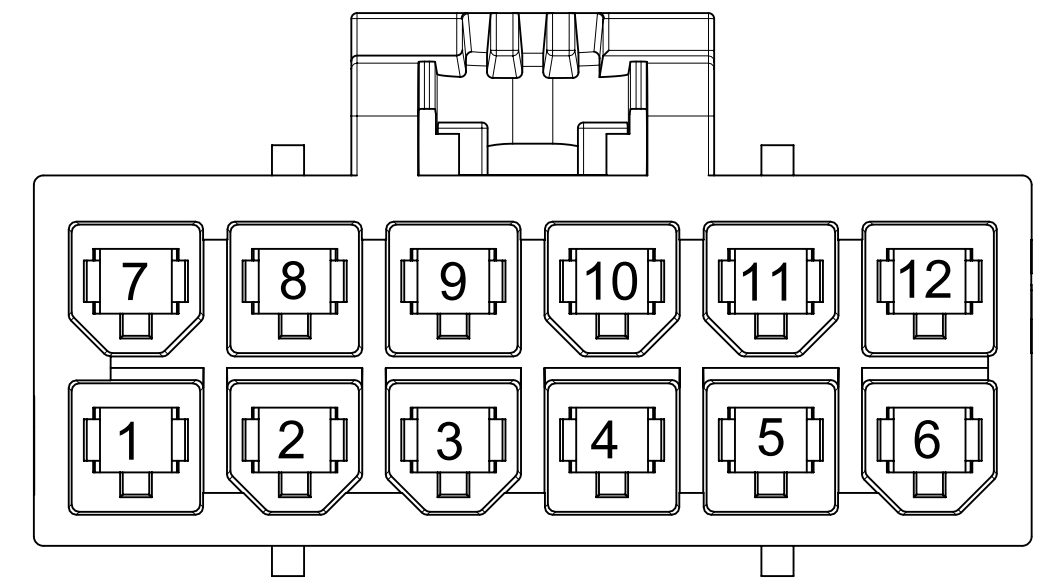


10 CKT



CHAMFER FOR 10-18CKT ONLY

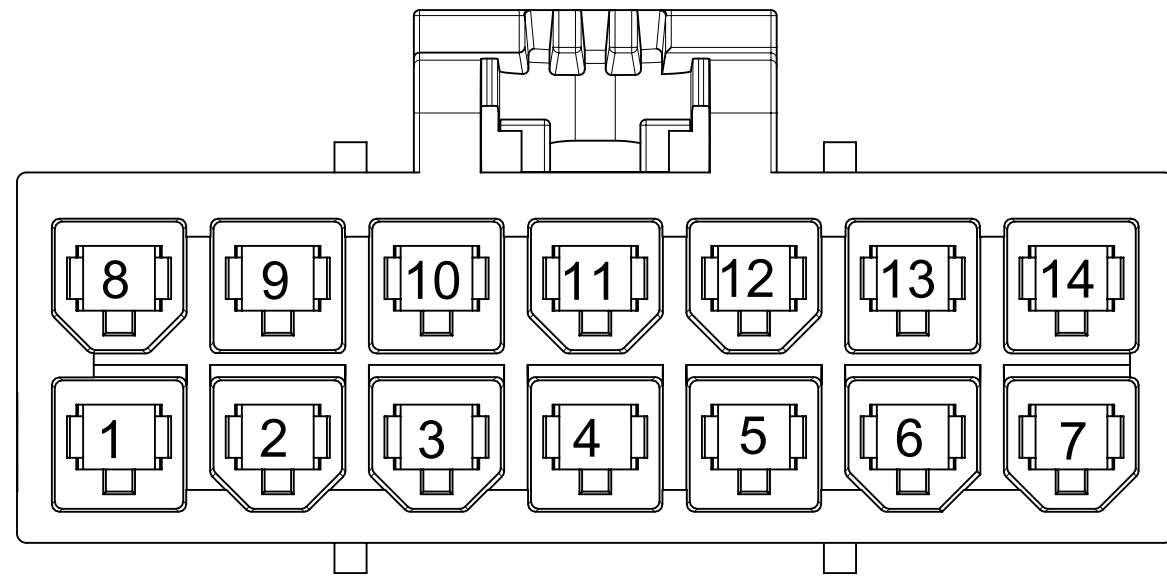
CORE OUT FETURE AT THE BASE OF TOWERS FOR 10-14 CKTS DIFFERS FROM 2-8CKTS



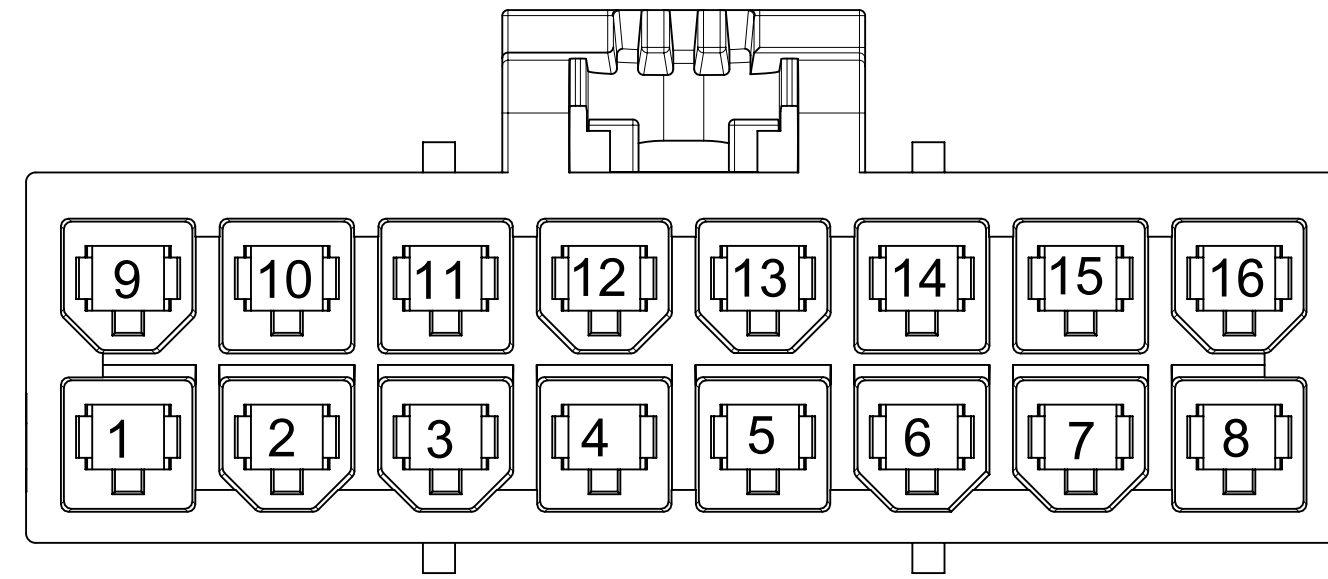
12 CKT

THIS DRAWING CONTAINS INFORMATION THAT IS PROPRIETARY TO MOLEX ELECTRONIC TECHNOLOGIES, LLC AND SHOULD NOT BE USED WITHOUT WRITTEN PERMISSION									
DIMENSION UNITS		SCALE		CURRENT REV DESC:				<b>molex</b>	
mm		NTS							
GENERAL TOLERANCES (UNLESS SPECIFIED)				EC NO: 735375				SD-DRAWING OF MINI-FIT SIGMA REC HOUSING	
ANGULAR TOL ± °				DRWN: XQZHANG 2022/07/08				PRODUCT CUSTOMER DRAWING	
4 PLACES ±				CHK'D: XQZHANG 2023/02/01				DOCUMENT NUMBER	
3 PLACES ±				APPR: XQZHANG 2023/02/01				1727080002-SD	
2 PLACES ± 0.25				INITIAL REVISION:				DOC TYPE	
1 PLACE ±				DRWN: ALUO02 2019/06/20				PSD	
0 PLACES ±				APPR: AYIN 2019/06/24				DOC PART	
DRAFT WHERE APPLICABLE MUST REMAIN WITHIN DIMENSIONS				THIRD ANGLE PROJECTION		DRAWING		REVISION	
				C-SIZE		SERIES		C5	
				172708		MATERIAL NUMBER		SHEET NUMBER	
				SEE TABLE		CUSTOMER		3 OF 4	
				GENERAL MARKET					

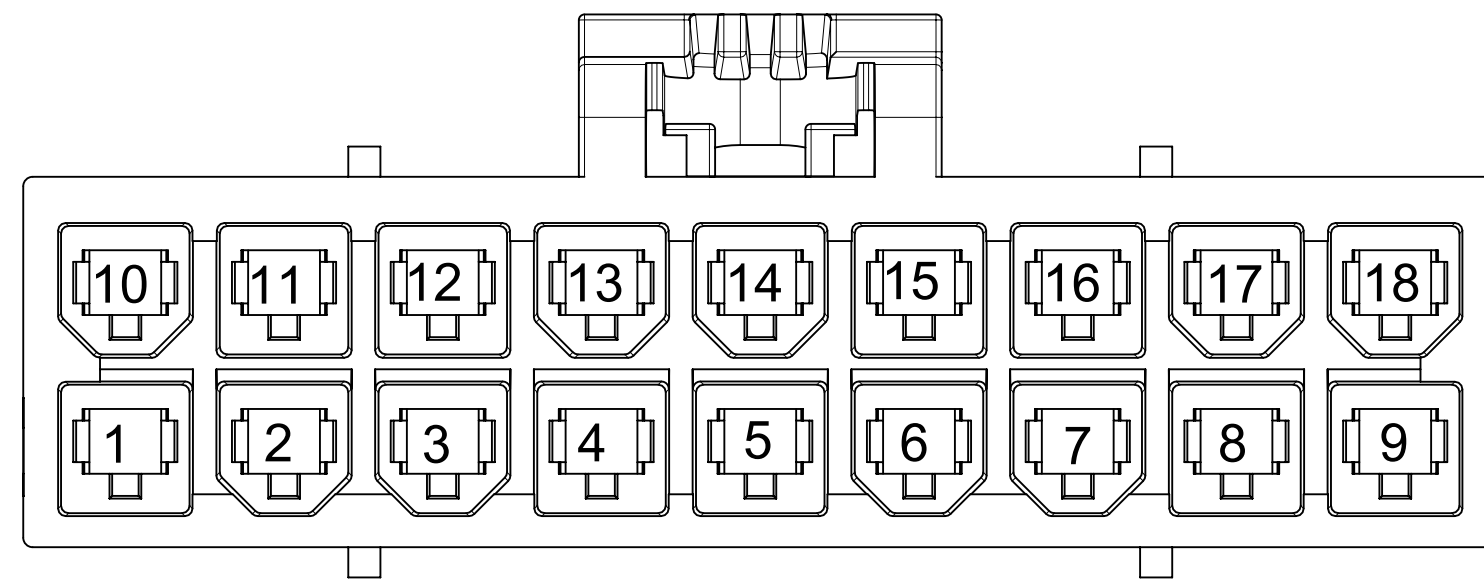
# POLARIZATION DETAIL



14 CKT



16 CKT



18 CKT

THIS DRAWING CONTAINS INFORMATION THAT IS PROPRIETARY TO MOLEX ELECTRONIC TECHNOLOGIES, LLC AND SHOULD NOT BE USED WITHOUT WRITTEN PERMISSION									
DIMENSION UNITS		SCALE		CURRENT REV DESC:					
mm		NTS							
GENERAL TOLERANCES (UNLESS SPECIFIED)				EC NO: 735375 DRWN: XQZHANG 2022/07/08 CHK'D: XQZHANG 2023/02/01 APPR: XQZHANG 2023/02/01				SD-DRAWING OF MINI-FIT SIGMA REC HOUSING	
ANGULAR TOL ± °								PRODUCT CUSTOMER DRAWING	
4 PLACES ±				INITIAL REVISION: DRWN: ALUO02 2019/06/20 APPR: AYIN 2019/06/24				DOCUMENT NUMBER	
3 PLACES ±								1727080002-SD	
2 PLACES ± 0.25				THIRD ANGLE PROJECTION 				GENERAL MARKET	
1 PLACE ±								C-SIZE	
0 PLACES ±				DRAWING		SERIES		SHEET NUMBER	
DRAFT WHERE APPLICABLE MUST REMAIN WITHIN DIMENSIONS				C-SIZE		172708		4 OF 4	

DOCUMENT STATUS	P1	RELEASE DATE	2023/02/01	07:45:14
-----------------	----	--------------	------------	----------