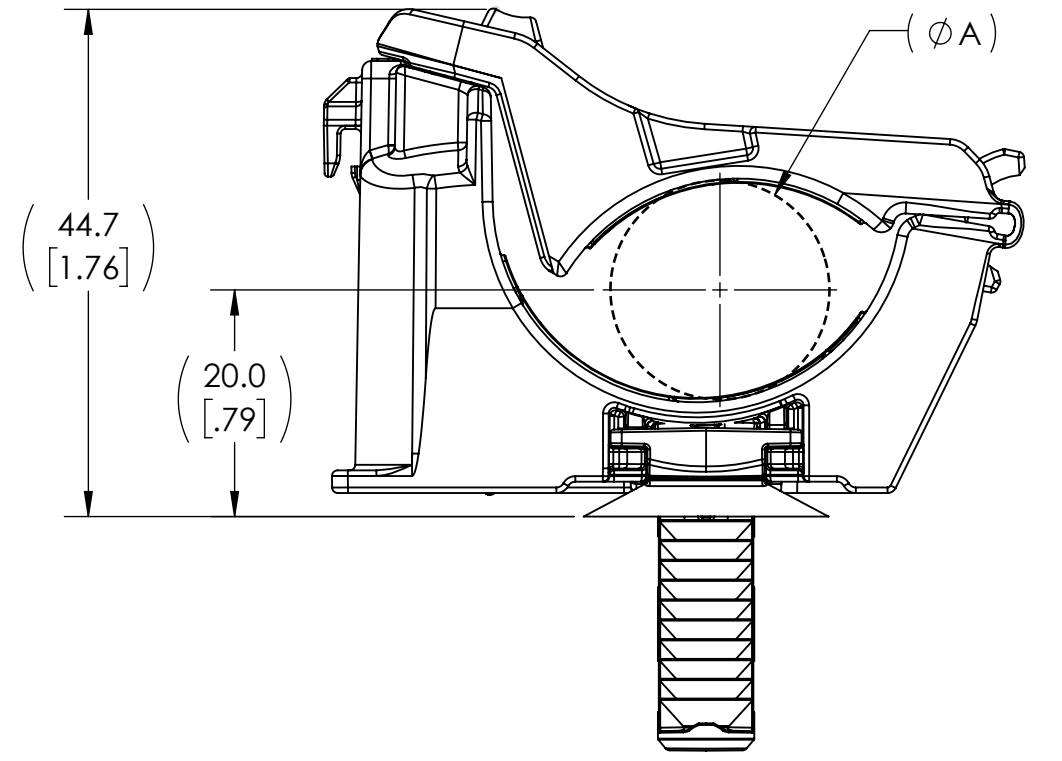
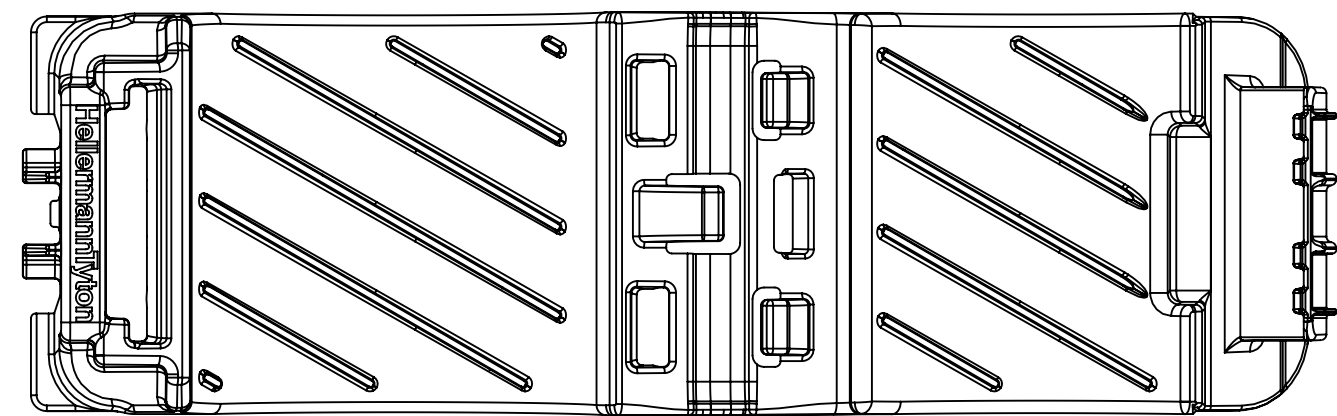
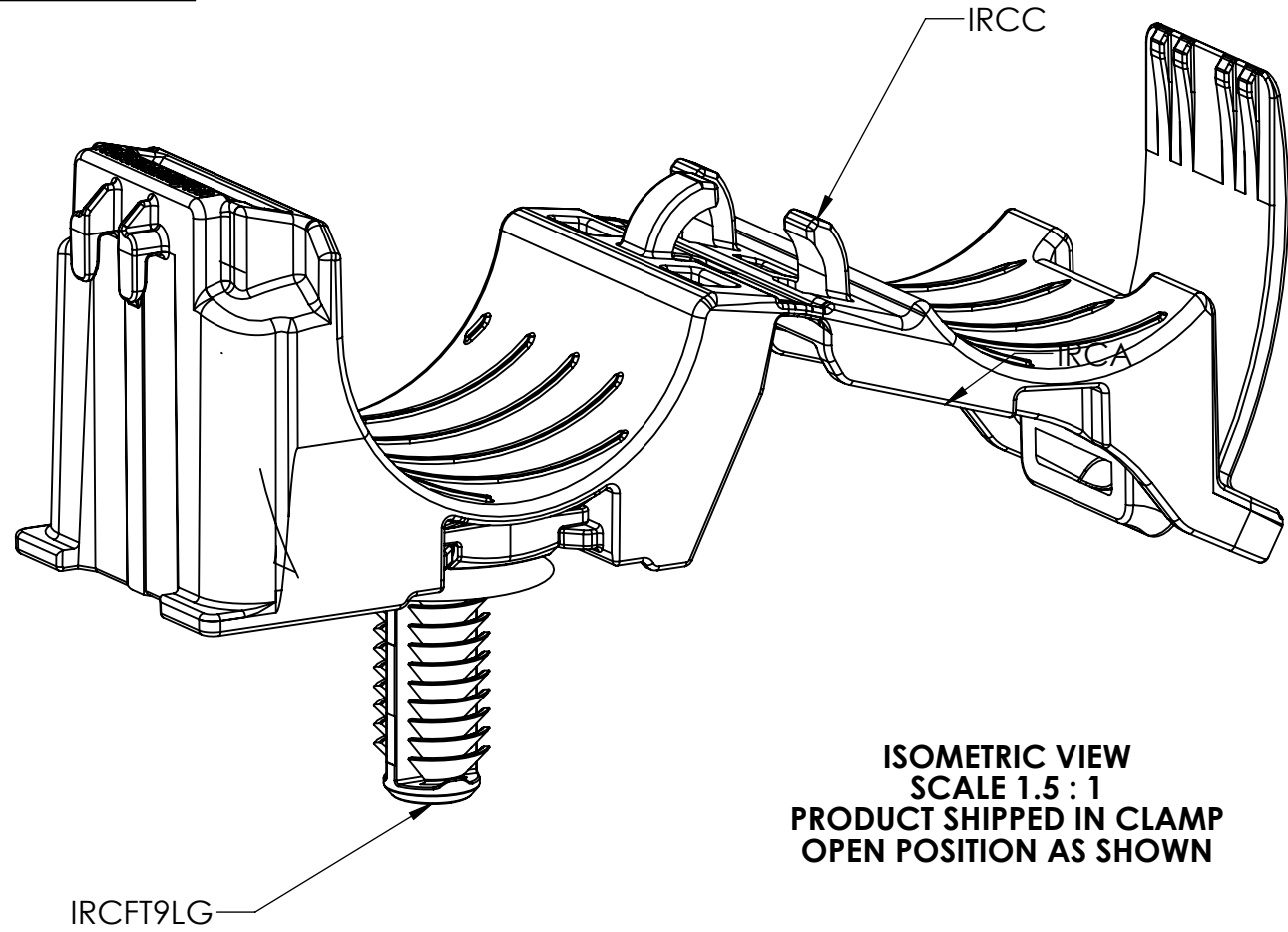
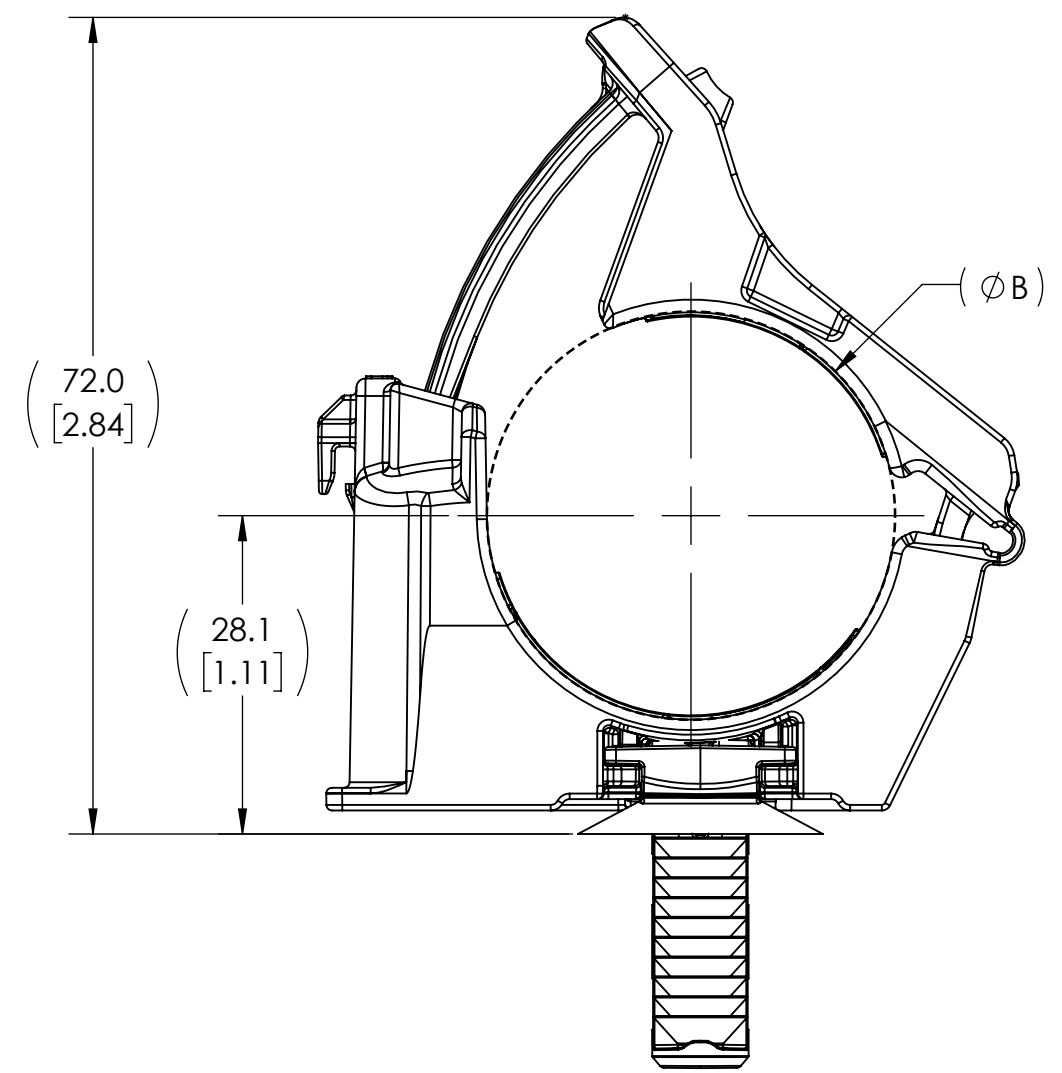
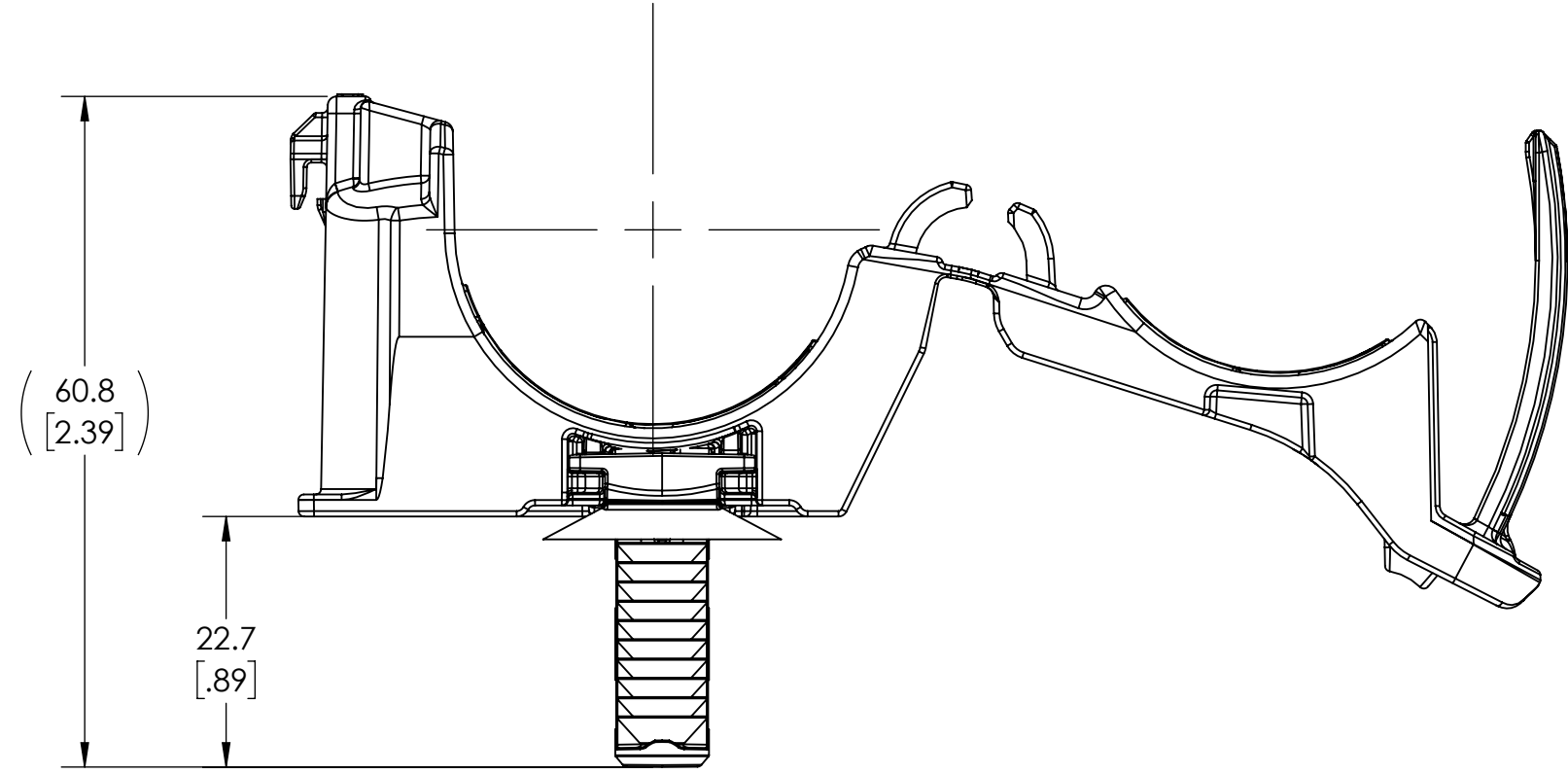
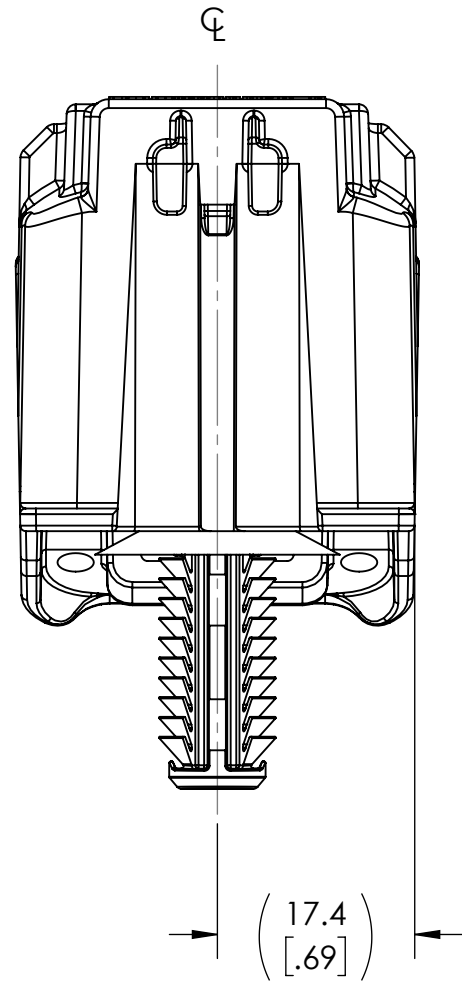


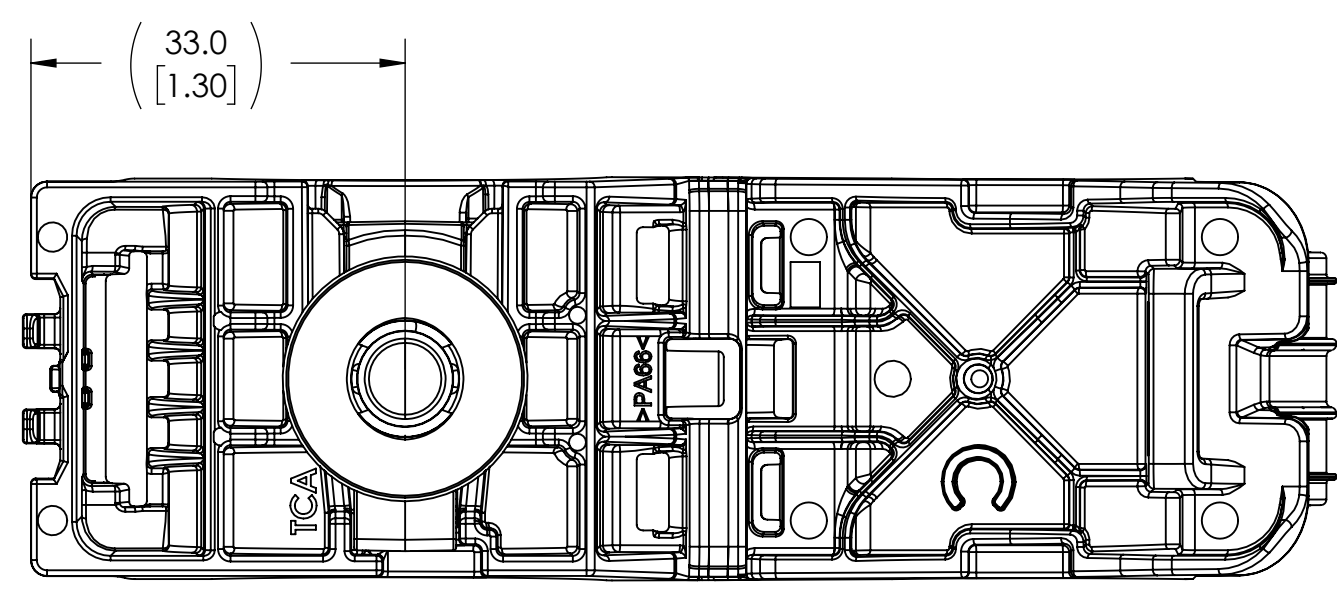
Revision level			Revision Record	Changed	Date	Approved	Date
Drawing	State	Part					
00.0	Design Release		SEE ECN# 015255	MHT	06/28/2019	CTF	06/28/2019



MINIMUM BUNDLE DIAMETER



MAXIMUM BUNDLE DIAMETER



- REFERENCE:**
- SHEET METAL THICKNESS RANGE: 0.6mm - 12.7mm
  - APPLICABLE HOLE SIZE:  
A. 9.0mm +/-0.4

GLOBAL PART DESCRIPTION	BUNDLE TYPES	(A) MINIMUM DIAMETER	(B) MAXIMUM DIAMETER	IRCC CLAMP			IRCFT9LG CONNECTOR CLIP		
				DRAWING	MATERIAL	COLOR	DRAWING	MATERIAL	COLOR
IRCCFT9LG-PA66HIRHSUV-BK	SOFT	19.4 [.76]	36.0 [1.42]	16-1641-003-CSU	PA66HIRHSUV	BLACK	16-1645-050-CSU	PA66HIRHSUV	BLACK
	HARD	18.6 [.73]	35.2 [1.39]						

Notes	Material	Units: millimeters	The copyright of this drawing is reserved by HellermannTyton. It is issued on condition that it is not reproduced, copied, or disclosed to a third party, either wholly or in part, without the consent of HellermannTyton.	Drawn	MHT	06/24/2019	Article/Type-No	IRCCFT9LG		Scale	3:2	
	SEE CHART	Dimension without tolerances details to: .xxx = ±.013 .xx = ±.13 .x = ±.3 None = ±.8 < = ±0.5* Dimension Formatted mm{in}		Approved	CTF	06/24/2019	Title	INLINE RATCHET P-CLAMP C WITH 9mm LONG FIR TREE		Project Number	PRP19-0331	
				HellermannTyton North America Email: corp@htamericas.com Web: www.hellermann.tyton.com			Drawing-No	19-0331-103-CSU		Production : Phase	Format	C
									Sheet	1/1		