

(A)
PART NUMBER LEGEND
W03007K05M010

FINISHED LENGTH
M005 = 0.5 METER
M010 = 1 METER
M100 = 10 METER

PART NO	ENGINEERING NO.	FINISHED LENGTH
1200790225	W03007K05M010	1M [3FT 3 IN]
1200790228	W03007K05M050	5M [16FT 5 IN]
1200790230	W03007K05M100	10M [32FT 10 IN]

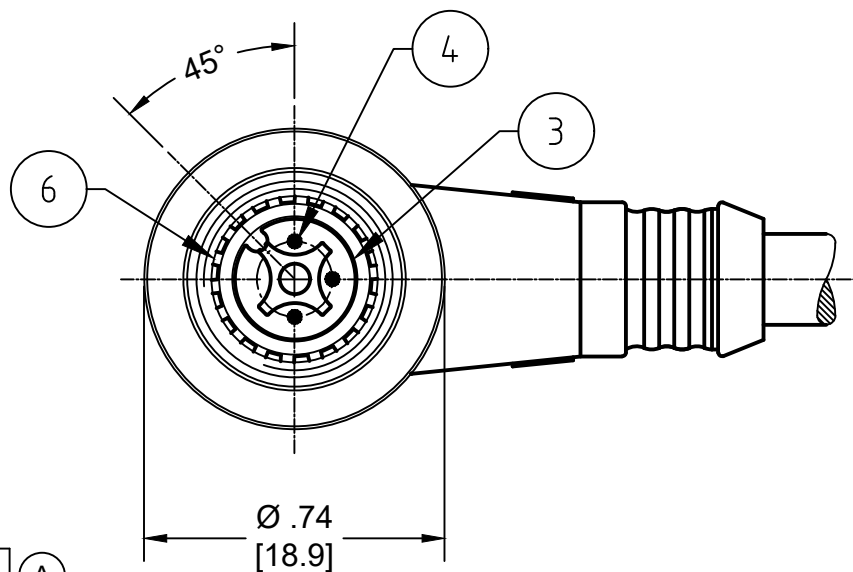
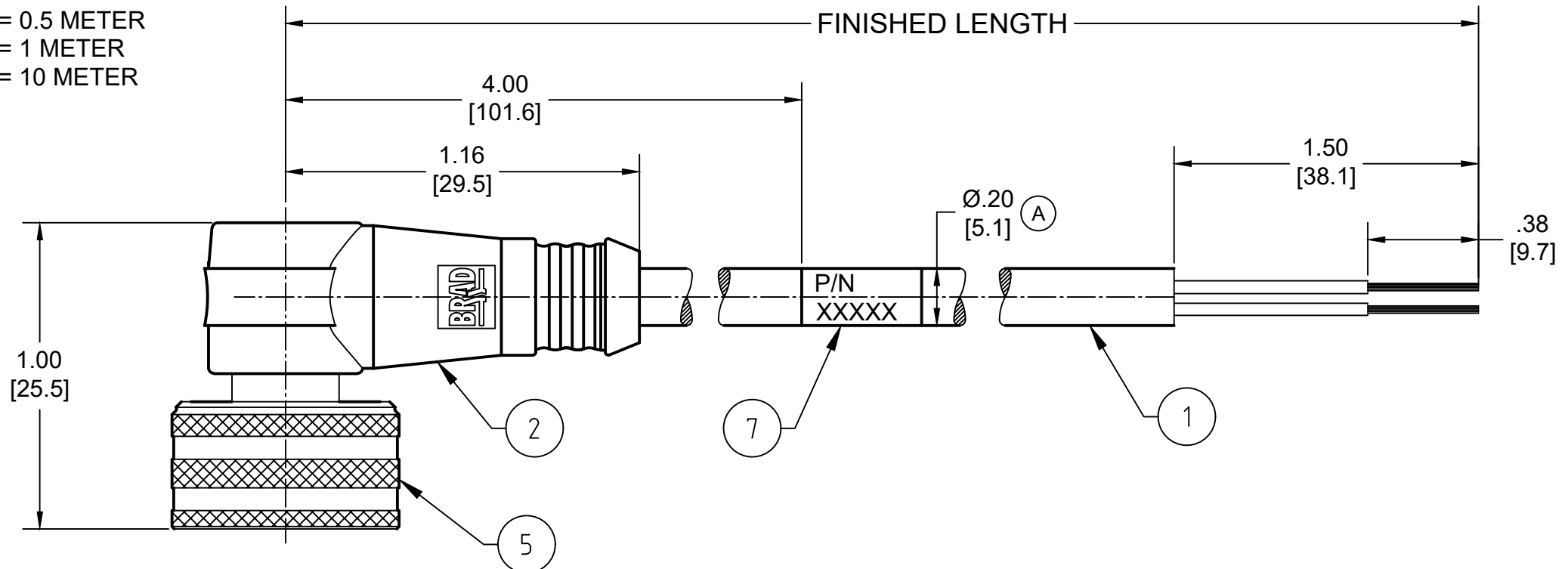
NOTES:

- MATERIAL: AS NOTED
- FINISH: AS NOTED
- ELECTRICAL:
VOLTAGE: 250V
CURRENT: 4A
- TEMP RATING: -20°TO +105°C (A)
- PROTECTION: IP67/69K (WHEN MATED)
- CSA CERTIFIED FILE: LR6837 (A)
- ALL DIMENSIONS ARE FOR REFERENCE UNLESS TOLERANCED OR NOTED OTHERWISE

MECHANICAL CHARACTERISTICS: (A)

TORSIONAL FLEX TEST	10 MILLION CYCLES PER MIL-C-13777G
BEND FLEX TEST	10 MILLION CYCLES PER MIL-C-13777G
WELD SLAG RESISTANCE	WOODHEAD STANDARD S-300

ITEM	DESCRIPTION	MATERIAL	FINISH
7	WRAP LABEL	VINYL	BLACK/YELLOW
6	O-RING	VITON	GREEN
5	COUPLER	BRASS	NICKEL PLATED
4	CONTACT PIN	COPPER ALLOY	GOLD OVER NICKEL
3	INSERT	PUR	BLACK
2	OVERMOLD	TPC	YELLOW
1	#22/3 CABLE	TPE JACKET	YELLOW



(A)

CABLE LENGTH TOLERANCES

<.3M [1FT]:	+19mm-0 [+ .75in-0]
.3 - .9M [1 - 3FT]:	+44.5mm-0 [+1.75in-0]
.9 - 1.8M [3 - 6FT]:	+55.6mm-0 [+2.19in-0]
1.8 - 3.7M [6 - 12FT]:	+88.9mm-0 [+3.50in-0]
3.7 - 7.3M [12 - 24FT]:	+165.1mm-0 [+6.50in-0]
7.3-14.6M [24 - 48FT]:	+317.5mm-0 [+12.50in-0]
14.6 - 30.5M [48-100FT]:	+622.3mm-0 [+24.50in-0]
OVER 30M [100FT]:	+2% OF FINISHED LENGTH

FUNCTIONAL SYMBOLS	THIS DRAWING CONTAINS INFORMATION THAT IS PROPRIETARY TO MOLEX ELECTRONIC TECHNOLOGIES, LLC AND SHOULD NOT BE USED WITHOUT WRITTEN PERMISSION	
FA=0	DIMENSION UNITS	SCALE
FB=0	INCH/MM	NTS
FC=0	GENERAL TOLERANCES (UNLESS SPECIFIED)	
DIVISIONAL SYMBOLS	mm	INCH
	4 PLACES ±----	±----
	3 PLACES ±----	±----
	2 PLACES ±----	±----
	1 PLACE ±----	±----
	0 PLACES ±----	±----
	ANGULAR TOL ± --- °	
	DRAFT WHERE APPLICABLE MUST REMAIN WITHIN DIMENSIONS	THIRD ANGLE PROJECTION
		DRAWING
		SERIES
		MATERIAL NUMBER
		CUSTOMER
		SHEET NUMBER

EC NO: 702709	DRWN: ABENJAMINLW	2021/07/02		
CHK'D: RSTONE	2022/04/11			
APPR: BWOODMAN	2022/04/16			
INITIAL REVISION:			MICRO-CHANGE ULTRA LOCK, M12 3-POLE, MALE, 90DEG, SINGLE KEY, #22 AWG TPE HI-FLEX	
DRWN: LSTEMMLE	2010/02/12			
APPR: FPACHER	2010/02/15		PRODUCT CUSTOMER DRAWING	
DOCUMENT NUMBER		DOC TYPE	DOC PART	REVISION
SD-120079-032		PSD	001	A
SEE CHART		GENERAL MARKET		1 OF 1