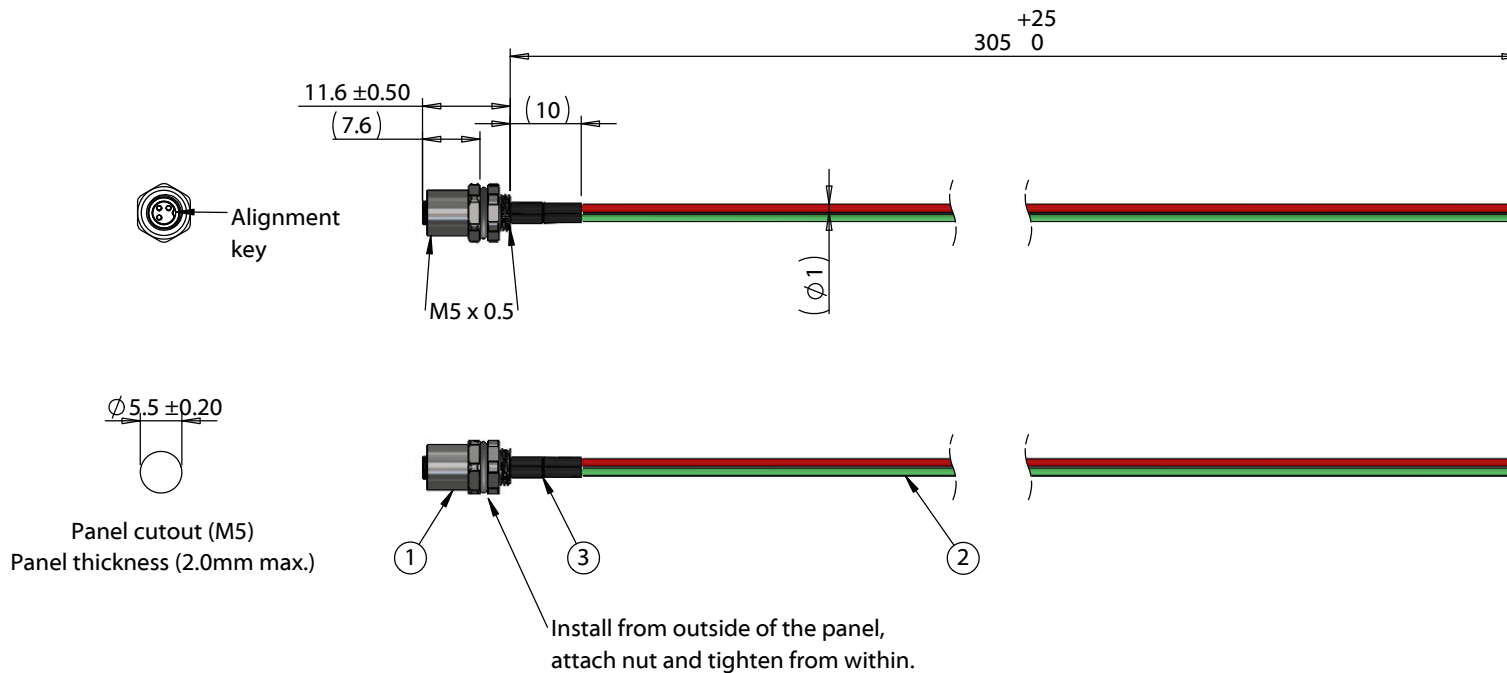


ITEM NO.	PART NUMBER	DESCRIPTION	QTY.	COMPONENT NOTES
1	54-00102	Connector, 3 pin M5 socket, 5xL13.7mm, gold plated, panel mount, solder cup, IP67	1	nut and o-ring included
2	Wire	Wire, hook-up, TS, 26 AWG, UL 11028, 600V, 105C, 1 mm, mPPE	3	color: red, green, white
3	Heat shrink	Heat shrink, UL, black	3	covers solder joints



**Notes:**  
 Cable rated for 60 V, 1 A  
 Temperature: -40 ~ 85 °C

IP67 waterproof rating when mated with corresponding (IP67) connector and installed properly in panel

Cables individually packaged in PE bag  
 Functionally equivalent components may be substituted

Wiring Diagram	
54-00102	wire color (P/N)
1	red (30-01772)
3	green (30-01777)
4	white (30-01774)

Revision:	Date:	Description:	Prepared:	Notes: RoHS compliant	<h1>TENSILITY</h1> <p>tel 1.541.323.3228 800 877.670.7118          fax 1.541.323.4202 web tensility.com</p>
A	4/21/2021	Initial release	Verified:		
			Dimensions are in millimeters. Tolerances: X: ± 0.5 mm X.X: ± 0.3 mm X.XX: ± 0.05 mm	Description: Cable, 305 mm, M5 3C socket panel mount 54-00102 to blunt cut, 26 AWG, UL 11028 hook-up wire	Size: A
					Part number: <b>10-04043</b>
					Scale: 1:1
					Sheet 1 of 1