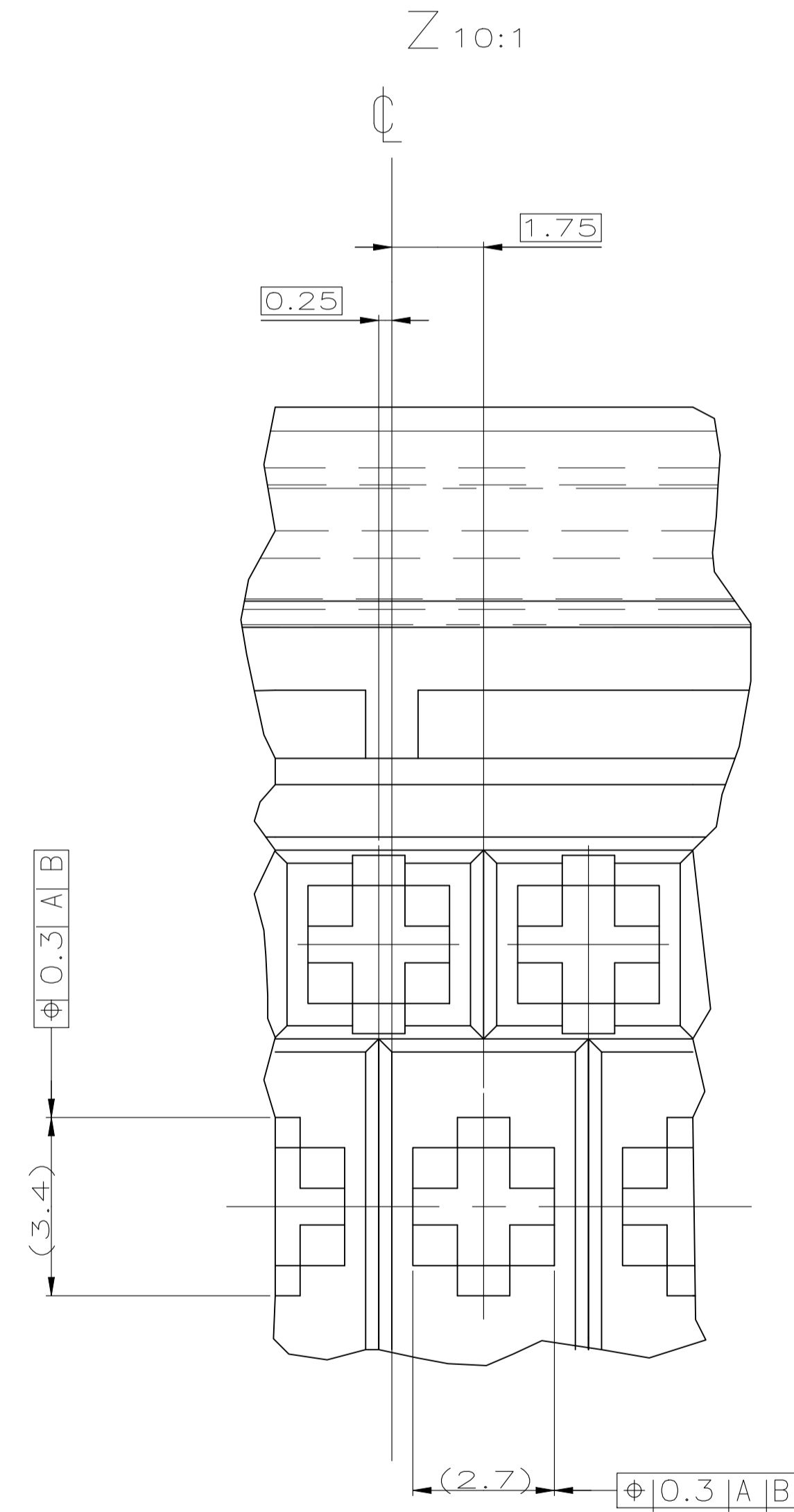
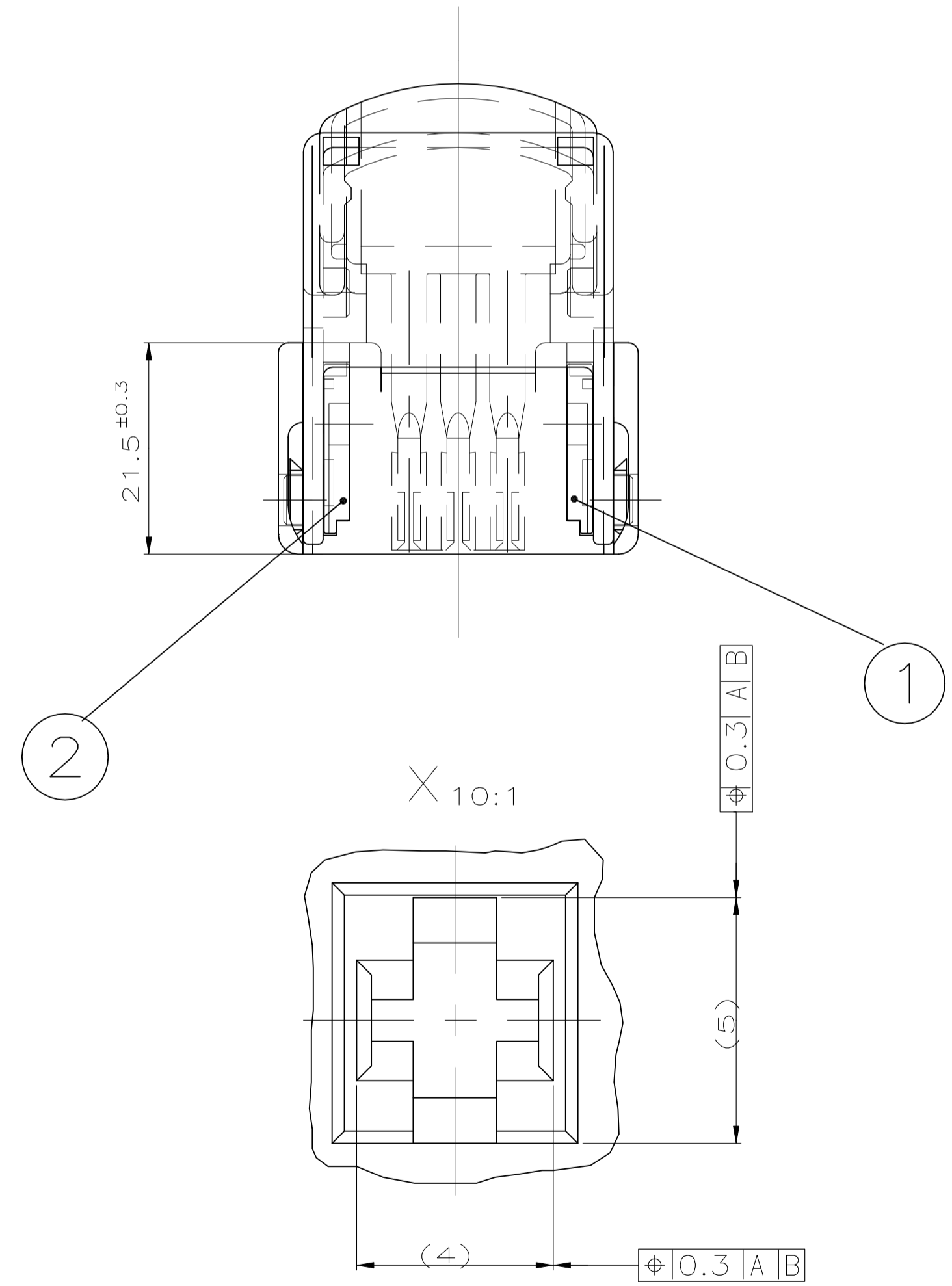
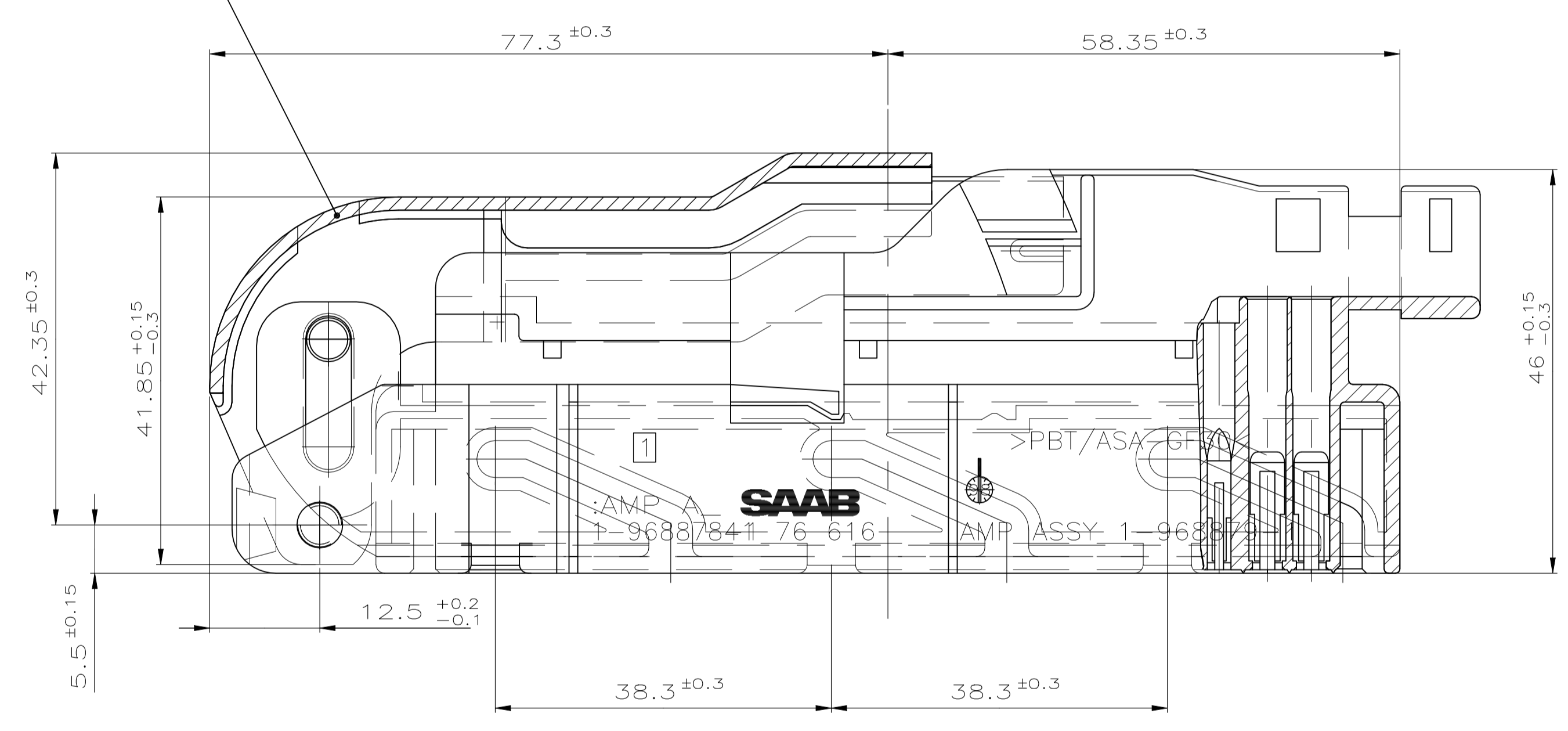
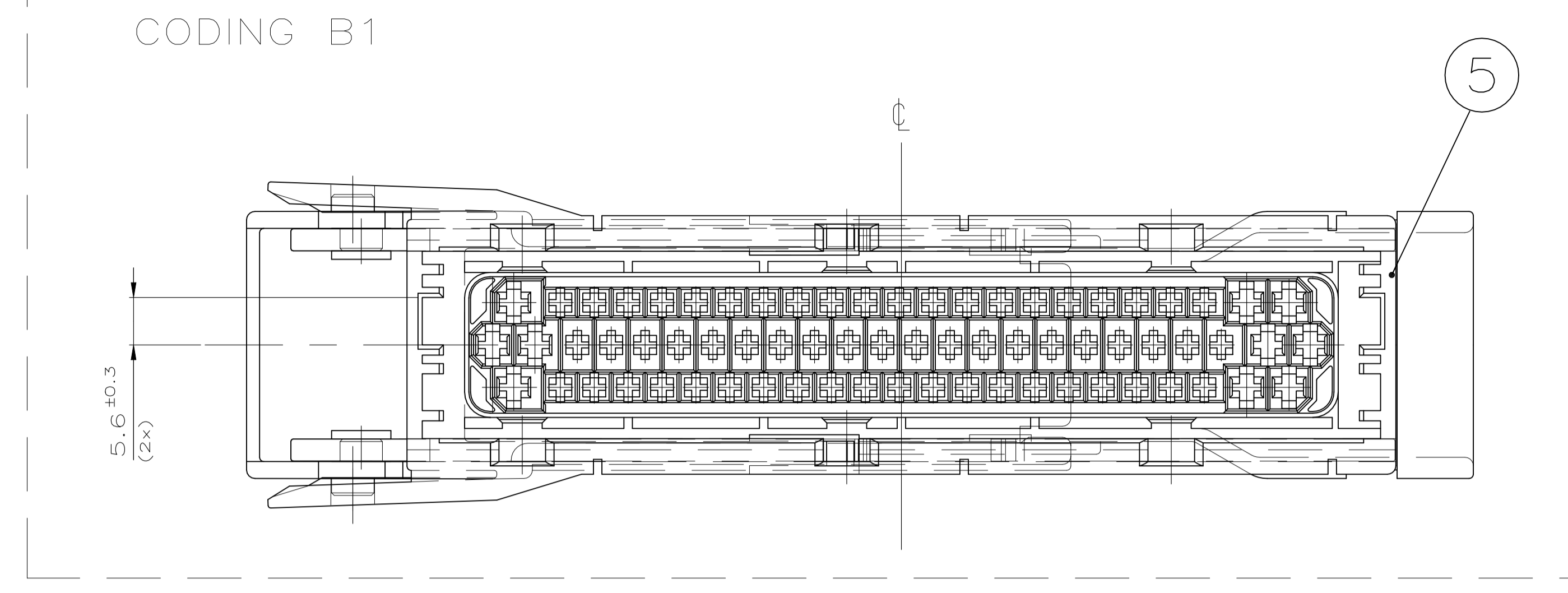
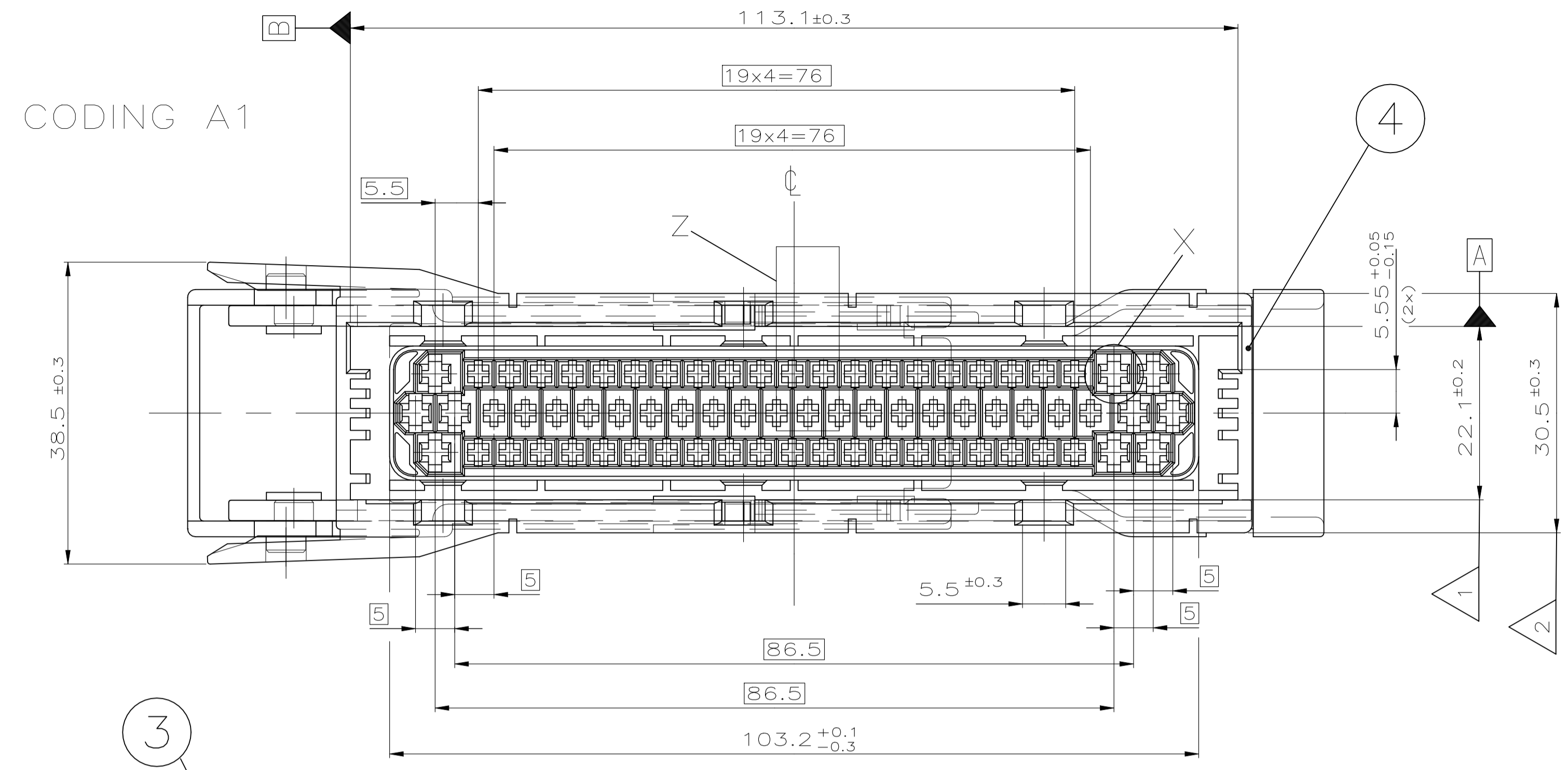
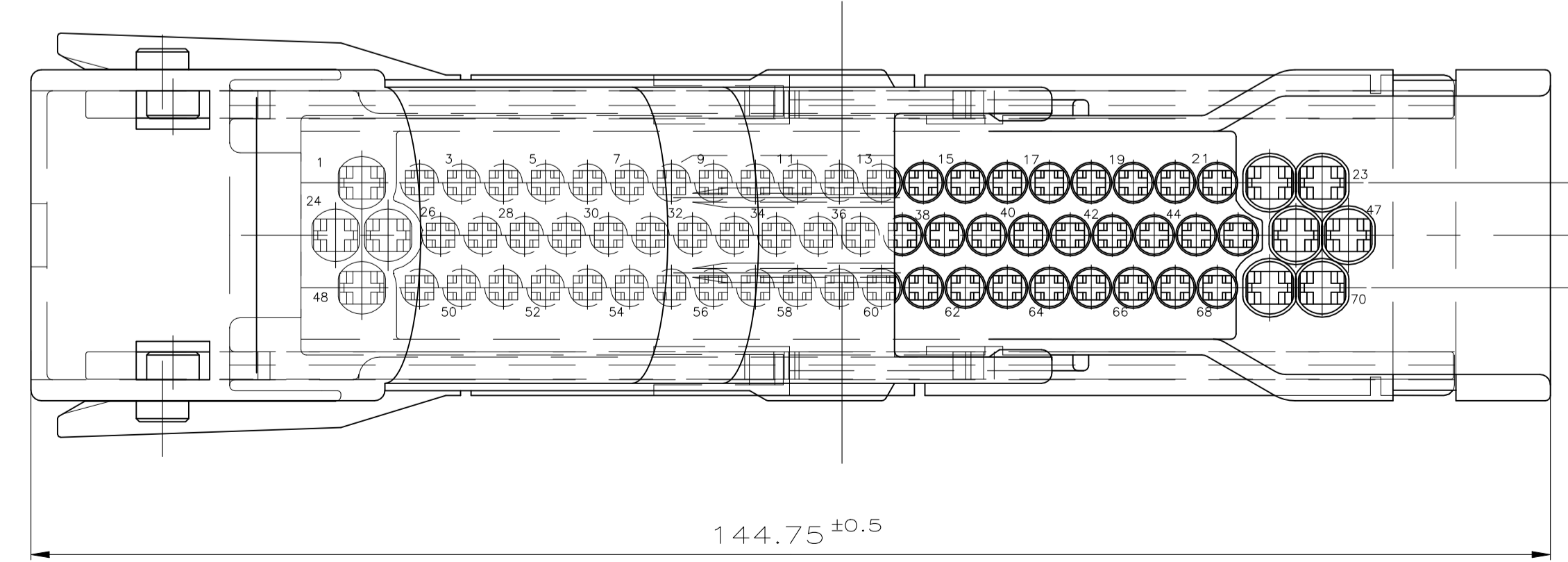


PROJECT NR. / A90-52062		REVISIONS / ANÄNDERUNGEN			
REV.	DESCRIPTION / BESCHREIBUNG	DATE	DRN	APVD	
A4	REVISED PER ECR-11-025934	29DEC11	RK	HMR	
A5	PN 2-968879-1 IS OBSOLETE	02SEP2020	JPN	KPY	



- Bemerkungen / NOTES
- 1 Zulässiger Einfall 21.7 mm / COLLAPS ALLOWABLE 21.7 mm
 - 2 Zulässiger Einfall 29.4 mm / COLLAPS ALLOWABLE 29.4 mm



CUSTOMER PART NO.	TE CONNECTIVITY PART NO.	REV.	PCS.	MATERIAL	SURFACE COLOR	DESCRIPTION	ITEM NO.
OBSOLETE	2-968879-1	A	1	PBT-GF30	GREY	70 POS. REC. HSG., CODE B1	5
			1	PBT-GF30	BLACK	LOCKING CLIP	3
			1	PBT-GF30	RED	SLIDE (LEFT POSITION)	2
			1	PBT-GF30	RED	SLIDE (RIGHT POSITION)	1
			1	PBT-GF30	BLACK	70 POS. REC. HSG., CODE A1	4
			1	PBT-GF30	BLACK	LOCKING CLIP	3
	1-968879-1	A	1	PBT-GF30	BLACK	LOCKING CLIP	2
			1	PBT-GF30	RED	SLIDE (LEFT POSITION)	3
			1	PBT-GF30	RED	SLIDE (RIGHT POSITION)	1

THIS DRAWING IS A CONTROLLED DOCUMENT.
DIESE ZEICHNUNG IST EIN KONTROLLIERTES DOKUMENT.

DIMENSIONS: mm / MASSSTÄBE: mm

TOLERANCES UNLESS OTHERWISE SPECIFIED: mm / TOLERANZEN UNLESS OTHERWISE SPECIFIED: mm

MATERIAL: - / FINISH / OBERFLÄCHE / FARBE: -

DIN A MACHILL 07-APR-97	TE Connectivity
DRW M. KRESSMANN 08-APR-97	70 POS. MIXED REC. HOUSING ASSY. (60 x MT2 + 10 x JPT)
PRODUCT SPEC: -	SIZE: A1
APPLICATION SPEC: -	CAGE CODE: 00779
WEIGHT: -	DRAWING NO: 968879
CUSTOMER DRAWING / KUNDENZEICHNUNG	SCALE: 2:1
	SHEET 1 OF 1
	REV A5