

THIS DRAWING IS UNPUBLISHED.

RELEASED FOR PUBLICATION

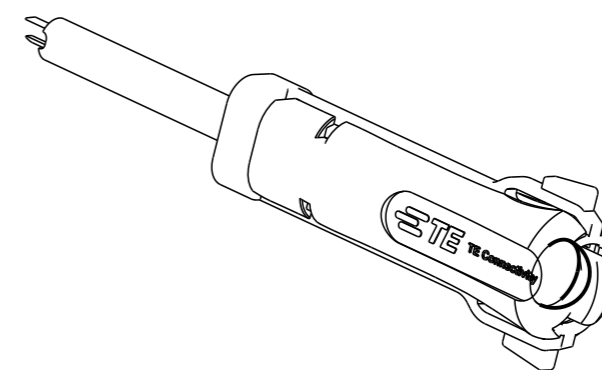
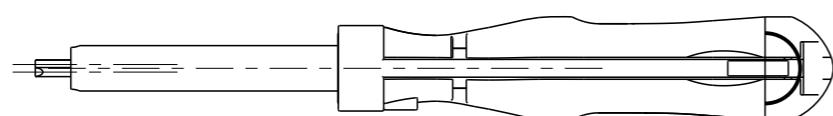
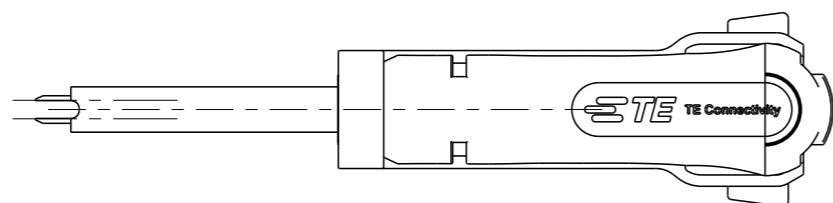
20

© COPYRIGHT 20 BY -

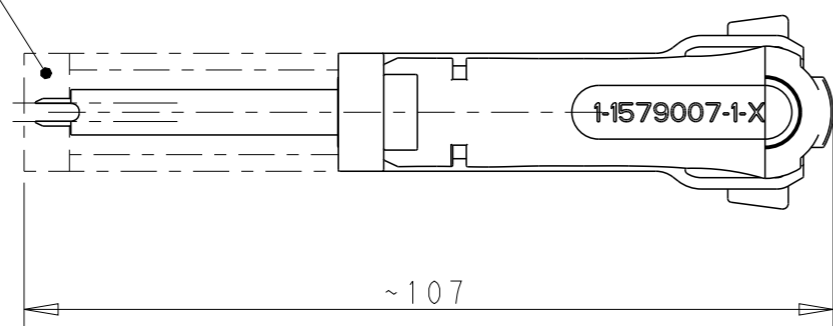
ALL RIGHTS RESERVED.

REVISIONS

P	LTR	DESCRIPTION	DATE	DWN	APVD
	B	ECR-18-007555	28MAY2018	MG	BM



COVER SLIDE
Schutzschieber



FOR CONTACTS: AMP MCP 1.5

(REPLACEMENT FOR TOOL 539968-1)

THIS DRAWING IS A CONTROLLED DOCUMENT.		DWN J. ZAJICEK 25MAR2003		
DIMENSIONS: mm		CHK -		
		TOLERANCES UNLESS OTHERWISE SPECIFIED:	NAME EXTRACTION TOOL Entriegelungswerkzeug	
MATERIAL -		0 PLC ± 1 PLC ± 2 PLC ± 3 PLC ± 4 PLC ± ANGLES ±1	APVD -	PRODUCT SPEC -
FINISH -		FINISH -	APPLICATION SPEC -	WEIGHT -
		CUSTOMER DRAWING	SIZE A3	CAGE CODE 00779
			DRAWING NO C-1-1579007-1	RESTRICTED TO -
			SCALE 1:1	SHEET 1 OF 1
				REV B