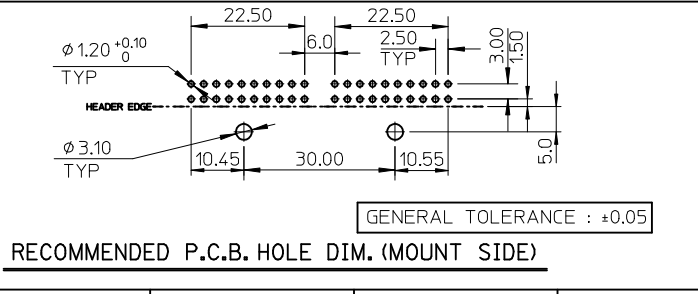


**NOTES**

- 1. MATES WITH: 35564-2015, 35564-2016
- 2. GENERAL TOLERANCE : SEE TABLE
- 3. MATERIAL : PBT-GF30

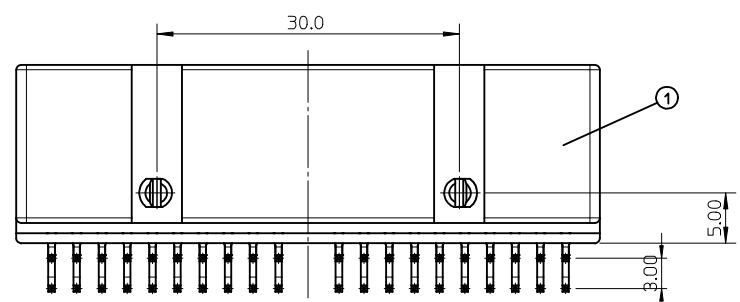
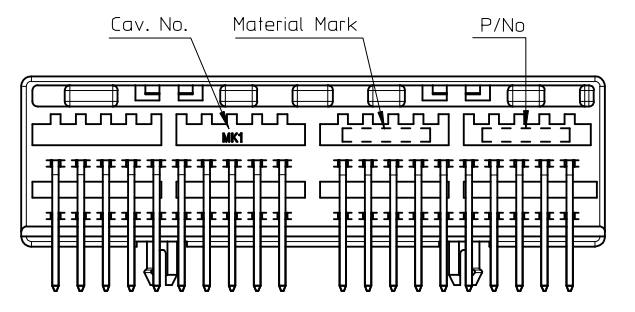
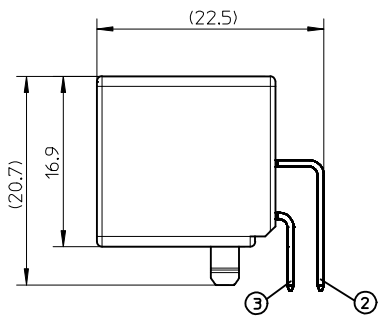
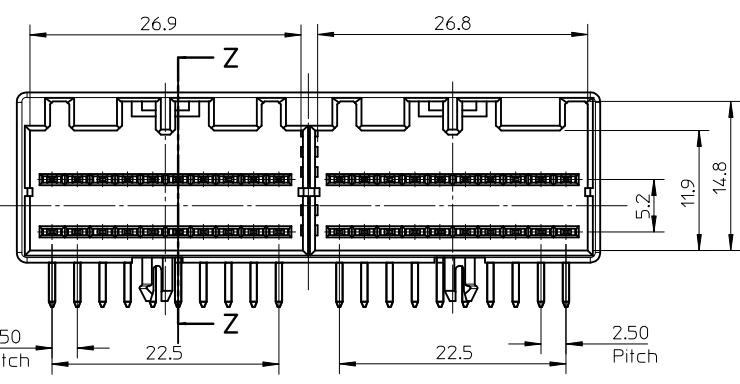
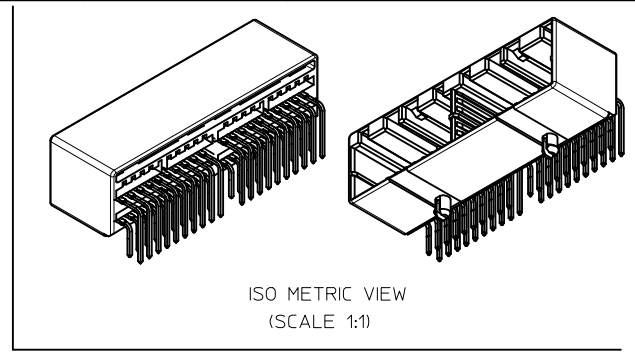
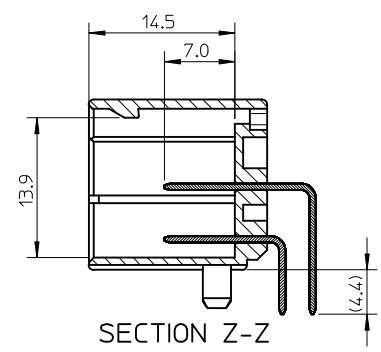
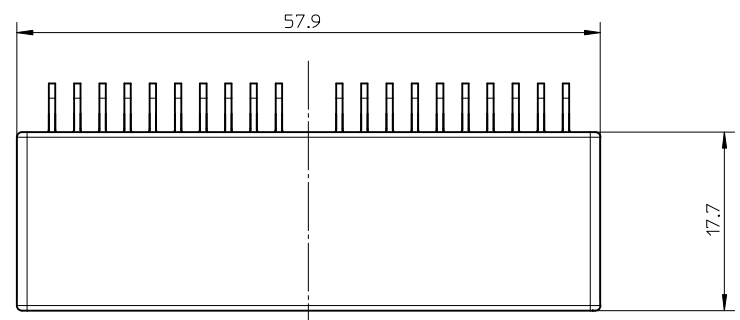
681454021	68145-4021	BLACK		
MATERIAL NO.	ORDER NO.	COLOR		
3	040 TERMINAL S	BRASS (POST TIN PLATED)	-	20
2	040 TERMINAL L	BRASS (POST TIN PLATED)	-	20
1	040 HEADER 40P	>PBT-GF30<	BLACK	1
NO.	DESCRIPTION	MATERIAL	COLOR	Q'TY

QUALITY SYMBOLS F <sub>A</sub> =0 F <sub>G</sub> =0 F <sub>P</sub> =0	GENERAL TOLERANCES (UNLESS SPECIFIED)		DIMENSION STYLE MM ONLY		SCALE 2:1	DESIGN UNITS METRIC	THIRD ANGLE PROJECTION
	mm	INCH	DRAWN BY JWK1M02	DATE 2015/12/04	TITLE SD-68145-002 HEADER ASSY 40P		
4 PLACES	± ---	± ---	CHECKED BY	DATE			
3 PLACES	± ---	± ---	APPROVED BY JYCH01	DATE 2015/12/07			
2 PLACES	± 0.3	± ---	MATERIAL NO.		DOCUMENT NO. SD-68145-002		
1 PLACE	± 0.4	± ---	SEE TABLE		SHEET NO. 1 OF 1		
0 PLACE	± ---	± ---	DRAFT WHERE APPLICABLE MUST REMAIN WITHIN DIMENSIONS		THIS DRAWING CONTAINS INFORMATION THAT IS PROPRIETARY TO MOLEX INCORPORATED AND SHOULD NOT BE USED WITHOUT WRITTEN PERMISSION		



RECOMMENDED P.C.B. HOLE DIM. (MOUNT SIDE)

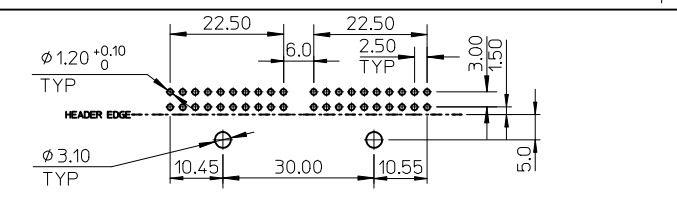
ENTER DESCRIPTION  
EC NO: KTR2016-0025  
DRWN: JWK1M02 2015/12/04  
CHKD:  
APPR: JYCH01 2015/12/07



**NOTES**

- 1. MATES WITH: 35564-2015, 35564-2016
- 2. GENERAL TOLERANCE : SEE TABLE
- 3. MATERIAL : PBT-GF30

681454021	68145-4021	BLACK		
MATERIAL NO.	ORDER NO.	COLOR		
3	040 TERMINAL S	BRASS (POST TIN PLATED)	-	20
2	040 TERMINAL L	BRASS (POST TIN PLATED)	-	20
1	040 HEADER 40P	>PBT-GF30<	BLACK	1
NO.	DESCRIPTION	MATERIAL	COLOR	Q'TY



GENERAL TOLERANCE : ±0.05

RECOMMENDED P.C.B. HOLE DIM. (MOUNT SIDE)

ENTER DESCRIPTION  
 EC NO: KTR2016-0025  
 DRWN: JWK1M02  
 CHKD:  
 APPR: JYCH01  
 2015/12/04  
 2015/12/07

QUALITY SYMBOLS	GENERAL TOLERANCES (UNLESS SPECIFIED)	
	mm	INCH
$F_A=0$	4 PLACES ± --- ± ---	
$F_G=0$	3 PLACES ± --- ± ---	
$F_P=0$	2 PLACES ± 0.3 ± ---	
	1 PLACE ± 0.4 ± ---	
	0 PLACE ± --- ± ---	
	ANGULAR ± 1 °	
	DRAFT WHERE APPLICABLE MUST REMAIN WITHIN DIMENSIONS	

DIMENSION STYLE		SCALE	DESIGN UNITS	THIRD ANGLE PROJECTION
MM ONLY		2:1	METRIC	
DRAWN BY	DATE	TITLE		
JWK1M02	2015/12/04	SD-68145-002 HEADER ASSY 40P		
CHECKED BY	DATE			
APPROVED BY	DATE			
JYCH01	2015/12/07			
MATERIAL NO.	DOCUMENT NO.	SHEET NO.		
SEE TABLE	SD-68145-002	1 OF 1		
SIZE	THIS DRAWING CONTAINS INFORMATION THAT IS PROPRIETARY TO MOLEX INCORPORATED AND SHOULD NOT BE USED WITHOUT WRITTEN PERMISSION			
A3				

**molex**