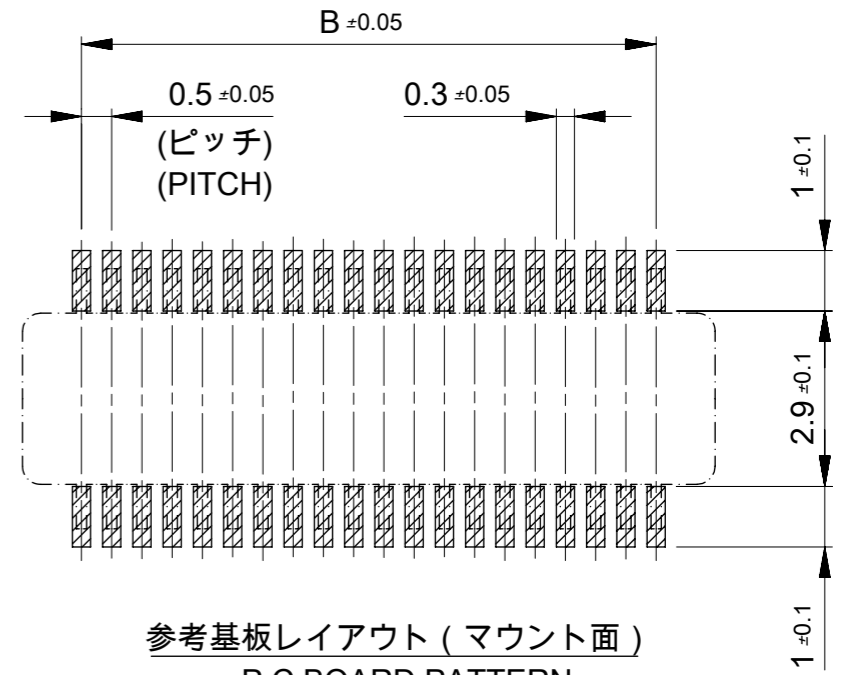
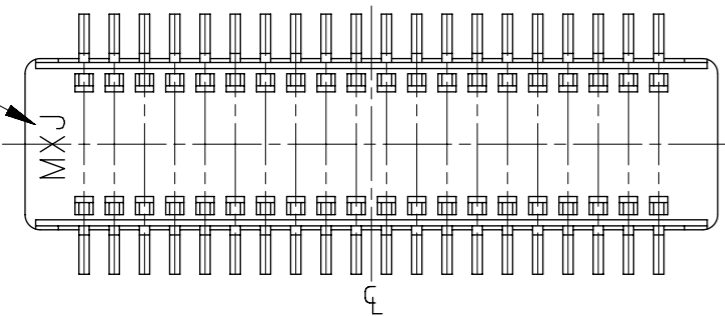
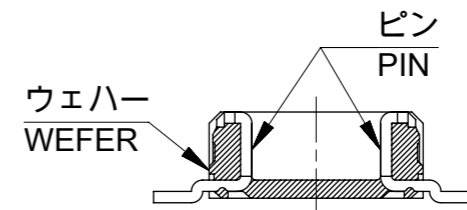
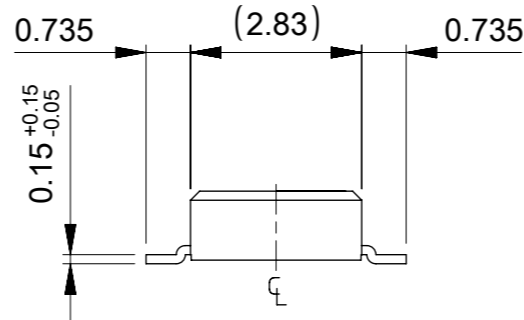


LOCK POSITION 1 2 3 N-2N-1N

トレードマーク  
TRADE MARK



参考基板レイアウト (マウント面)  
P.C. BOARD PATTERN  
DIMENSION. (REF.)  
(MOUNTING AREA)



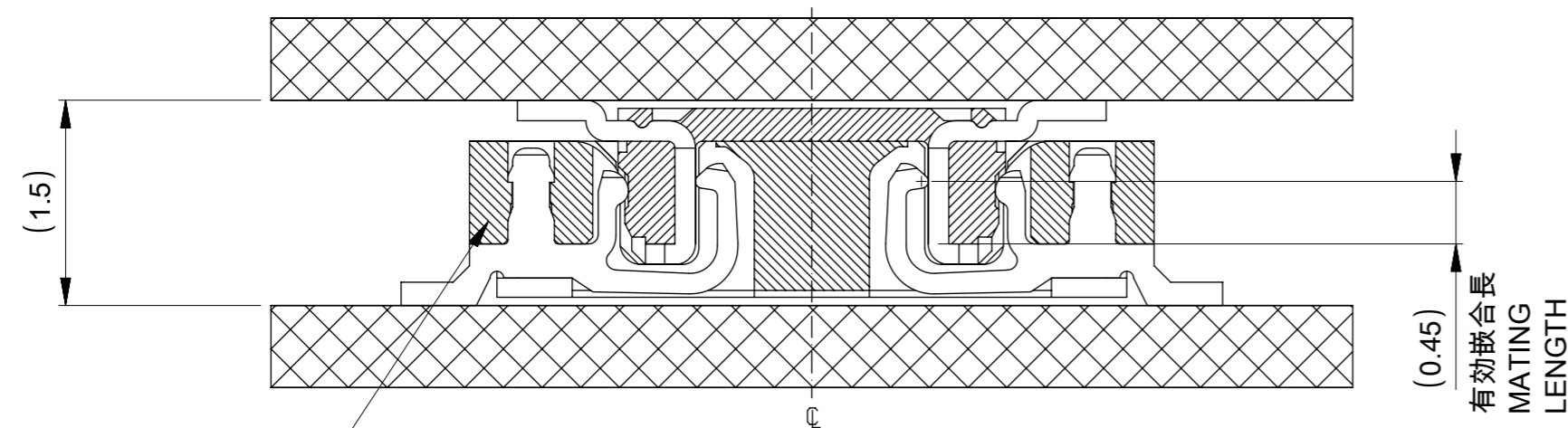
SECTION W-W (LOCK PART)

SECTION V-V (W/O LOCK PART)

NON	20.55	19.5	21.45	55560-0807	80
10,21	15.55	14.5	16.45	55560-0607	60
2,4,8,10,16,18,22,24	13.05	12.0	13.95	55560-0507	50
2,3,5,6,8,9,12,13,15,16,18,19	10.55	9.5	11.45	55560-0407	40
2,3,4,5,8,9,10,11,14,15,16,17	9.55	8.5	10.45	55560-0367	36
2,3,4,5,7,8,9,10,11,13,14,15,16	9.05	8.0	9.95	55560-0347	34
ALL	8.05	7.0	8.95	55560-0307	30
	6.55	5.5	7.45	55560-0247	24
	6.05	5.0	6.95	55560-0227	22
				55560-0228	
	5.55	4.5	6.45	55560-0207	20
4.55	3.5	5.45	55560-0168	16	
LOCK POSITION	C	B	A	Emboss tape Package ORDER No. オーダー番号	極数 CIRCUIT

CONNECTOR SERIES No. 55560-\*\*\*1

GENERAL TOLERANCES (UNLESS SPECIFIED)		DIMENSION UNITS		SCALE		THIS DRAWING CONTAINS INFORMATION THAT IS PROPRIETARY TO MOLEX ELECTRONIC TECHNOLOGIES, LLC AND SHOULD NOT BE USED WITHOUT WRITTEN PERMISSION									
10 <sup>UNDER</sup>	±0.2	mm	8:1	CURRENT REV DESC: REVISED		<p><b>molex</b></p> <p>0.5 MM PITCH B-TO-B CONN. HEIGHT = 1.5 PLUG</p> <p>PRODUCT CUSTOMER DRAWING</p>									
10 <sup>OVER</sup> 30 <sup>UNDER</sup>	±0.25														
30 <sup>OVER</sup>	±0.3					<p>EC NO: 642297</p> <p>DRWN: RMV02 2020/07/21</p> <p>CHK'D: HSHIMOYAMA 2020/11/30</p> <p>APPR: SHOSHIKAWA 2020/11/30</p> <p>INITIAL REVISION:</p> <p>DRWN: SAIHARA 2003/03/31</p> <p>APPR: MSASAO 2003/03/31</p>									
ANGULAR ±3°															
DRAFT WHERE APPLICABLE MUST REMAIN WITHIN DIMENSIONS		DRAFT WHERE APPLICABLE MUST REMAIN WITHIN DIMENSIONS		THIRD ANGLE PROJECTION		DRAWING		SERIES		MATERIAL NUMBER		CUSTOMER		SHEET NUMBER	
				A3-SIZE		55560		SEE TABLE		GENERAL		1 OF 2			



嵌合相手 MATE WITH  
54722-\*\*\*4

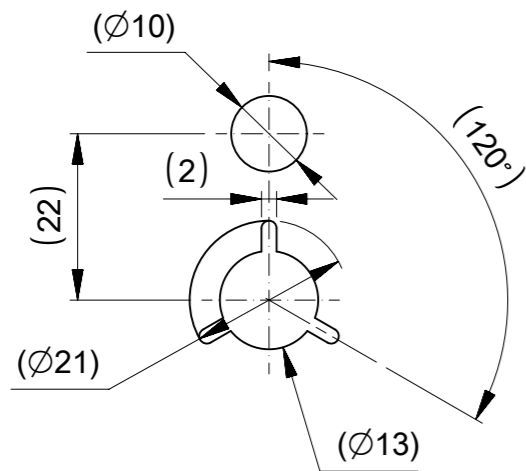
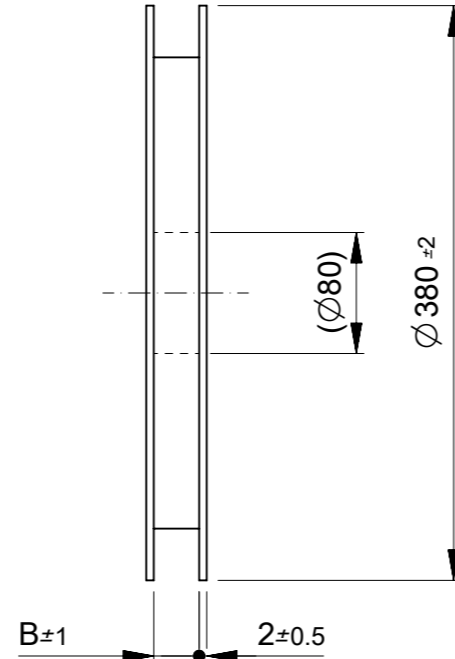
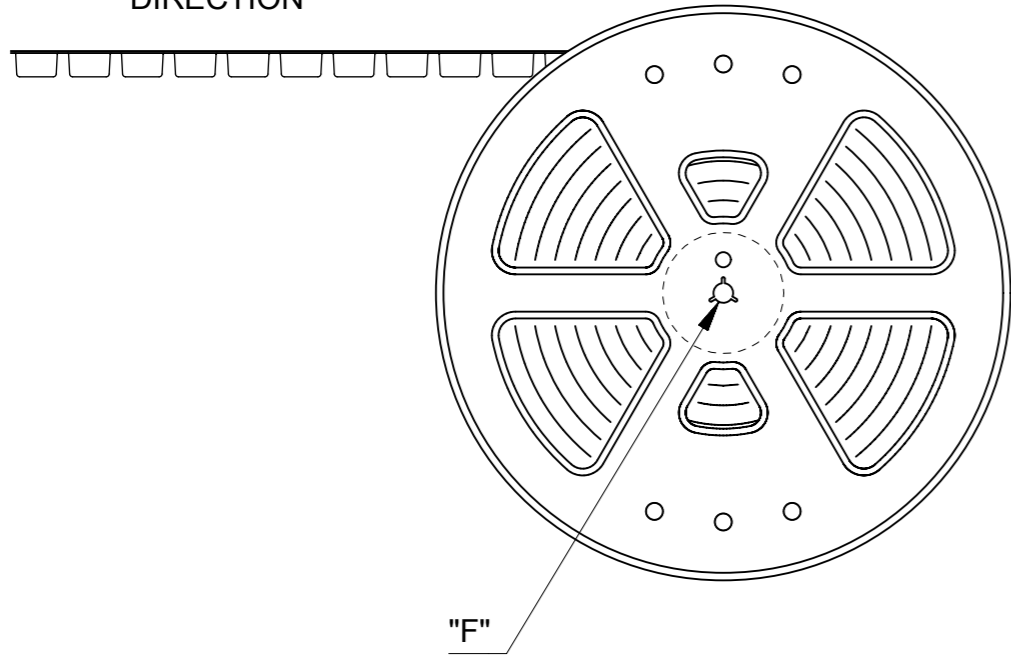
嵌合断面図 (参考)  
MATED DRAWING (REF.)

注記 NOTES:

1. 使用材料 MATERIAL  
 ウェハー : 液晶ポリマーガラス充填, UL94V-0 (黒)  
 WAFER : LIQUID CRYSTRAL POLYMER  
 (GLASS FILLED),UL94V-0 (COLOR:BLACK)  
 ピン : 黄銅 (t=0.15)  
 PIN : BRASS(t=0.15)
2. メッキ仕様 PLATING  
 金メッキ 0.25 MICROMETER MINIMUM (コンタクト部)  
 GOLD 0.25 MICROMETER MINIMUM (CONTACT AREA).  
 金メッキ 0.4 MICROMETER MAXIMUM (テール部)  
 GOLD 0.4 MICROMETER MAXIMUM (TAIL AREA).  
 下地メッキ: ニッケルメッキ 1.5 MICROMETER MINIMUM  
 UNDER PLATING : NICKEL 1.5 MICROMETER MINIMUM.
3. (全極数 / 2) = 偶数の場合に適用.  
 APPLY FOR (CIRCUIT/2) = EVEN.
4. 嵌合相手 : 54722 シリーズ (嵌合高さ = 1.5mm)  
 MATE WITH: 54722 SERIES.(HEIGHT=1.5mm)
5. テール平坦度は、0.1 MAXIMUM  
 TAIL COPLANARITY TO BE 0.1 MAXIMUM.

THIS DRAWING CONTAINS INFORMATION THAT IS PROPRIETARY TO MOLEX ELECTRONIC TECHNOLOGIES, LLC AND SHOULD NOT BE USED WITHOUT WRITTEN PERMISSION		CURRENT REV DESC: REVISED		<b>molex</b>	
DIMENSION UNITS mm	SCALE 20:1	EC NO: 642297 DRWN: RMV02 CHK'D: HSHIMOYAMA APPR: SHOSHIKAWA			
GENERAL TOLERANCES (UNLESS SPECIFIED)		GENERAL TOLERANCES (UNLESS SPECIFIED)		PRODUCT CUSTOMER DRAWING	
10 <sup>UNDER</sup>	±0.2	4 PLACES	±	DOCUMENT NUMBER	DOC TYPE
10 <sup>OVER</sup> 30 <sup>UNDER</sup>	±0.25	3 PLACES	±	SD-55560-006	PSD
30 <sup>OVER</sup>	±0.3	2 PLACES	±	INITIAL REVISION:	DOC PART
ANGULAR±3°		1 PLACE	±	DRWN: SAIHARA	001
		0 PLACES	±	APPR: MSASAO	M
DRAFT WHERE APPLICABLE MUST REMAIN WITHIN DIMENSIONS	DRAFT WHERE APPLICABLE MUST REMAIN WITHIN DIMENSIONS	THIRD ANGLE PROJECTION	DRAWING	SERIES	MATERIAL NUMBER
			A3-SIZE	55560	SEE SHEET 1
				CUSTOMER	SHEET NUMBER
				GENERAL	2 OF 2

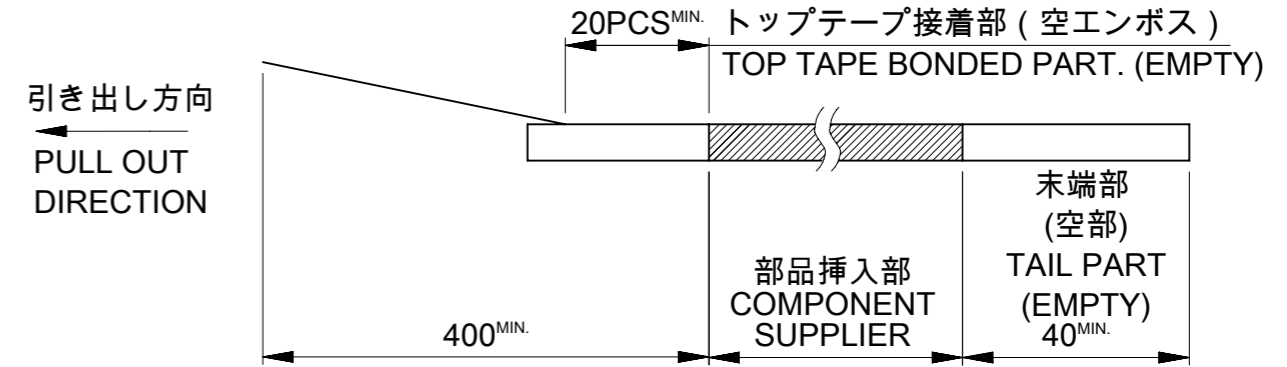
引き出し方向  
PULL OUT  
DIRECTION



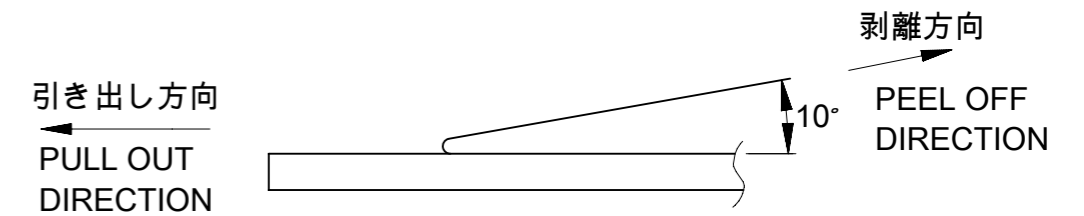
DETAIL "F"

NOTE

- 製品詳細寸法については図面 SD-55560-006 を参照下さい。  
DETAIL DIMENSIONS, SEE SD-55560-006
- 梱包数量 : 3000個 / リール  
NUMBER OF CONNECTORS : 3000PCS/REEL
- リードテープ長さ LEAD TAPE LENGTH

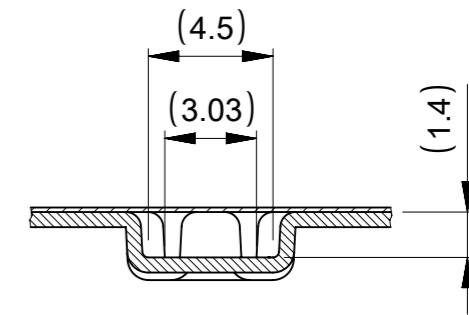
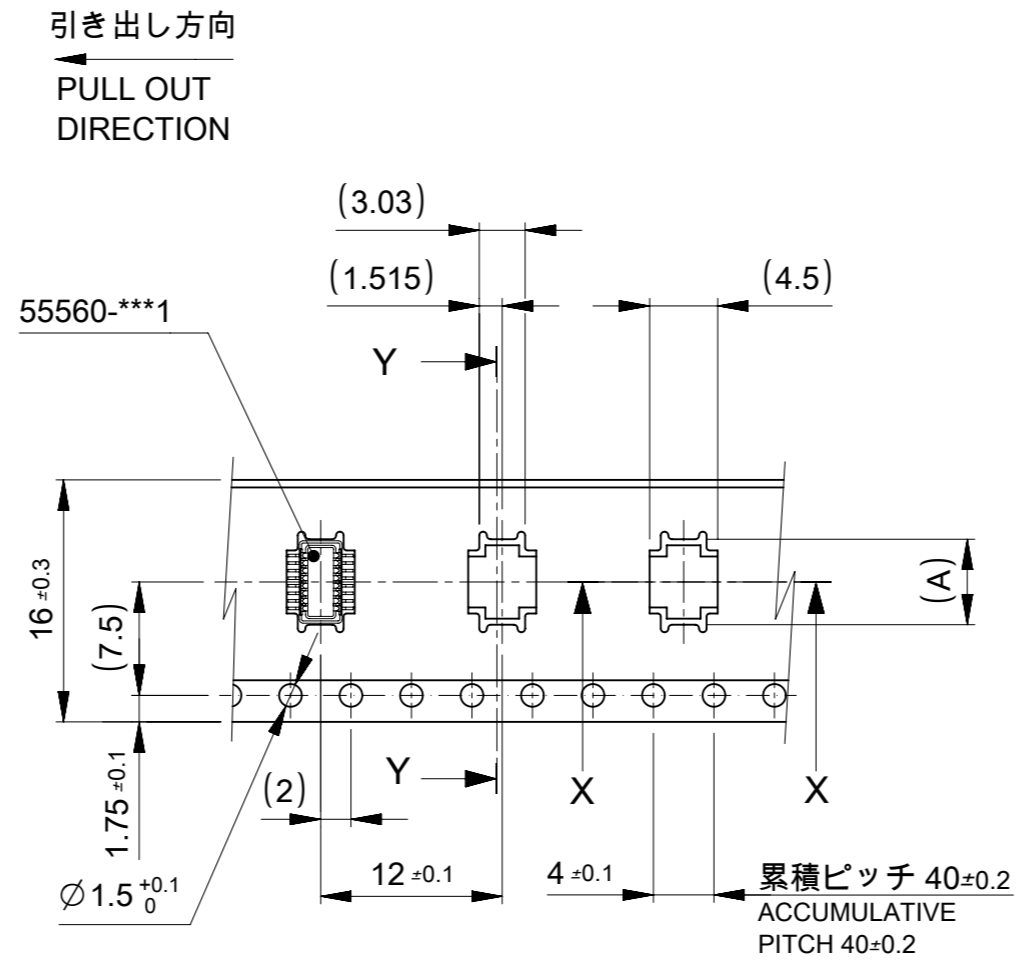
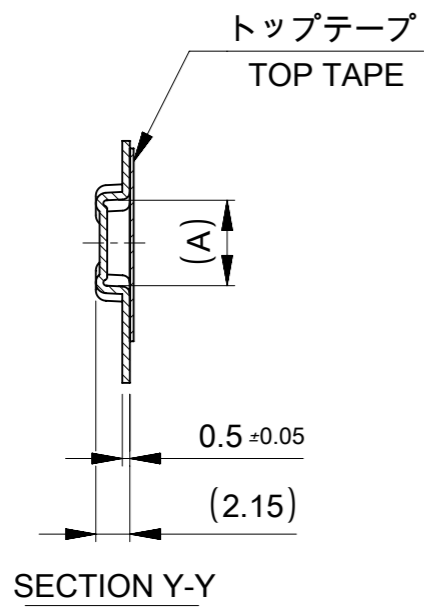


- トップテープの剥離強度 : 0.1N~0.7N(10.2gf~71.4gf)  
(剥離方向は下図参照)  
尚、本規格値は出荷時に適用。(但し、輸送時に剥離が発生しないこと.)  
PEELING OFF FORCE OF TOP TAPE : 0.1N~0.7N(10.2gf~71.4gf)  
(PEELING DIRECTION AS SHOWN IN FOLLOWING FIG.)  
THIS REQUIREMENT SHOULD BE APPLIED AT SHIPMENT.  
PEEL OFF SHOULD NOT BE ALLOWED, DURING TRANSPORTATION.



- 材料 キャリアテープ : ポリプロピレン (PP)  
トップテープ : PET,PE,PEF  
リール : ポリスチレン (PS) <リサイクル材を含む>  
MATERIAL CARRIER TAPE : POLYPROPYLENE  
TOP TAPE : PET,PE,PEF  
REEL : POLYSTYRENE(PS)  
< RECYCLE MATERIAL CONTAINED >

THIS DRAWING CONTAINS INFORMATION THAT IS PROPRIETARY TO MOLEX ELECTRONIC TECHNOLOGIES, LLC AND SHOULD NOT BE USED WITHOUT WRITTEN PERMISSION		CURRENT REV DESC: REVISED		<b>molex</b>	
DIMENSION UNITS	SCALE	EC NO: 642297			
mm	NTS	DRWN: SCV		PRODUCT CUSTOMER DRAWING	
GENERAL TOLERANCES (UNLESS SPECIFIED)		CHK'D: HSHIMOMYAMA		DOCUMENT NUMBER	
ANGULAR TOL ± °		APPR: SHOSHIKAWA		SD-55560-007	
4 PLACES ±		INITIAL REVISION:		DOC TYPE	
3 PLACES ±		DRWN: S.AIHARA		PSD	
2 PLACES ±		APPR: M.SASAO		DOC PART	
1 PLACE ±		2000/10/06		001	
0 PLACES ±		2003/03/31		L	
DRAFT WHERE APPLICABLE MUST REMAIN WITHIN DIMENSIONS		THIRD ANGLE PROJECTION		MATERIAL NUMBER	
DRAFT WHERE APPLICABLE MUST REMAIN WITHIN DIMENSIONS		DRAWING		CUSTOMER	
		A3-SIZE		GENERAL	
		SERIES		SHEET NUMBER	
		55560		1 OF 5	



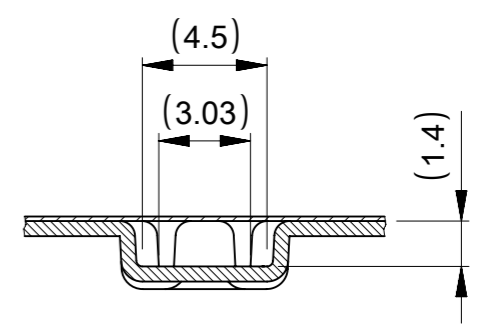
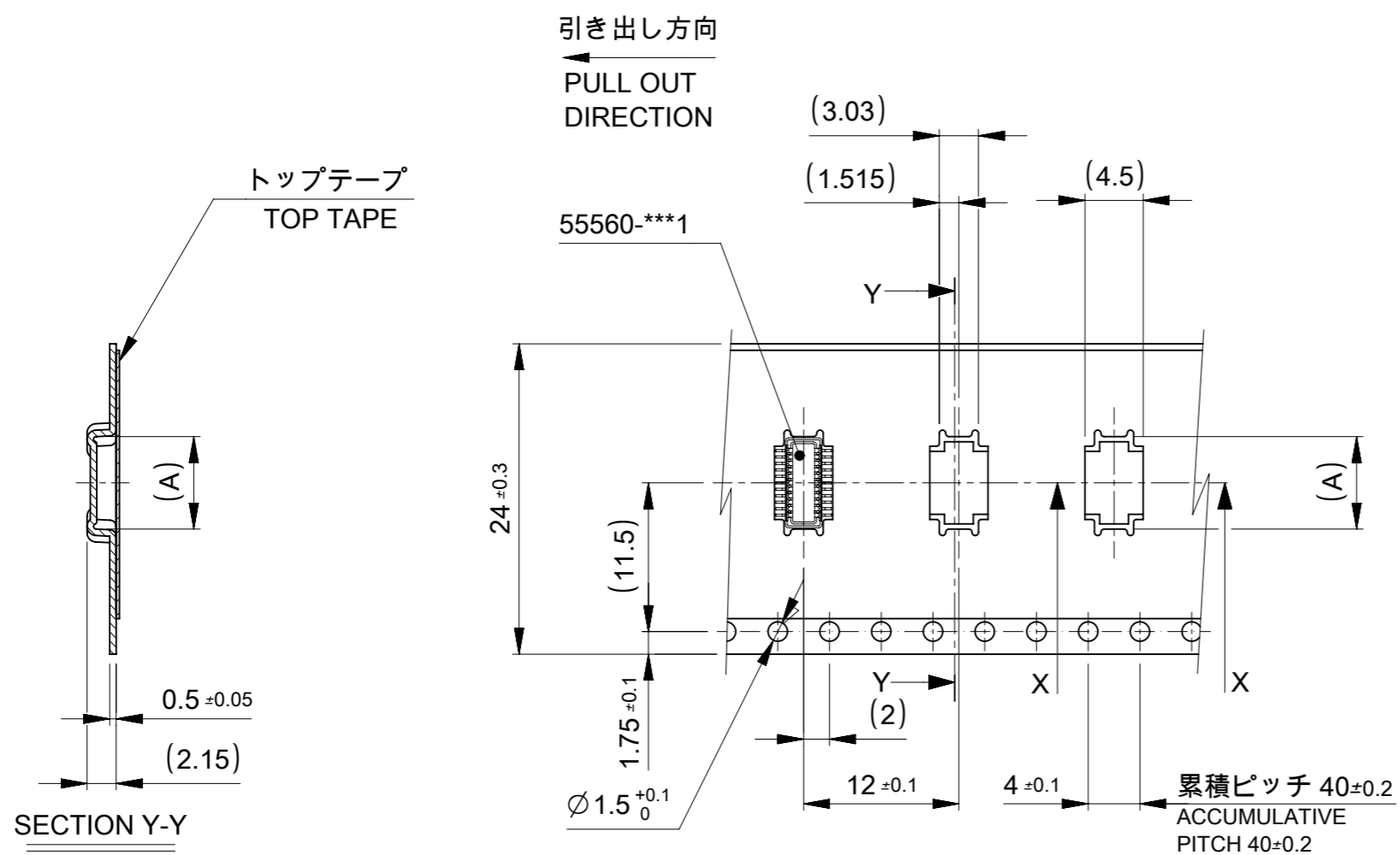
16 mm幅キャリアテープ  
16mm WIDTH CARRIER TAPE

PRE-RELEASE  
REFERENCE  
USE ONLY

16	17.5	6.65	55560-0207	20
キャリアテープ幅 CARRIER TAPE WIDTH		B	(A)	極数 CIRCUIT

THIS DRAWING CONTAINS INFORMATION THAT IS PROPRIETARY TO MOLEX ELECTRONIC TECHNOLOGIES, LLC AND SHOULD NOT BE USED WITHOUT WRITTEN PERMISSION		CURRENT REV DESC: REVISED		<b>molex</b>	
DIMENSION UNITS mm	SCALE NTS				
GENERAL TOLERANCES (UNLESS SPECIFIED)		GENERAL TOLERANCES (UNLESS SPECIFIED)		0.5 MM PITCH B-TO-B CONN. HEIGHT = 1.5 PLUG EMBOSS TAPE PACKAGE	
ANGULAR TOL ± °		ANGULAR TOL ± °		PRODUCT CUSTOMER DRAWING	
4 PLACES ±		4 PLACES ±		DOCUMENT NUMBER	
3 PLACES ±		3 PLACES ±		SD-55560-007	
2 PLACES ±		2 PLACES ±		DOC TYPE	
1 PLACE ±		1 PLACE ±		PSD	
0 PLACES ±		0 PLACES ±		DOC PART	
ANGULAR+3°		ANGULAR+3°		001	
DRAFT WHERE APPLICABLE MUST REMAIN WITHIN DIMENSIONS		DRAFT WHERE APPLICABLE MUST REMAIN WITHIN DIMENSIONS		REVISION	
		THIRD ANGLE PROJECTION		L	
		DRAWING		SHEET NUMBER	
		A3-SIZE		2 OF 5	
		SERIES		MATERIAL NUMBER	
		55560		SEE TABLE	
		CUSTOMER		GENERAL	

DOCUMENT STATUS	RELEASE DATE
-----------------	--------------



24 mm幅キャリアテープ  
24mm WIDTH CARRIER TAPE

累積ピッチ 40±0.2  
ACCUMULATIVE PITCH 40±0.2

PRE-RELEASE  
REFERENCE  
USE ONLY

24	25.5	14.15	55560-0507	50	
		11.65	55560-0407	40	
		10.65	55560-0367	36	
		10.15	55560-0347	34	
		9.15	55560-0307	30	
		7.65	55560-0247	24	
		7.15	55560-0227	22	
キャリアテープ幅 CARRIER TAPE WIDTH		B	(A)	MATERIAL NO.	極数 CIRCUIT

THIS DRAWING CONTAINS INFORMATION THAT IS PROPRIETARY TO MOLEX ELECTRONIC TECHNOLOGIES, LLC AND SHOULD NOT BE USED WITHOUT WRITTEN PERMISSION

CURRENT REV DESC: REVISED

**molex**

0.5 MM PITCH B-TO-B CONN.  
HEIGHT = 1.5 PLUG EMBOSS TAPE PACKAGE

PRODUCT CUSTOMER DRAWING

EC NO: 642297  
DRWN: SCV  
CHK'D: HSHIMUYAMA  
APPR: SHOSHIKAWA

INITIAL REVISION:  
DRWN: S.AIHARA  
APPR: M.FUKUSHIMA

DOCUMENT NUMBER: SD-55560-007  
DOC TYPE: PSD  
DOC PART: 001  
REVISION: L

DIMENSION UNITS: mm  
SCALE: NTS

GENERAL TOLERANCES (UNLESS SPECIFIED):  
ANGULAR TOL ± °

GENERAL TOLERANCES (UNLESS SPECIFIED):  
4 PLACES ±  
3 PLACES ±  
2 PLACES ±  
1 PLACE ±  
0 PLACES ±

GENERAL TOLERANCES (UNLESS SPECIFIED):  
10<sup>UNDER</sup> ±0.2  
10<sup>OVER</sup>30<sup>UNDER</sup> ±0.25  
30<sup>OVER</sup> ±0.3

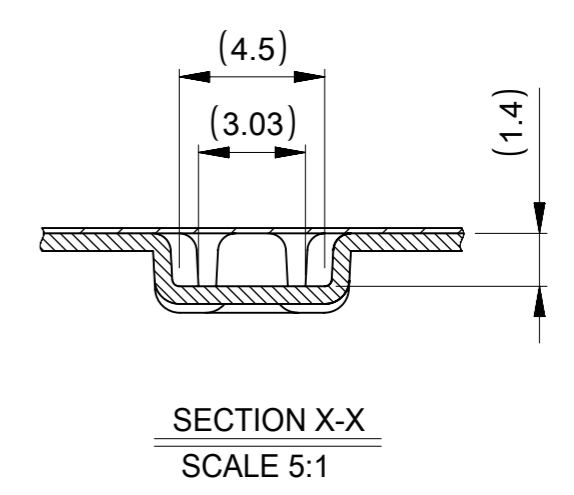
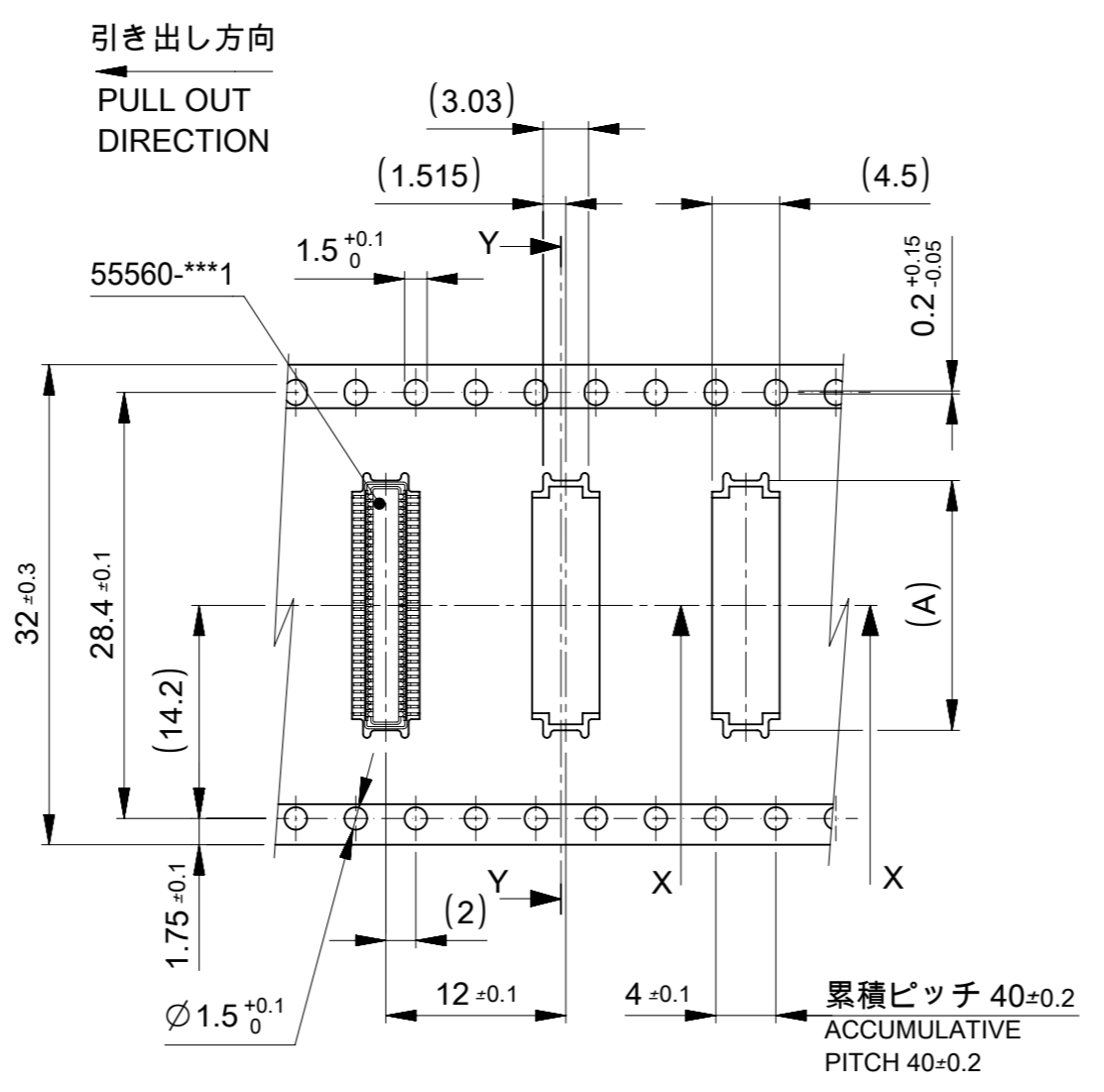
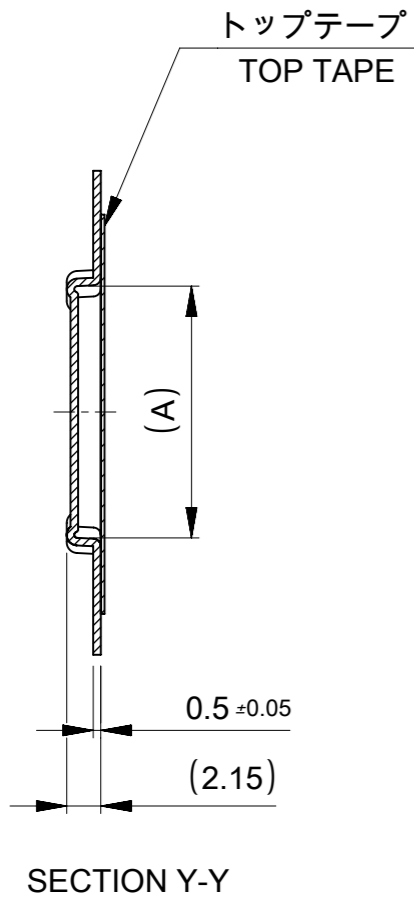
ANGULAR ±3°

DRAFT WHERE APPLICABLE MUST REMAIN WITHIN DIMENSIONS

THIRD ANGLE PROJECTION

DRAWING: A3-SIZE  
SERIES: 55560  
MATERIAL NUMBER: SEE TABLE  
CUSTOMER: GENERAL  
SHEET NUMBER: 3 OF 5

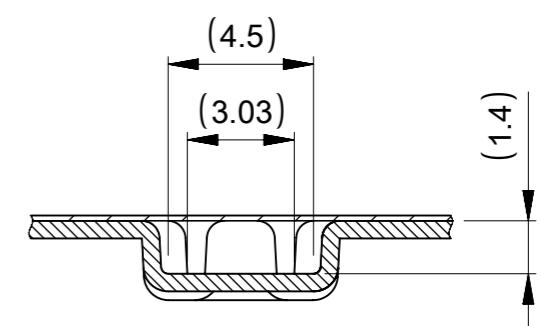
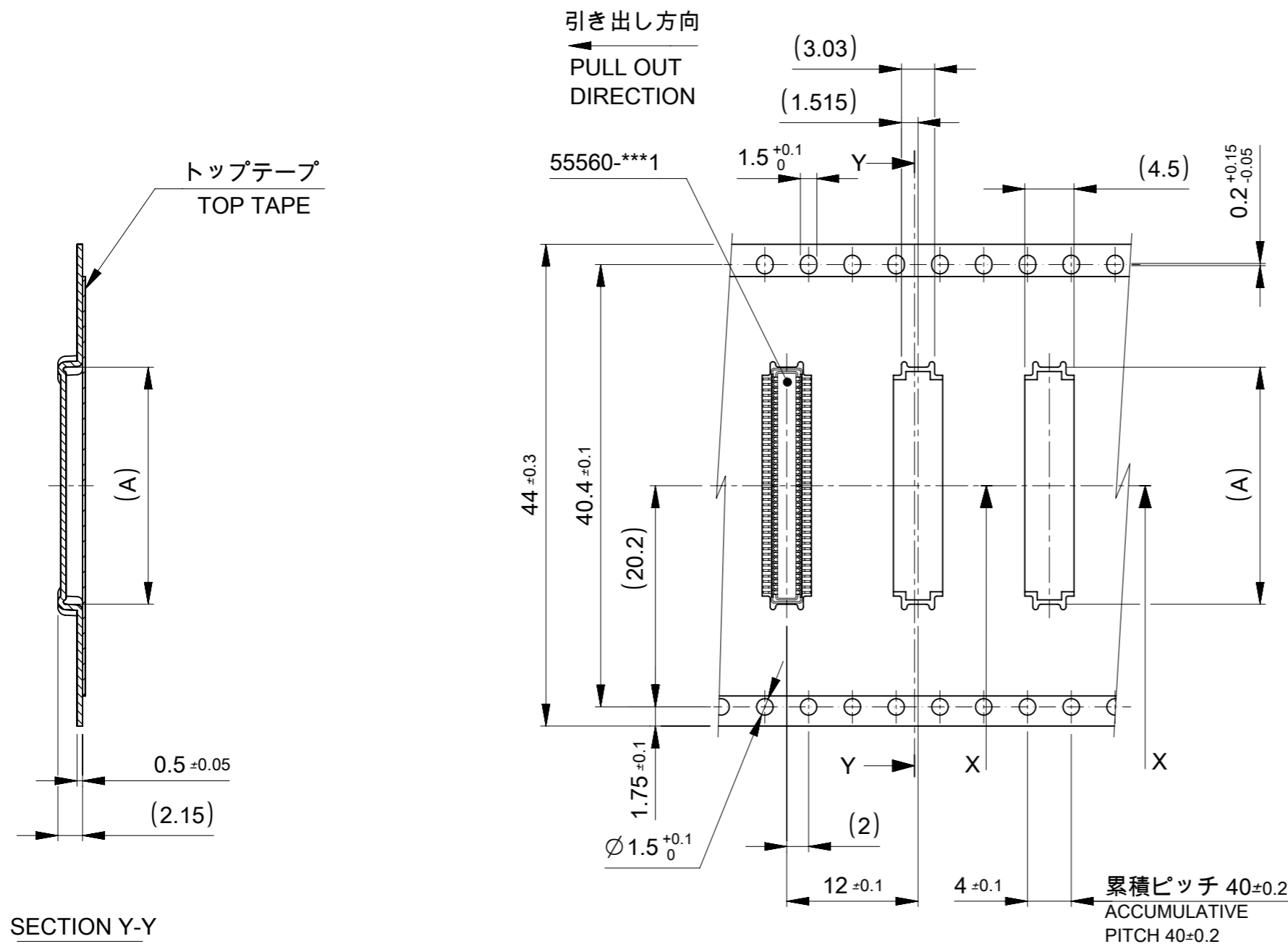
DOCUMENT STATUS	RELEASE DATE
-----------------	--------------



32 mm幅キャリアテープ  
32mm WIDTH CARRIER TAPE

32	33.5	16.65	55560-0607	60
キャリアテープ幅 CARRIER TAPE WIDTH		B	(A)	極数 CIRCUIT

THIS DRAWING CONTAINS INFORMATION THAT IS PROPRIETARY TO MOLEX ELECTRONIC TECHNOLOGIES, LLC AND SHOULD NOT BE USED WITHOUT WRITTEN PERMISSION		CURRENT REV DESC: REVISED		<b>molex</b>	
DIMENSION UNITS	SCALE				
mm	NTS			0.5 MM PITCH B-TO-B CONN. HEIGHT = 1.5 PLUG EMBOSS TAPE PACKAGE	
GENERAL TOLERANCES (UNLESS SPECIFIED)		GENERAL TOLERANCES (UNLESS SPECIFIED)		PRODUCT CUSTOMER DRAWING	
10 <sup>UNDER</sup>	±0.2	4 PLACES	±	EC NO: 642297	2020/07/27
10 <sup>OVER</sup> 30 <sup>UNDER</sup>	±0.25	3 PLACES	±	DRWN: SCV	2020/11/30
30 <sup>OVER</sup>	±0.3	2 PLACES	±	CHK'D: HSHIMUYAMA	2020/11/30
ANGULAR+3°		1 PLACE	±	APPR: SHOSHIKAWA	
		0 PLACES	±	INITIAL REVISION:	
				DRWN: S.AIHARA	2000/10/06
				APPR: M.SASAO	2003/03/31
DRAFT WHERE APPLICABLE MUST REMAIN WITHIN DIMENSIONS		DRAFT WHERE APPLICABLE MUST REMAIN WITHIN DIMENSIONS		DOCUMENT NUMBER	DOC TYPE DOC PART REVISION
		THIRD ANGLE PROJECTION		SD-55560-007	PSD 001 L
		DRAWING		MATERIAL NUMBER	CUSTOMER
		A3-SIZE		SEE TABLE	GENERAL
		SERIES		SHEET NUMBER	
		55560		4 OF 5	



44 mm幅キャリアテープ  
44mm WIDTH CARRIER TAPE

44	45.5	21.65	55560-0807	80
キャリアテープ幅 CARRIER TAPE WIDTH		B	(A) MATERIAL NO.	極数 CIRCUIT

THIS DRAWING CONTAINS INFORMATION THAT IS PROPRIETARY TO MOLEX ELECTRONIC TECHNOLOGIES, LLC AND SHOULD NOT BE USED WITHOUT WRITTEN PERMISSION

mm NTS

GENERAL TOLERANCES (UNLESS SPECIFIED)

10 <sup>UNDER</sup>	±0.2
10 <sup>OVER</sup> 30 <sup>UNDER</sup>	±0.25
30 <sup>OVER</sup>	±0.3

ANGULAR TOL ± °

4 PLACES	±
3 PLACES	±
2 PLACES	±
1 PLACE	±
0 PLACES	±

EC NO: 642297  
DRWN: SCV  
CHK'D: HSHIMUYAMA  
APPR: SHOSHIKAWA

INITIAL REVISION:  
DRWN: S.AIHARA  
APPR: M.SASAO

2020/07/27  
2020/11/30  
2020/11/30

2000/10/06  
2003/03/31

DOCUMENT NUMBER: SD-55560-007  
DOC TYPE: PSD  
DOC PART: 001  
REVISION: L

THIRD ANGLE PROJECTION  
DRAWING: A3-SIZE  
SERIES: 55560  
MATERIAL NUMBER: SEE TABLE  
CUSTOMER: GENERAL  
SHEET NUMBER: 5 OF 5