

1. 50079-8000、-8001、-8020、-8025 梱包仕様 / PACKAGING SPECIFICATION

1-1. 製品名称 / PRODUCT NAME : PICOBLADE 1.25 RECEPTACLE CRIMP TERMINAL

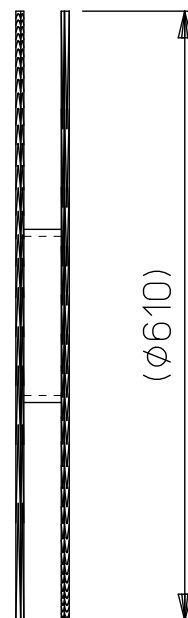
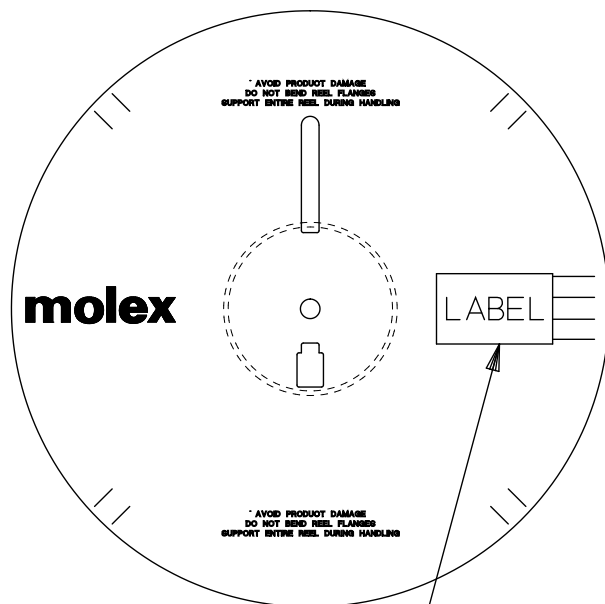
製品番号 / PART NUMBER : 50079-8000、50079-8001、50079-8020  
50079-8025

1-2. 標準梱包数 / STANDARD PACKAGING QUANTITY.

1 リールの巻き数 QTY. PER REEL	カートン中のリール数 NUMBER OF REELS	1 カートンの製品数 QUANTITY IN ONE CARTON
25,000	3	75,000

1-3. リール外形参考寸法 / REEL OUTER DIMENSIONS (REFERENCE PURPOSE ONLY)

単位 / UNIT: mm



現品票

PART IDENTIFICATION LABEL

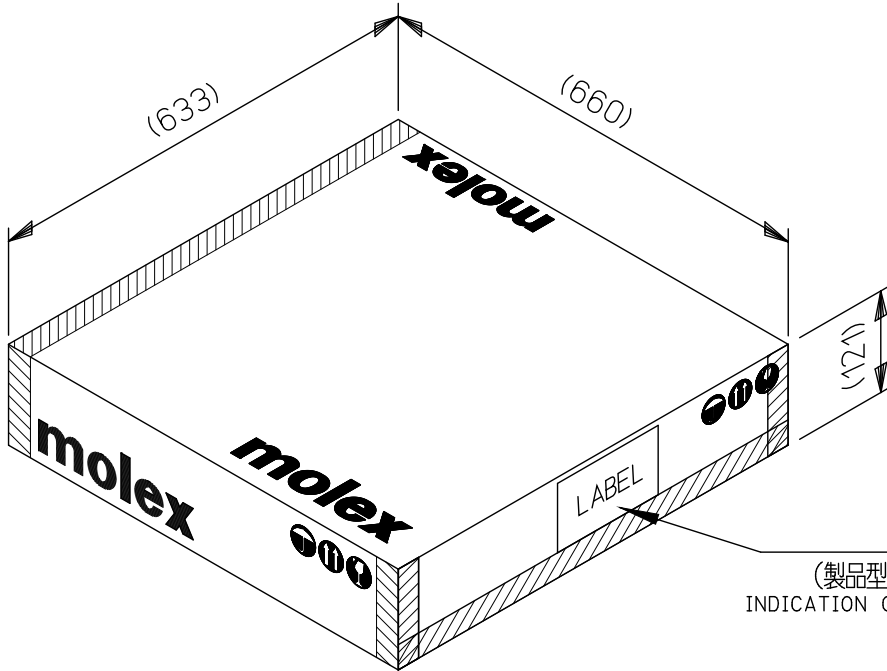
(製品型番, 数量, ロットNO. 表示)

INDICATION OF PART No., QUANTITY, LOT No.

THIS DOCUMENT CONTAINS INFORMATION THAT IS PROPRIETARY TO MOLEX ELECTRONIC TECHNOLOGIES, LLC AND SHOULD NOT BE USED WITHOUT WRITTEN PERMISSION

REVISION DESCRIPTION	REVISED	SALES PACKAGING SPEC. FOR 50079					
CHANGE NO.	655980						
REVISED BY	YTOKUZONO	DATE	2021/02/16	DOC TYPE	DOC TYPE DESCRIPTION	DOC PART	SERIES
REV APPR BY	KTAKAHASHI	DATE	2021/02/19	PS	ENGINEERING SPECIFICATION WORD	001	50079
INITIAL RELEASE				CUSTOMER	DOCUMENT NUMBER	REVISION	SHEET
INITIAL DRWN	YTOKUZONO	DATE	2014/07/30	GENERAL MARKET	SPK-50079-001	D	1 OF 3
INITIAL APPR	HHIRATA	DATE	2014/07/31				

1 - 4. カートン外形参考寸法 / CARTON OUTER DIMENSIONS (REFERENCE PURPOSE ONLY)      単位 / UNIT: mm



カートンラベル  
CARTON LABEL  
(製品型番, 数量, ロットNO. 表示)  
INDICATION OF PART No., QUANTITY, LOT No.

THIS DOCUMENT CONTAINS INFORMATION THAT IS PROPRIETARY TO MOLEX ELECTRONIC TECHNOLOGIES, LLC AND SHOULD NOT BE USED WITHOUT WRITTEN PERMISSION

REVISION DESCRIPTION	REVISED	<b>SALES PACKAGING SPEC. FOR 50079</b>					
CHANGE NO.	655980						
REVISED BY	YTOKUZONO	DATE	2021/02/16	DOC TYPE	DOC TYPE DESCRIPTION	DOC PART	SERIES
REV APPR BY	KTAKAHASHI	DATE	2021/02/19	PS	ENGINEERING SPECIFICATION WORD	001	50079
INITIAL RELEASE				CUSTOMER	DOCUMENT NUMBER	REVISION	SHEET
INITIAL DRWN	YTOKUZONO	DATE	2014/07/30	GENERAL MARKET	<b>SPK-50079-001</b>	<b>D</b>	2 OF 3
INITIAL APPR	HHIRATA	DATE	2014/07/31				

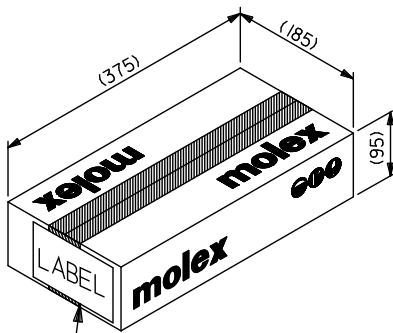
2. 50079-8100 梱包仕様 / PACKAGING SPECIFICATION

2-1. 製品名称 / PRODUCT NAME : PICOBLADE 1.25 RECEPTACLE CRIMP TERMINAL  
 製品番号 / PART NUMBER : 50079-8100

2-2. 標準梱包数 / STANDARD PACKAGING QUANTITY.

ポリ袋 POLY BAG	内装カートン PRIMARY CARTON		外装カートン SHIPPING CARTON
1袋中の製品数 QUANTITY IN ONE BAG	ポリ袋の数 NUMBER OF POLY BAG	製品数 QUANTITY	製品数(内装カートン×3) QUANTITY (PRIMARY CARTON X3)
1,000	25	25,000	75,000

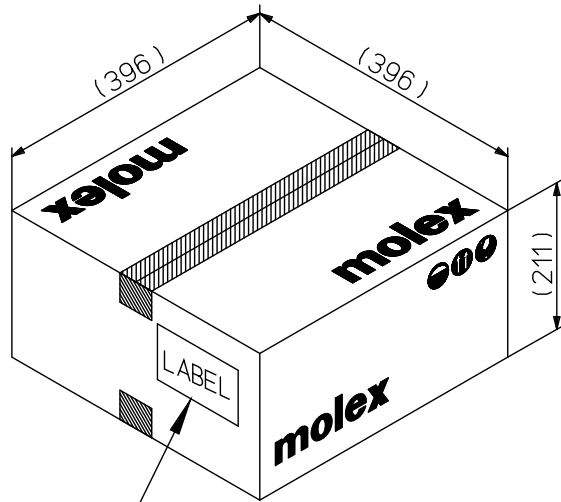
2-3. カートン外形参考寸法 / CARTON OUTER DIMENSIONS (REFERENCE PURPOSE ONLY) 単位 / UNIT: mm



カートンラベル  
CARTON LABEL

(製品型番, 数量, ロットNO. 表示)  
INDICATION OF PART No., QUANTITY, LOT No.

内装カートン  
PRIMARY CARTON



カートンラベル  
CARTON LABEL

(製品型番, 数量, ロットNO. 表示)  
INDICATION OF PART No., QUANTITY, LOT No.

外装カートン  
SHIPPING CARTON

THIS DOCUMENT CONTAINS INFORMATION THAT IS PROPRIETARY TO MOLEX ELECTRONIC TECHNOLOGIES, LLC AND SHOULD NOT BE USED WITHOUT WRITTEN PERMISSION

REVISION DESCRIPTION	REVISED	SALES PACKAGING SPEC. FOR 50079					
CHANGE NO.	655980			DOC TYPE	DOC TYPE DESCRIPTION	DOC PART	SERIES
REVISED BY	YTOKUZONO	DATE	2021/02/16	PS	ENGINEERING SPECIFICATION WORD	001	50079
REV APPR BY	KTAKAHASHI	DATE	2021/02/19	INITIAL RELEASE		REVISION	SHEET
INITIAL DRWN	YTOKUZONO	DATE	2014/07/30	CUSTOMER	DOCUMENT NUMBER	D	3 OF 3
INITIAL APPR	HHIRATA	DATE	2014/07/31	GENERAL MARKET	SPK-50079-001		