

PC 150/125 XHT



Sample image

Order symbol: PC 150/125 XHT

Product nbr: 6013935

Description: Enclosure. PC

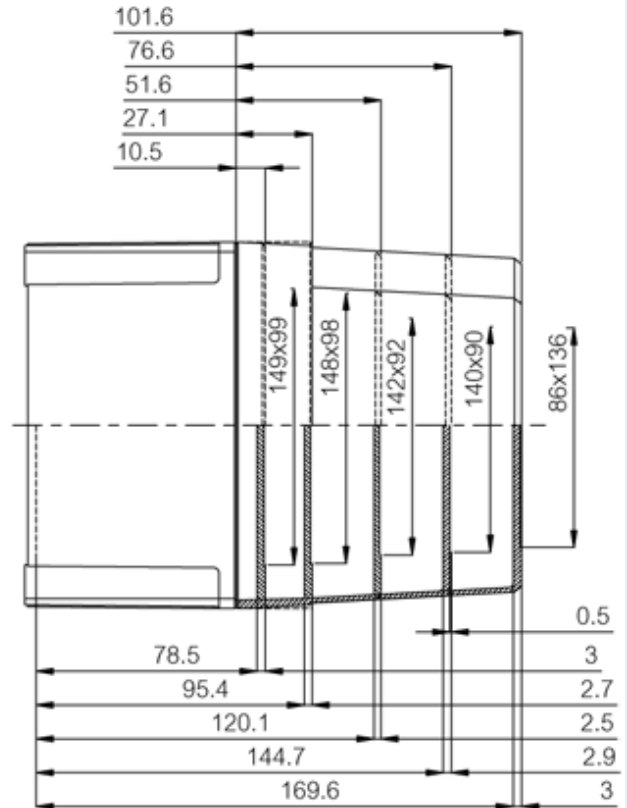
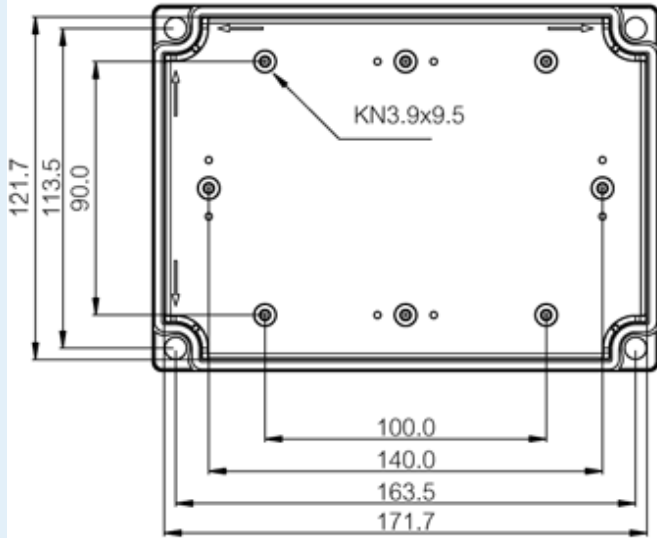
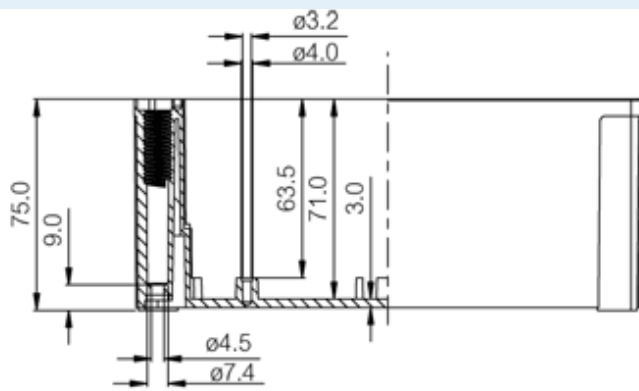
Remarks: Smoked transparent cover

EAN: 6418074061287

El. number:

- Finland: 3435620
- Denmark: 8212027909
- Sweden: 6013935

Including: Base with TPE gasket, screws for mounting plate/DIN-rail and cover with polyamide cover screws.



Dimensions: **Height** **Width** **Depth**

mm: 180 130 125

inch:

Materials:

Material: Polycarbonate
 Base colour: RAL 7035 -light grey
 Cover colour: Clear transparent
 Gasket material: Polyurethane

Temperatures:

Temperature °C (short term):: -40 ... 120
 Temperature °C (continuous): -40 ... 80
 Temperature °F (short term): -40 ... 250
 Temperature °F (continuous): -40 ... 175

Accessories:

- MIV 10 DIN-35 Mounting rail. for enclosures: (100 x 35 x 1)
- FP A 150/180 Front panel (Aluminum). for enclosures: (170 x 112 x 1)
- HFP 180 Front panel hinge series
- MIV 150 Back Panel (Galvanized steel). for enclosures: (148 x 98 x 1)
- MIN 15 DIN-15 Mounting rail. for enclosures: (150 x 15 x 1)
- MIN 10 DIN-15 Mounting rail. for enclosures: (100 x 15 x 1)
- MIV 15 DIN-35 Mounting rail. for enclosures: (150 x 35 x 1)
- FP 22046 Mounting foot kit (4 pcs)

Rating:

Ingress protection (EN 60529): IP66; IP67;
 Impact Resistance (EN 62262): IK08;
 Electrical insulation: Totally insulated
 Halogen free (DIN/VDE 0472, Part 815): 1
 UV resistance: UL 508

Flammability Rating: UL 746C 5"

Glow Wire Test (IEC 695-2-1) °C: 960 °C

NEMA Class

Certificates:

Certificate FI 40847