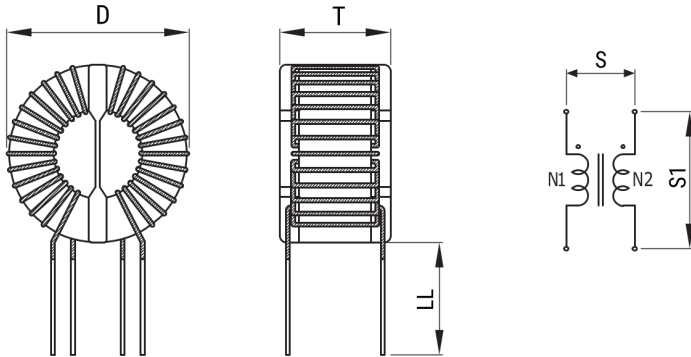


## SC-02-10G

Aliases (UALSC0210G0000)

KEMET, SC-G/GS, AC Line Filters, Common Mode, 1 mH



Click [here](#) for the 3D model.

### Dimensions

|           |             |
|-----------|-------------|
| D         | 17.5mm MAX  |
| T         | 14mm MAX    |
| LL        | 15mm +/-2mm |
| S         | 8mm NOM     |
| S1        | 13mm NOM    |
| Wire Size | 0.5mm       |

### Packaging Specifications

|                    |      |
|--------------------|------|
| Packaging          | Tray |
| Packaging Quantity | 1300 |
| Component Weight   | 7 g  |

### General Information

|               |   |
|---------------|---|
| Series        | SC-G/GS                                     |
| Style         | Through-Hole                                |
| RoHS          | Yes   |
| Notes         | Lead Spacing (S/S1) Are For Reference Only. |
| Miscellaneous | Temperature Rise Maximum: 40 K.             |
| Core          | Mn-Zn Ferrite                               |

### Specifications

|                   |                |
|-------------------|----------------|
| Voltage AC        | 250 VAC        |
| Inductance        | 1 mH (100 kHz) |
| Current           | 2 A            |
| Temperature Range | -25/+105°C     |
| DC Resistance     | 50 mOhms       |