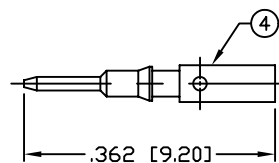
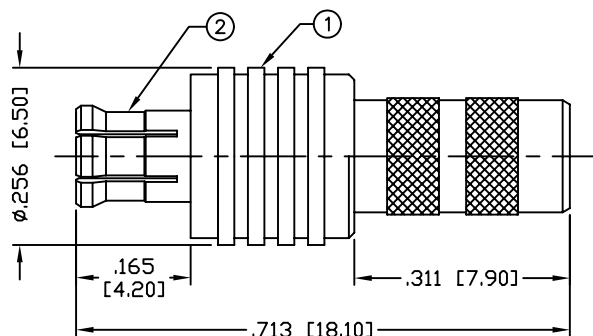


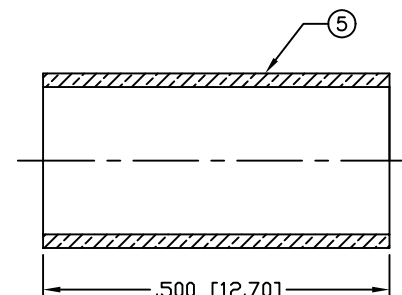
THIS DRAWING CONTAINS INFORMATION PROPRIETARY TO RF INDUSTRIES.  
 ANY UNAUTHORIZED USE OF THIS DRAWING IS EXPRESSLY PROHIBITED  
 WITHOUT WRITTEN PERMISSION FROM RF INDUSTRIES.  
 ANY VIOLATION IS PUNISHABLE UNDER U.S. COPYRIGHT LAWS.

ALL DIMENSIONS ARE REFERENCE ONLY

PART NO.		<b>RMX-8000-1C</b>		
REV	DESCRIPTION	DWN	DATE	APPROVED
-	ENGINEERING RELEASE	CZS	3/18/04	JDMc



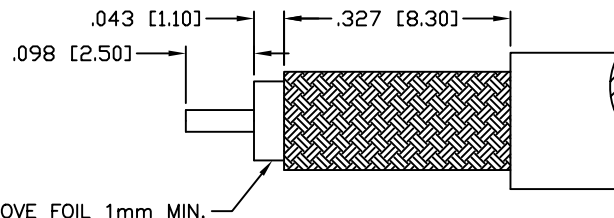
RECOMMENDED PIN TO BE SOLDERED



RECOMMENDED CRIMP DIE: .213"

SPECIFICATIONS:

IMPEDANCE: 50 Ohms  
 FREQUENCY RANGE: 0-6 GHz  
 WORKING VOLTAGE: 335 V rms @ sea level  
 VSWR: 1.3 MAX.  
 TEMPERATURE RANGE: -65°C TO 165°C  
 INSULATION RESISTANCE: 1k M Ohms min.  
 FOR RG-58, 58A, 58C, 141, 141A, BELDEN 8240, 9907  
 8259, 8262, 9201, 9203, 9310, 9311 & COMM/SCOPE 0268



REMOVE FOIL 1mm MIN.

RECOMMENDED STRIPPING DIMENSIONS

1	BODY	1	BRASS	GOLD, 3 $\mu$ "	008974	UNLESS OTHERWISE SPECIFIED:
2	PRESS BODY	1	Be. Cu.	GOLD, 3 $\mu$ "		
3	INSULATOR	1	PTFE	---		
4	PIN	1	BRASS	GOLD, 30 $\mu$ "		
5	FERRULE	1	BRASS	GOLD, 3 $\mu$ "		
6						
7						
8						
9						
10					DRAWN	
11					C. ZUNIGA	3/28/05
12					CHECKED	
13					ORJ DRAWN	
14					C. ZUNIGA	3/28/05
#	DESCRIPTION	QTY	MATERIAL	FINISH	APPROVALS	DATE

DIMENSIONS ARE IN INCHES AND [MILLIMETERS]  
 UNLESS OTHERWISE NOTED TOLERANCES ARE:  
 DECIMALS      DIAMETER

**RF connectors**  
 DIVISION OF RF INDUSTRIES, LTD.

7610 MIRAMAR RD  
 SAN DIEGO, CA 92126  
 (858) 549-6340  
 (858) 549-6345 FAX

**MCX PLUG, CRIMP**

SIZE	CABLE GROUP	DWG NO.	REV
A	C	RMX-8000-1C	-
SCALE:	NTS	CAD FILE	OUTLINE
SHEET 1 OF 1			