

PAGE 1/2

ISSUE 15-03-18

SERIE : SPnT

PART NUMBER : R573F11801

RF CHARACTERISTICS

Number of ways : **8**
 Frequency range : **0 - 26.5 GHz**
 Impedance : **50 Ohms**

| Frequency (GHz) | DC - 3 | 3 - 8 | 8 - 12.4 | 12.4 - 16 | 16 - 18 | 18 - 22 | 22 - 26.5 |
|--------------------|----------------|----------------|----------------|----------------|----------------|----------------|----------------|
| VSWR max | 1.20 | 1.30 | 1.40 | 1.50 | 1.60 | 1.70 | 2.00 |
| Insertion loss max | 0.20 dB | 0.30 dB | 0.40 dB | 0.55 dB | 0.60 dB | 0.70 dB | 1.10 dB |
| Isolation min | 80 dB | 70 dB | 60 dB | 60 dB | 60 dB | 60 dB | 55 dB |
| Average power (*) | 240 W | 150 W | 120 W | 110 W | 100 W | 90 W | 40 W |

ELECTRICAL CHARACTERISTICS

Actuator : **NORMALLY OPEN**
 Nominal current ** : **420 mA**
 Actuator voltage (Vcc) : **5V / NEGATIVE COMMON**
 Terminals : **Mini-USB socket (with 1 meter USB cable)**

MECHANICAL CHARACTERISTICS

Connectors : **SMA female per MIL-C 39012**
 Life : **2 million cycles per position**
 Switching Time*** : **< 15 ms**
 Construction : **Splashproof**
 Weight : **< 280 g**

ENVIRONMENTAL CHARACTERISTICS

Operating temperature range : **-25°C to +75°C**
 Storage temperature range : **-55°C to +85°C**

SYSTEM REQUIREMENTS

Compatible with Windows® 7 up to 10 operating systems using 32 and 64 bit architecture

(* Average power at 25°C per RF Path)

(** At 25° C ±10%)

(*** Nominal voltage ; 25° C)



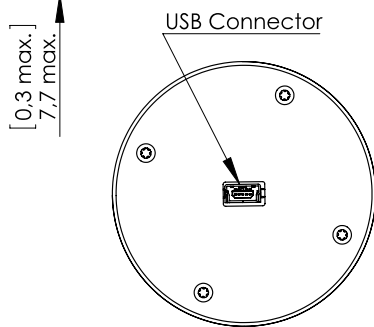
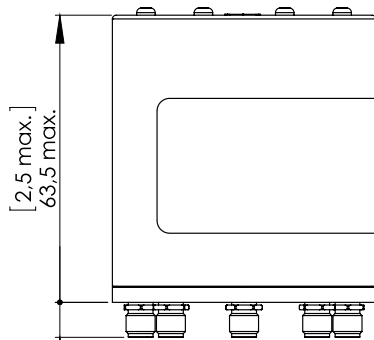
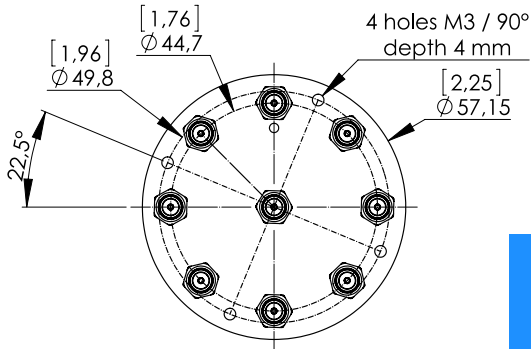
PAGE 2/2

ISSUE 15-03-18

SERIE : SPnT

PART NUMBER : R573F11801

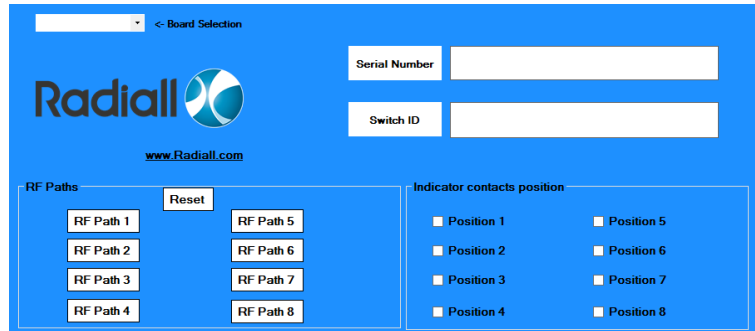
DRAWING



General tolerances : $\pm 0.5 \text{ mm}$ [0.02 in]

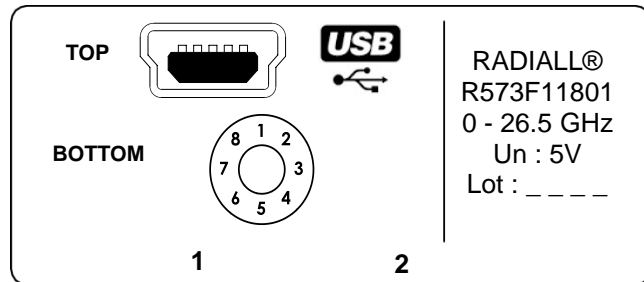


Graphical User Interface



Apart from using the provided GUI interface USB switch can be also controlled via other commonly used software programming platforms such as Visual Basic, C#, C++, LabVIEW™ and VEE.

LABEL



SCHEMATIC DIAGRAM

