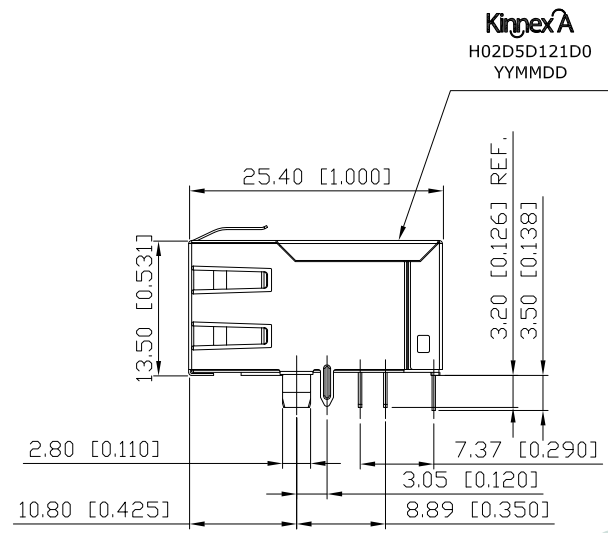
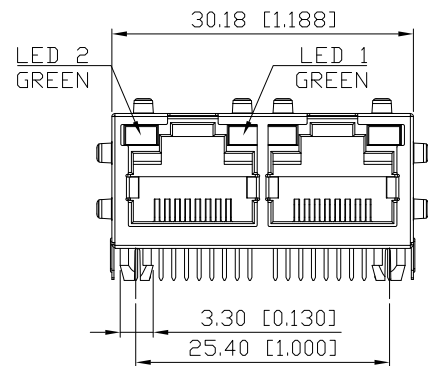


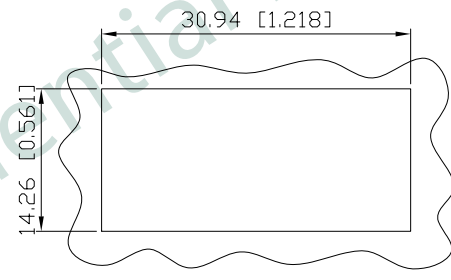
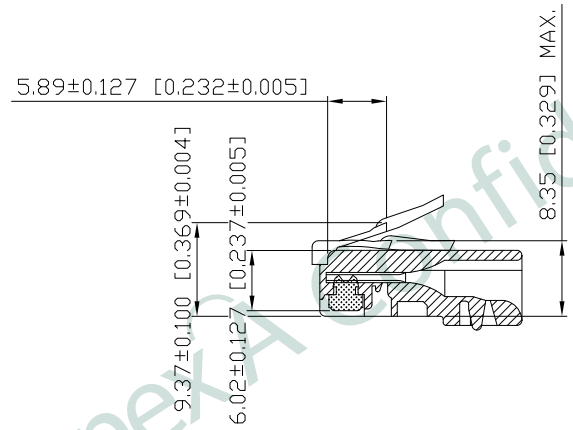
1. MECHANICAL DIMENSIONS :

REV.	DATE	DESCRIPTION
01	Oct. 06, '17	1st RELEASE



- NOTES:
- MATERIAL:
HOUSING: HIGH THERMOPLASTIC, UL94V-0, BLACK
CONTACTS: PHOS-BRONZE,
6u" GOLD PLATING ON CONTACT AREA,
NICKEL UNDERPLATING OVERALL
SHIELD: COPPER ALLOY, NICKEL PLATING
 - OPERATING TEMPERATURE: -40°C~+85°C
 - INSERTION FORCE: 4 POUNDS MAX.
EXTRACTION FORCE: 4 POUNDS MAX.
 - DURABILITY: 750 MATING CYCLED MIN.
 - CAVITY CONFORMS TO FCC RULES AND REGULATIONS PART 68, SUBPART F.
 - UNSPECIFIED TOLERANCE: .XX ±0.25[0.010]
.X ±0.30[0.012]

RECOMMENDED PLUG DIMENSION:

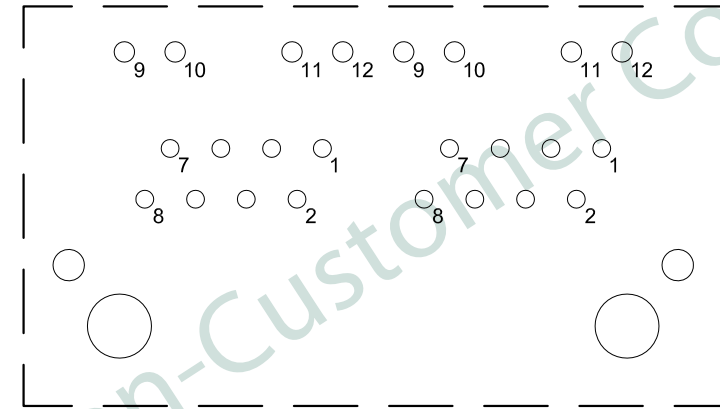
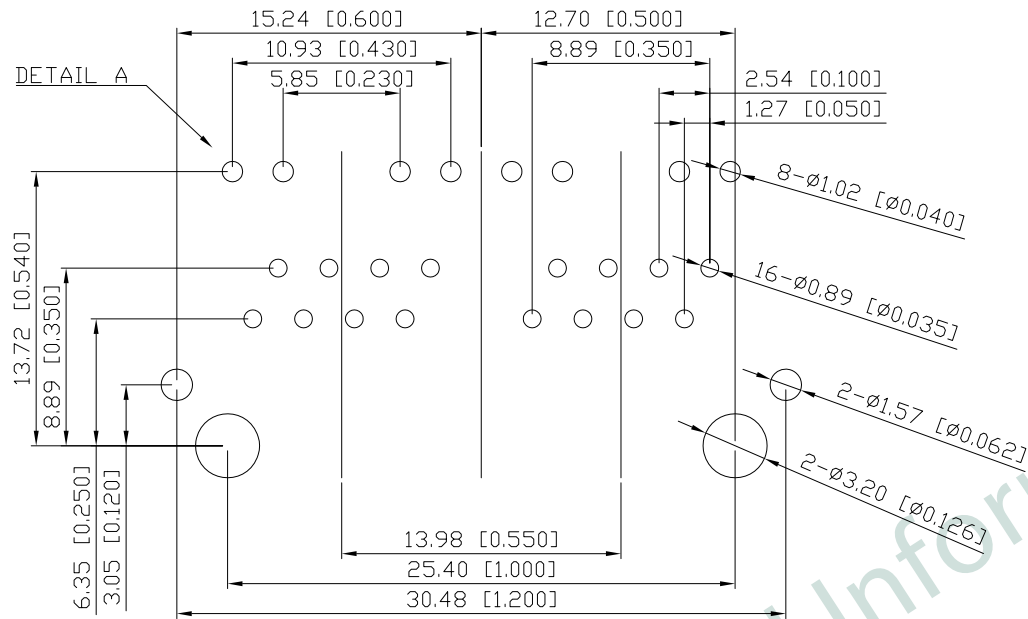


RECOMMENDED PANEL CUTOUT DIMENSION

PART NO		KRH-02D-5-D12-1D0		
TITLE	RJ45 1X2 8P8C, W/ 10/100 TRANSFORMER, W/LED, SHIELDED			
REV : 01				
UNIT	DRAWN	CHKD	DATE	SHEET
mm[inch]	BOCHEN	DANIEL	Oct. 06, '17	1 of 4

RoHS Compliant

2. PCB LAYOUT :



DETAIL A

SUGGESTED PCB LAYOUT
(TOP VIEW) SCALE:2:1
DIMENSIONAL TOLERANCE: .XX ±0.08[0.003]

P#	DEFINITION
P1	TD+
P2	CT
P3	TD-
P4	RD+
P5	CT
P6	RD-
P7	-
P8	GND
P9	LEFT GR+
P10	LEFT GR-
P11	RIGHT GR+
P12	RIGHT GR-

KRH-02D-5-D12-1D0

PRODUCT SERIES
KRH: LATCH UP

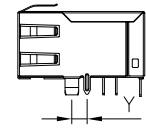
MECHANICAL TYPE
02D: KRH 2 PORT, LENGTH=25.3mm,
HEIGHT=13.5mm, STAGGERED
LED COLOR OPTION

CIRCUIT TYPE

SPECIAL CODE
0: STANDARD

SHIELDED TYPE
D: 2 PORT W/O TAB, Y=3.05mm,
EMI FINGER ON ALL SIDE

LED POLARITY
1: +-, +-



PART NO		KRH-02D-5-D12-1D0		
TITLE	RJ45 1X2 8P8C, W/ 10/100 TRANSFORMER, W/LED, SHIELDED			
REV : 01				
UNIT	DRAWN	CHKD	DATE	SHEET
mm[inch]	BOCHEN	DANIEL	Oct. 06, '17	2 of 4

DWG NO KRH-02D-5-D12-1D0

KinnexA, INC. 8F, No. 172, CHENG TEH ROAD SEC. 4, TAIPEI 11167, TAIWAN

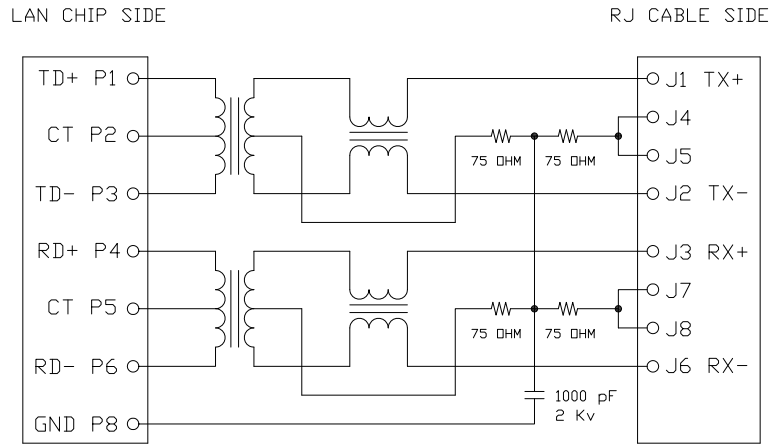
Connected by **KinnexA**

PRELIMINARY RELEASE SUBJECT TO CHANGE

※ THIS DRAWING IS A CONTROLLED DOCUMENT ※

RoHS Compliant

3. SCHEMATIC :



COLOR	VF(V) @20mA		IV(mcd) @20mA	IF(mA)	PEAK WAVE LENGTH λP(nm) @20mA
	TYP	MAX	TYP	TYP	TYP
GREEN	2.2	2.6	10	20	570

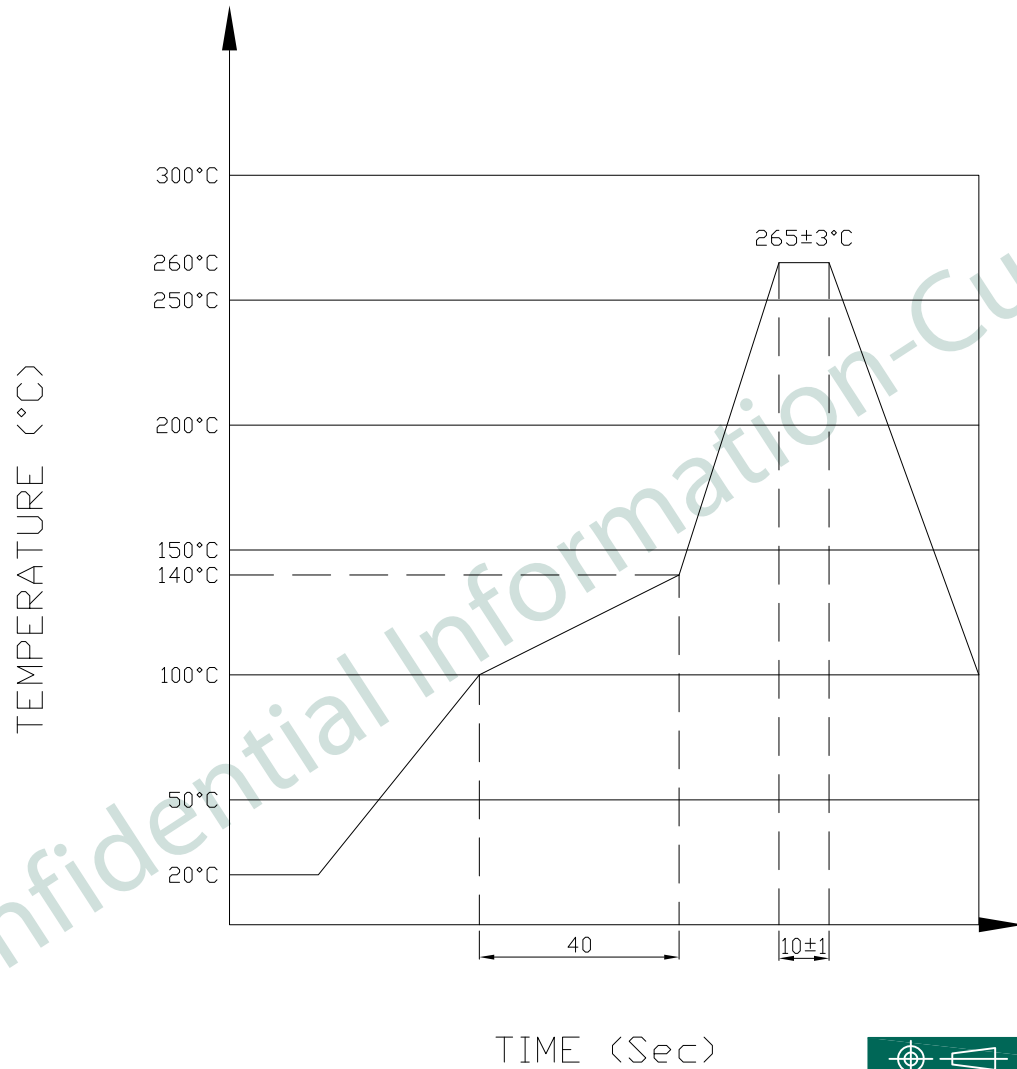
4. ELECTRICAL CHARACTERISTICS :

TEST NOTES:(25±5°C)

- TR:
INPUT TO OUTPUT=1:1±3%
- LX:(100KHz,100mV,8mA, DC Bias)
350uH MINIMUM
- DCR:
EVERY RJ PAIR=1.2 Ω MAXIMUM
- HIPOT:
INPUT(RJ SIDE) TO OUTPUT(LAN SIDE):
1500 VAC/60SEC
- INSERTION LOSS:
-1.0dB MAXIMUM AT 0.3MHz TO 100MHz
- RETURN LOSS:
-20dB MINIMUM AT 1MHz TO 30MHz
-15dB MINIMUM AT 30MHz TO 60MHz
-10dB MINIMUM AT 60MHz TO 80MHz
- CROSS TALK:
-30dB MINIMUM AT 1MHz TO 100MHz
- COMMON TO COMMON MODE REJECTION:
-30dB MINIMUM AT 1MHz TO 100MHz

PART NO		KRH-02D-5-D12-1D0		
TITLE	RJ45 1X2 8P8C, W/ 10/100 TRANSFORMER, W/LED, SHIELDED			
REV : 01				
UNIT	DRAWN	CHKD	DATE	SHEET
mm[inch]	BOCHEN	DANIEL	Oct. 06, '17	3 of 4

5. PROFILE OF WAVE SOLDER :



The measuring point for the specified temperature shall be on the soldered part of the lead

PART NO KRH-02D-5-D12-1D0				
TITLE	RJ45 1X2 8P8C, W/ 10/100 TRANSFORMER, W/LED, SHIELDED			
REV : 01				
UNIT	DRAWN	CHKD	DATE	SHEET
mm[inch]	BOCHEN	DANIEL	Oct. 06, '17	4 of 4