

- 1
- 2
- 3
- 4
- 5
- 6
- 7
- 8
- 9
- 10
- 11
- 12
- 13
- 14
- 15
- 16
- 17
- 18

## MATERIAL

Weldable black-oxide steel.

## ROTATING PINS

Hardened, black-oxide and ground steel.

## SUPPORT BUSHING

Hardened, black-oxide and ground steel.

## ADJUSTING SCREW AND NUT

Zinc-plated steel.

## FEATURES AND APPLICATIONS

MGA.L toggle-joint mechanisms are suitable for a wide range of applications as different parts and accessories can be welded together to create a customised toggle clamp that is able to satisfy all clamping requirements.

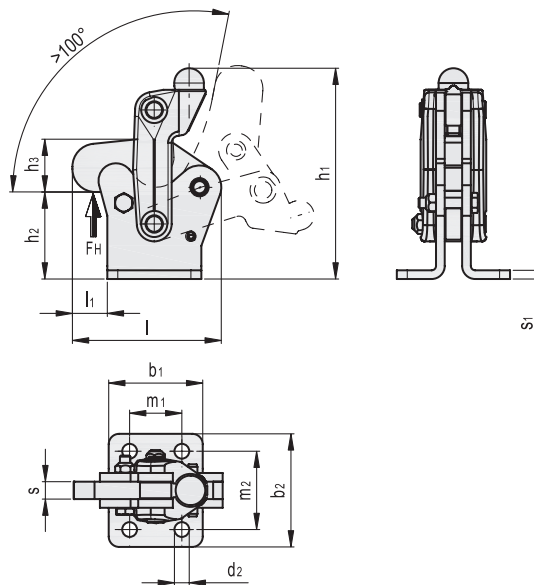
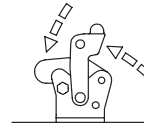
High-quality materials make Long Life series toggle clamps suitable for medium to heavy loads on welding jigs, carpentry works, moulds and in general whenever high clamping torque and repetitive movements are required.

Certified for 1.000.000 cycles.

## ACCESSORIES ON REQUEST

ALL. (see page 1613)

- Handle;
- control lever;
- clamping lever;
- sleeve;
- base.



### METRIC

| Code     | Description | b1 | b2  | d2   | h1  | h2   | h3   | l     | l1   | m1 | m2 | s  | s1  | FH [N]* | ⚖️   |
|----------|-------------|----|-----|------|-----|------|------|-------|------|----|----|----|-----|---------|------|
| GG.AA700 | MGA.LSC01   | 36 | 48  | 6.5  | 74  | 30   | 17.5 | 57.5  | 16   | 20 | 32 | 6  | 3.5 | 2200    | 256  |
| GG.AA725 | MGA.LSC02   | 54 | 65  | 8.5  | 121 | 50   | 28   | 85.5  | 20   | 30 | 45 | 10 | 5   | 4400    | 967  |
| GG.AA750 | MGA.LSC03   | 75 | 75  | 10.5 | 158 | 67   | 35   | 115   | 28   | 55 | 55 | 12 | 6   | 8500    | 1900 |
| GG.AA775 | MGA.LSC04   | 90 | 100 | 12.5 | 193 | 76.5 | 40   | 147.5 | 40.5 | 65 | 75 | 16 | 8   | 15400   | 4185 |

Toggle clamps

\* Holding force.