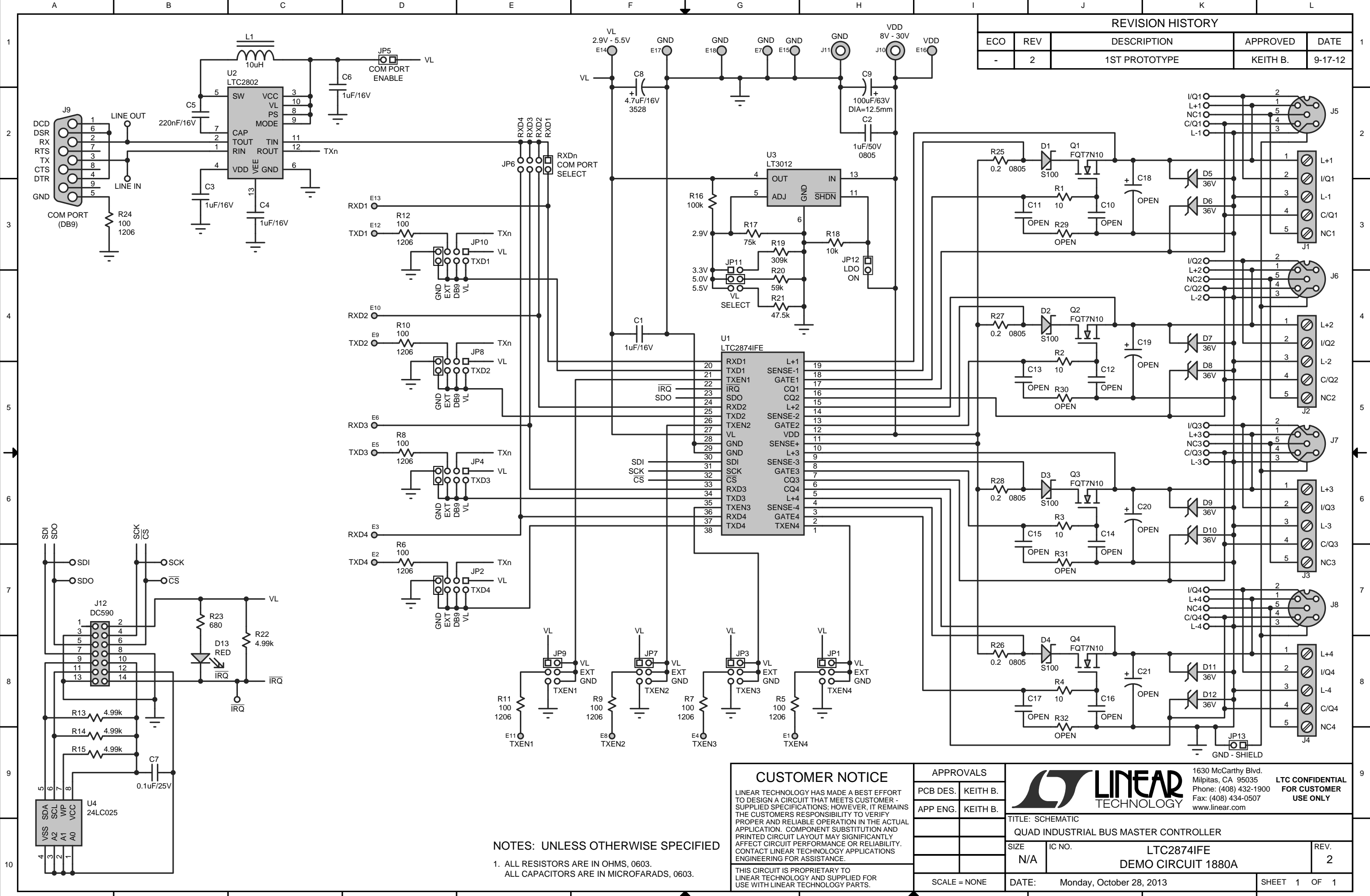


REVISION HISTORY				
ECO	REV	DESCRIPTION	APPROVED	DATE
-	2	1ST PROTOTYPE	KEITH B.	9-17-12



NOTES: UNLESS OTHERWISE SPECIFIED

- ALL RESISTORS ARE IN OHMS, 0603.
- ALL CAPACITORS ARE IN MICROFARADS, 0603.

CUSTOMER NOTICE		APPROVALS			1630 McCarthy Blvd. Milpitas, CA 95035 Phone: (408) 432-1900 Fax: (408) 434-0507 www.linear.com		LTC CONFIDENTIAL FOR CUSTOMER USE ONLY		
LINEAR TECHNOLOGY HAS MADE A BEST EFFORT TO DESIGN A CIRCUIT THAT MEETS CUSTOMER - SUPPLIED SPECIFICATIONS; HOWEVER, IT REMAINS THE CUSTOMERS RESPONSIBILITY TO VERIFY PROPER AND RELIABLE OPERATION IN THE ACTUAL APPLICATION. COMPONENT SUBSTITUTION AND PRINTED CIRCUIT LAYOUT MAY SIGNIFICANTLY AFFECT CIRCUIT PERFORMANCE OR RELIABILITY. CONTACT LINEAR TECHNOLOGY APPLICATIONS ENGINEERING FOR ASSISTANCE.		PCB DES.	KEITH B.		TITLE: SCHEMATIC QUAD INDUSTRIAL BUS MASTER CONTROLLER				
THIS CIRCUIT IS PROPRIETARY TO LINEAR TECHNOLOGY AND SUPPLIED FOR USE WITH LINEAR TECHNOLOGY PARTS.		APP ENG.	KEITH B.	SIZE	N/A	IC NO.	LTC2874IFE	REV.	2
SCALE = NONE		DATE: Monday, October 28, 2013		SHEET 1 OF 1					