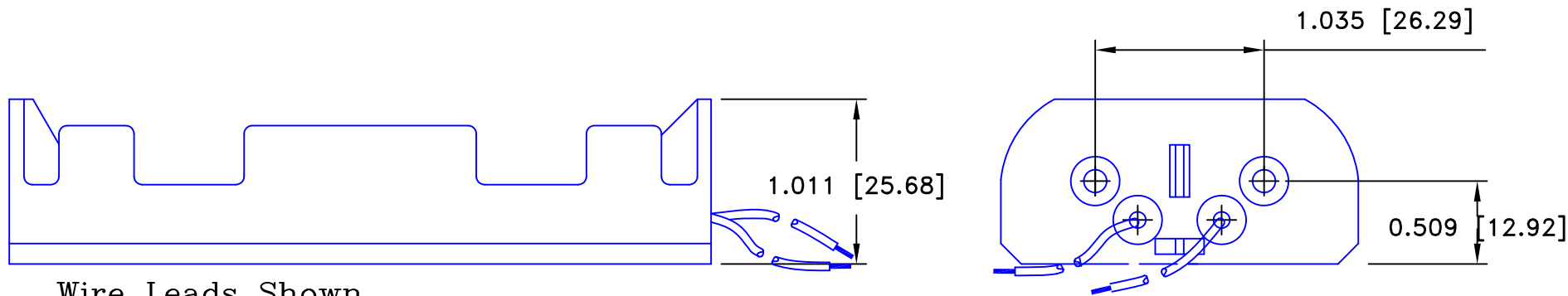
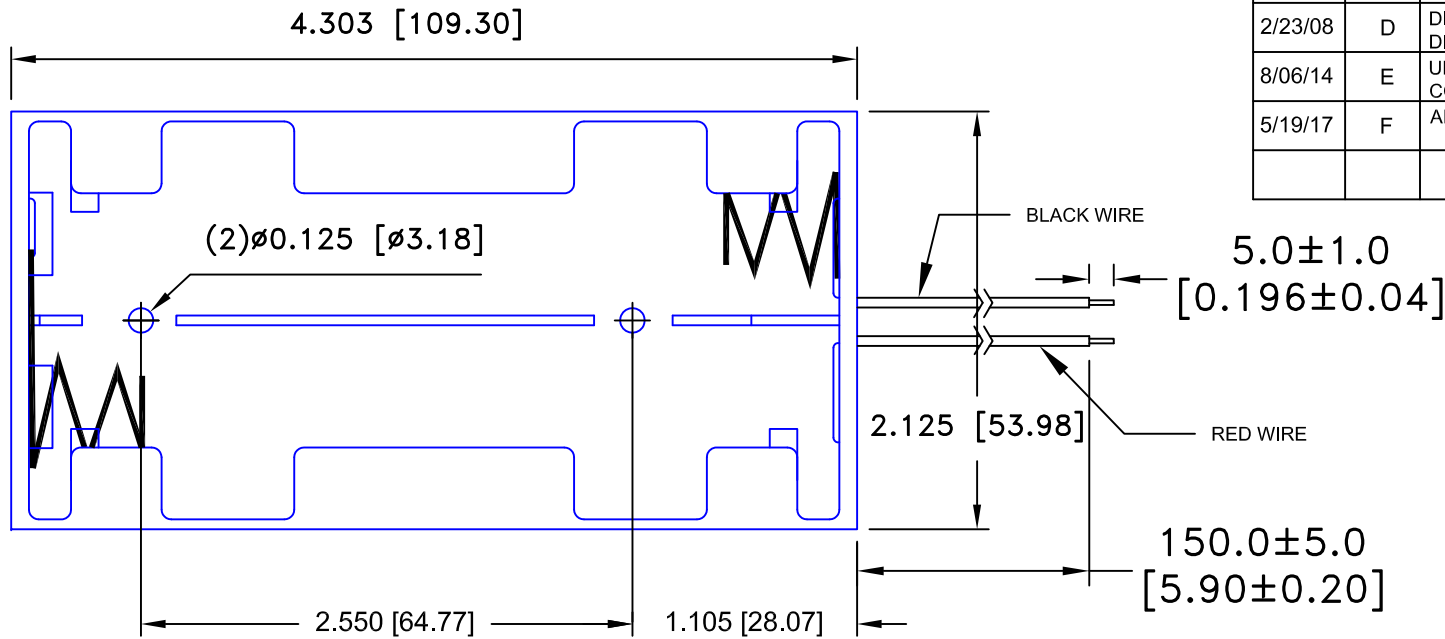



Date	SYM	REVISION RECORD	AUTH	DR.	CK.
2/23/08	D	DIM. 2.550 WAS 2.500 DIM. 1.105 WAS 1.143.	T.B.	B.S.	
8/06/14	E	UPDATED TO ROHS 2 COMPLIANT	T.B.	B.S.	
5/19/17	F	ADDED DIM. 150, 5.0	T.B.	B.S.	



SPECIFICATIONS

Plastic material - Polypropylene, PP-1040
 Flammability Rating -UL94-HB, UL File NO. E216959
 Temperature Range: -10°C to +100°C
 Springs - Nickel Plated Spring Steel
 Wire - 26 AWG, UL1007, CSA, TR64, 300V, 80°C
 Rivets - Brass, Nickel Plated
 CONTACT RESISTANCE: UNDER 50mΩ FOR +/- CONTACTS PER
 EIA-540J000
 ROHS 2 COMPLIANT

Tolerance (Except as noted)	 Memory Protection Devices, Inc 200 Broad Hollow Road, Farmingdale, New York 11735		
	decimal ±.020 (.5)	Scale	Drawn By T.S.
Fractional ± .030 (.8)	Title FOUR "C" CELL HOLDER WITH 6" WIRE LEADS		
Angular ± 3°	Date 5/19/17	Drawing Number BH24CW	
		Approved By T.B.	