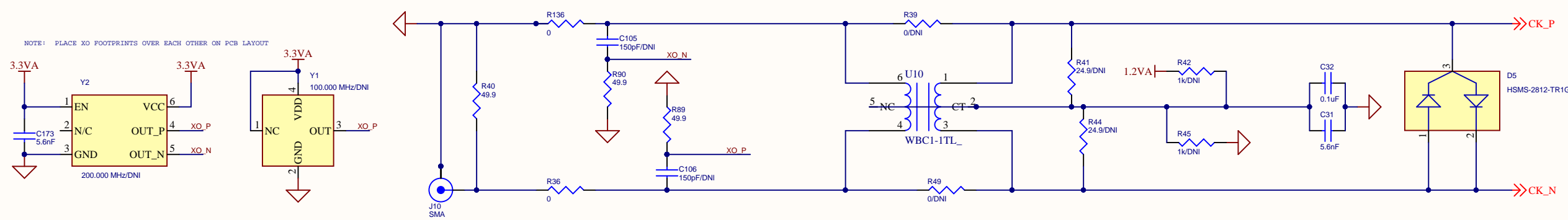
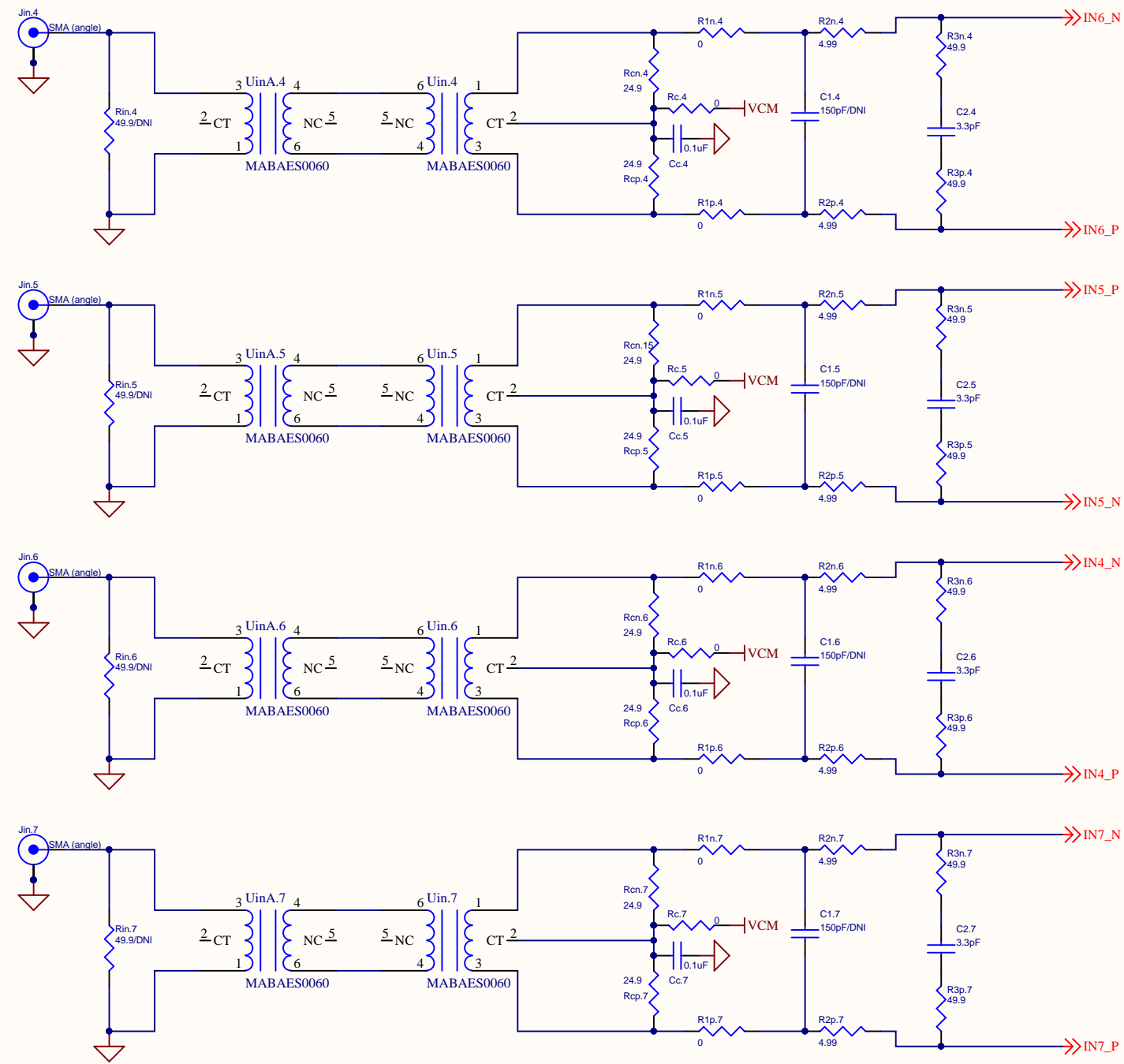
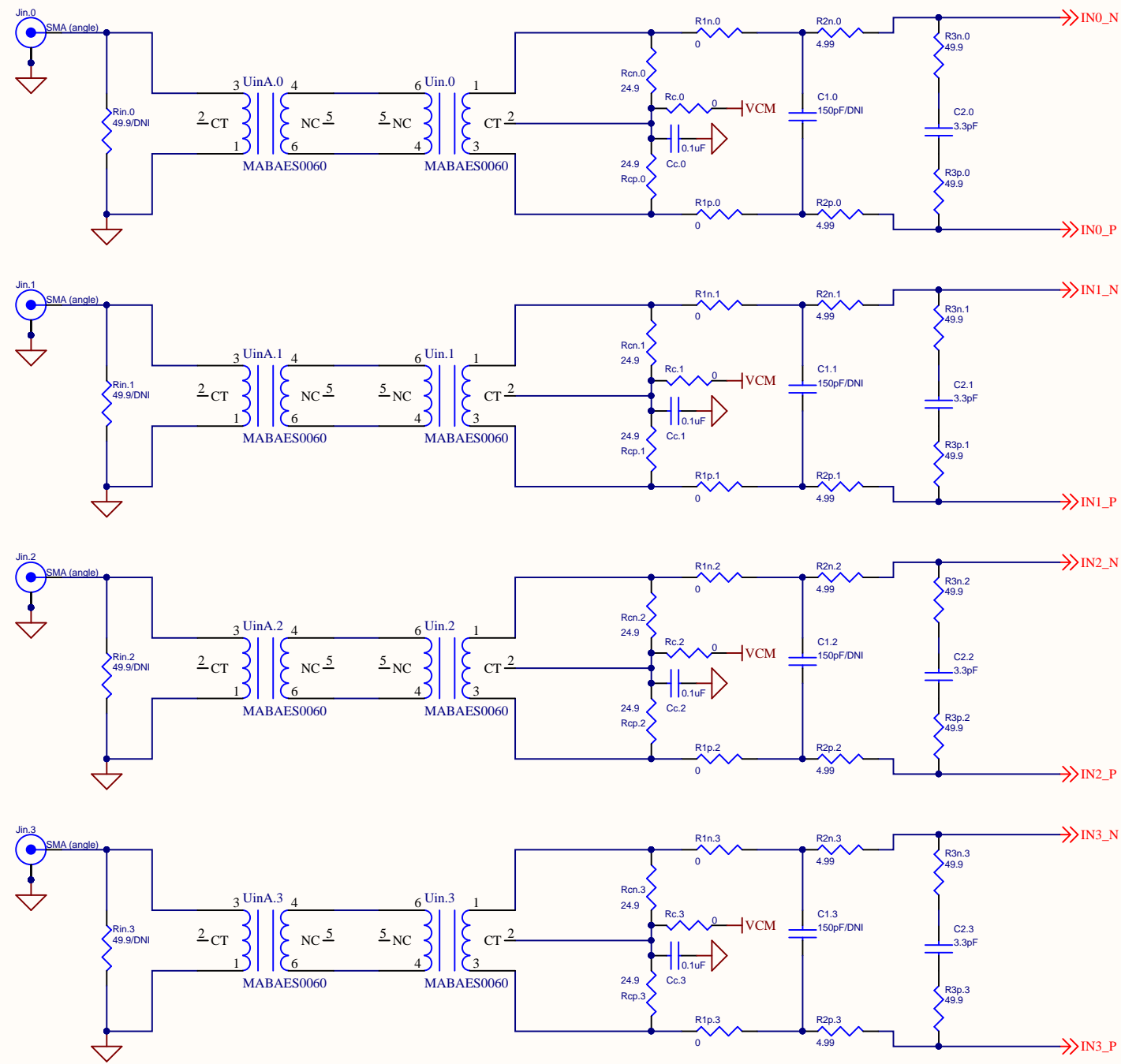
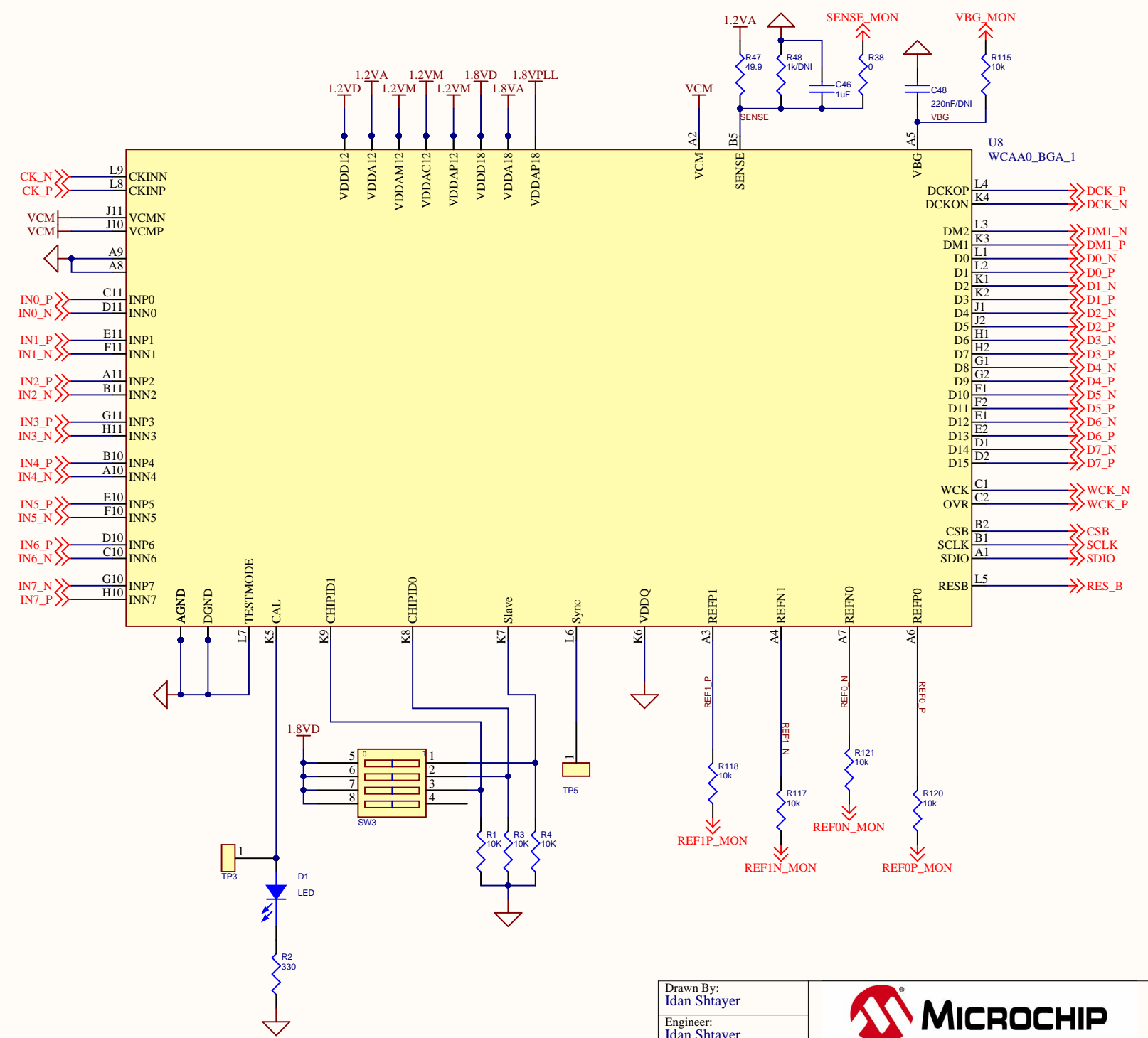
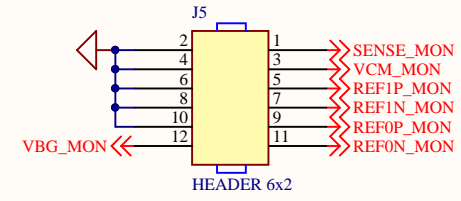
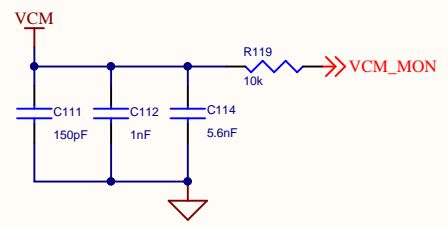
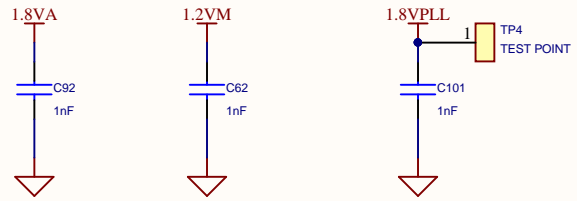


© 7 Jan 2013
 MICROCHIP TECHNOLOGY, INC
 Rev1.0 Dan meacham

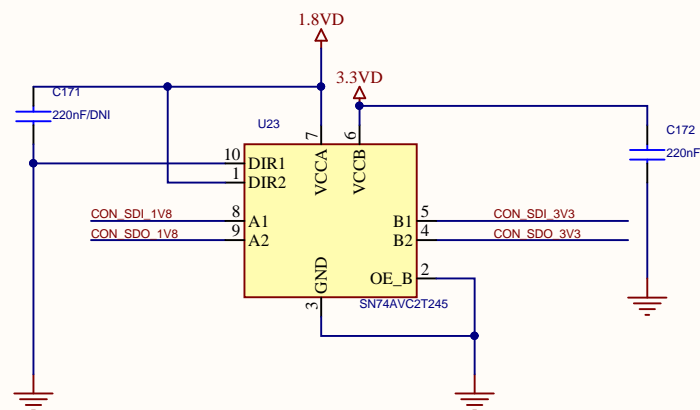
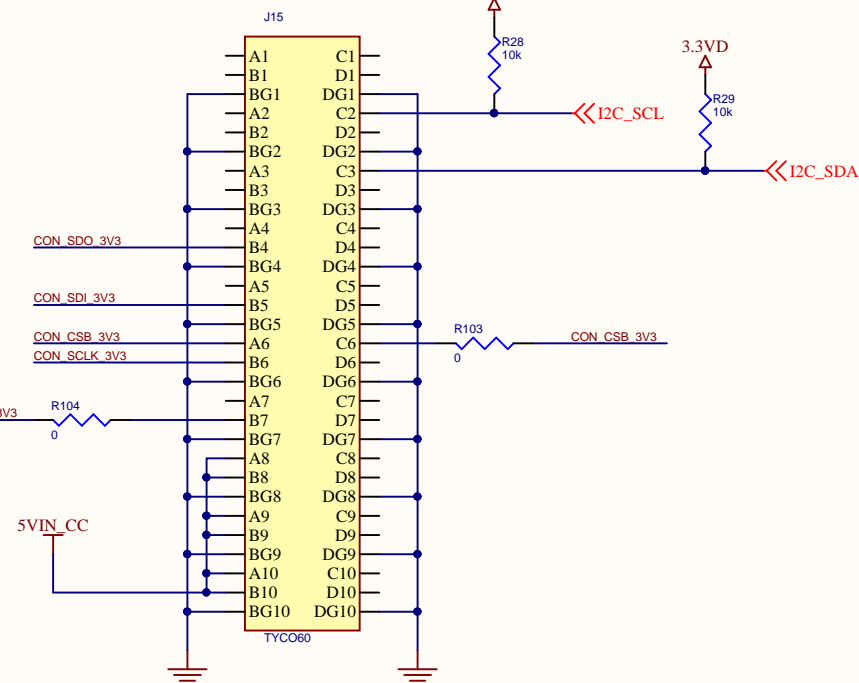
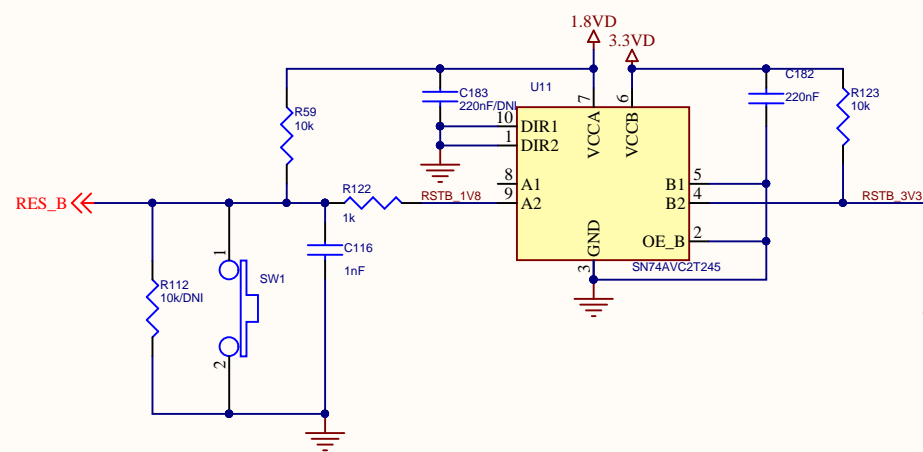
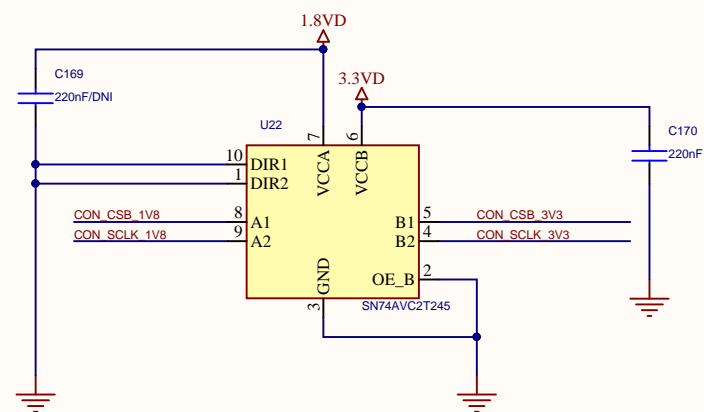
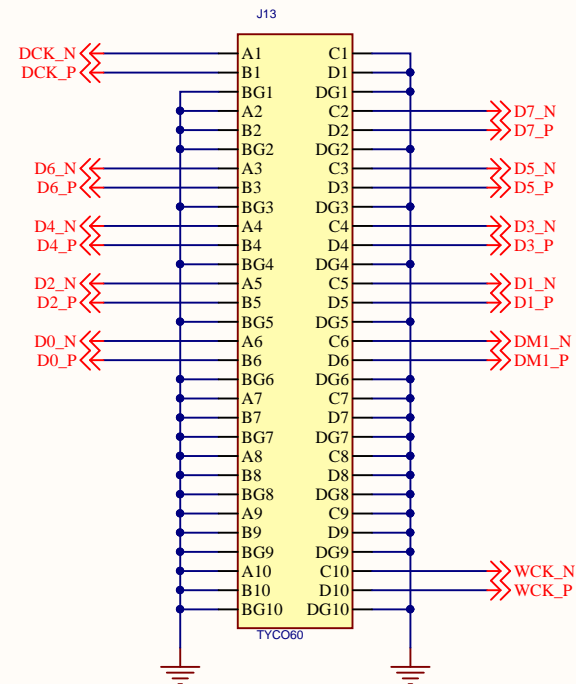
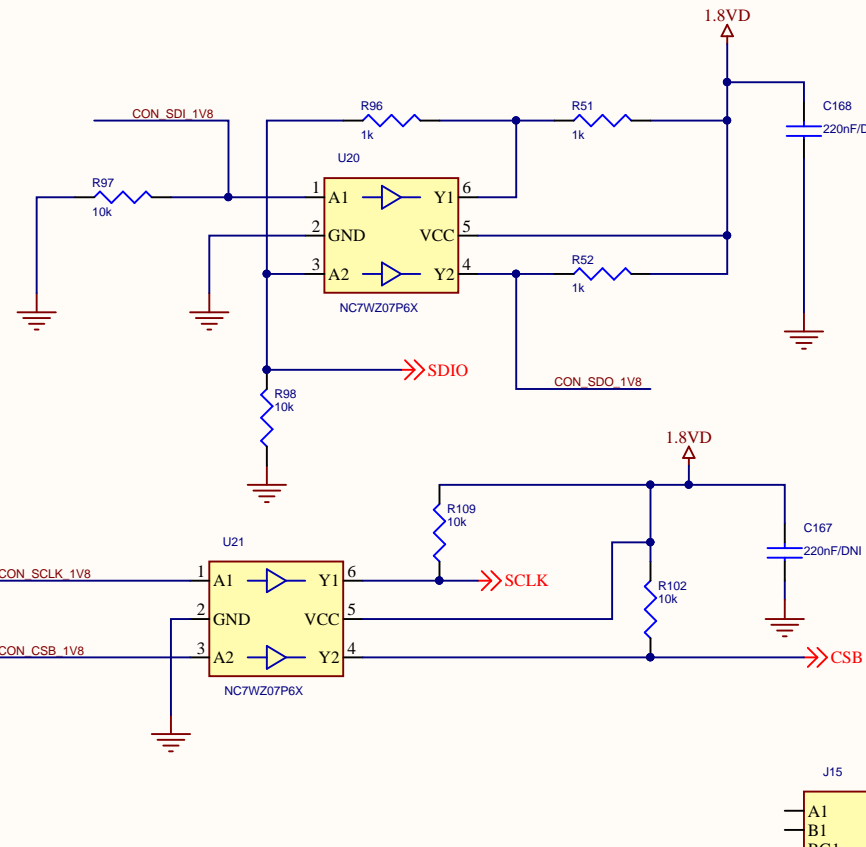
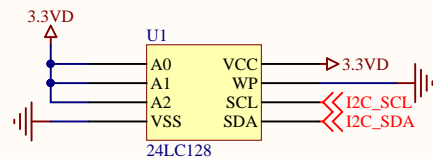
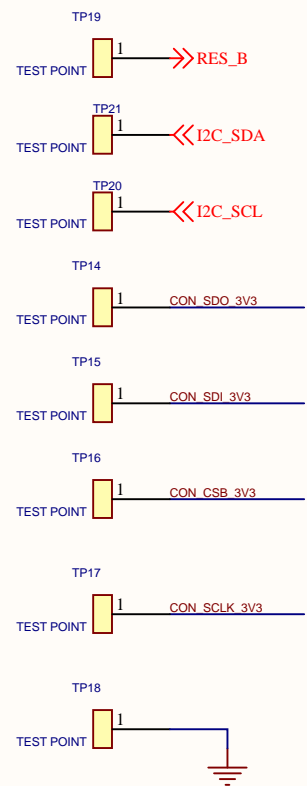
Drawn By: Idan Shtayer		
Engineer: Idan Shtayer		
PartNumber: ADM00700		Project Title MCP37x3x-200 16-Bit Evaluation Board
Sheet Title Block Diagram Circuit Schematic		Designed with
Size B	Sch #03-10470	Date: 8/22/2016 2:00:52 PM
	Revision:1	Sheet 1 of 6
File: 1 - Block Diagram MCHP Format.SchDoc		



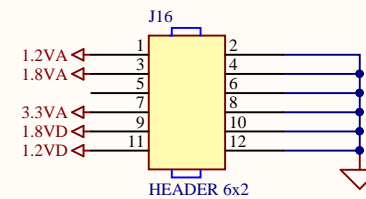
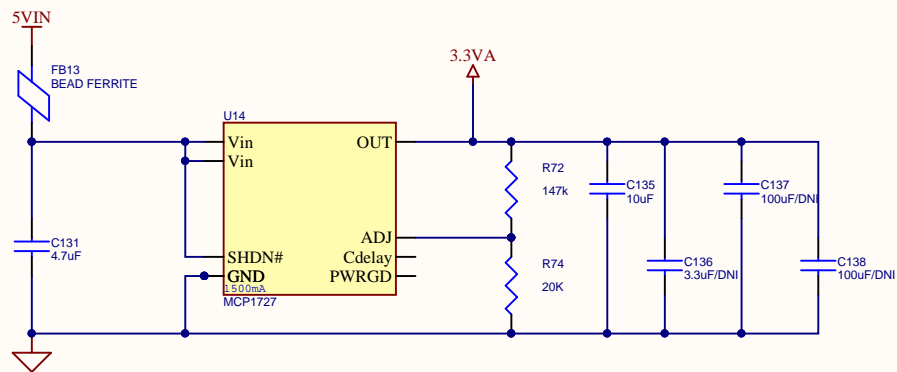
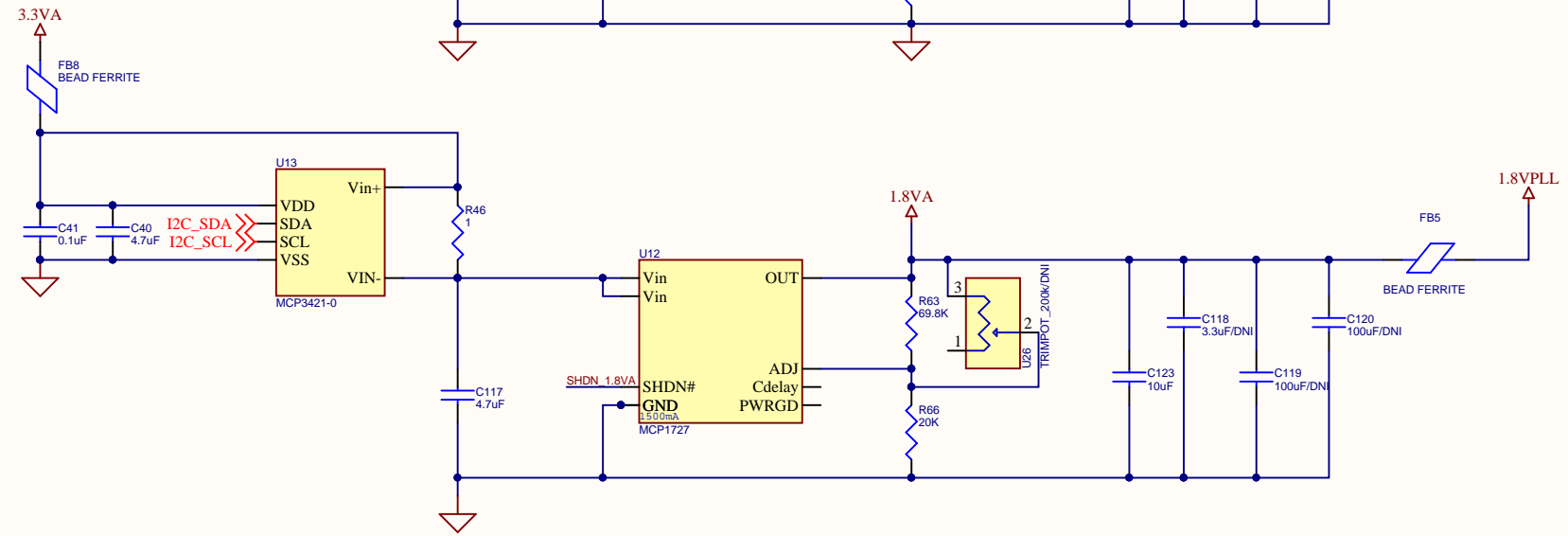
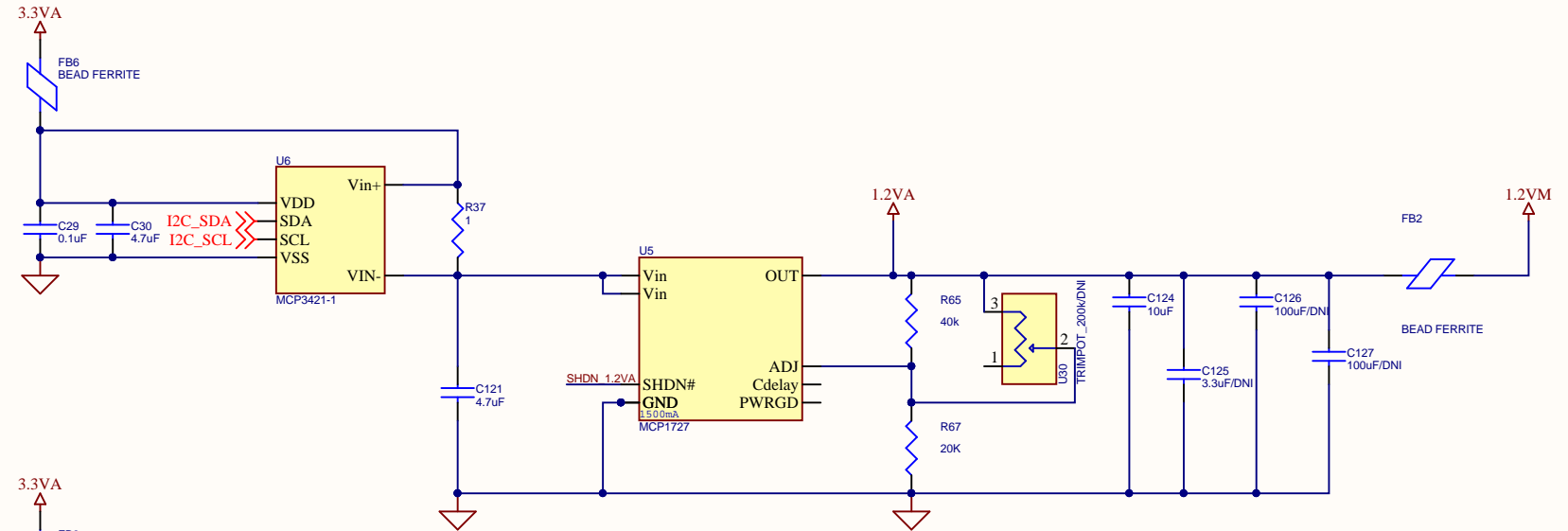
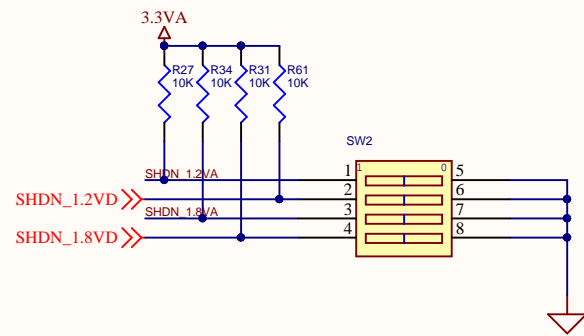
Drawn By: Idan Shtayer	
Engineer: Idan Shtayer	
PartNumber: ADM00700	Project Title MCP37x3x-200 16-Bit Evaluation Board
Sheet Title Inputs and Clock	Designed with
Size C	Sch #03-10470 Date: 8/22/2016 2:00:53 PM
	Revision: 1 Sheet 2 of 6
File: 2 - INPUT AND CLOCK NET MCHP Format: SchDoc	



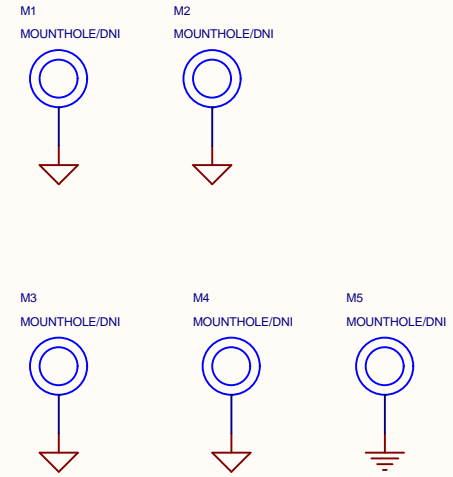
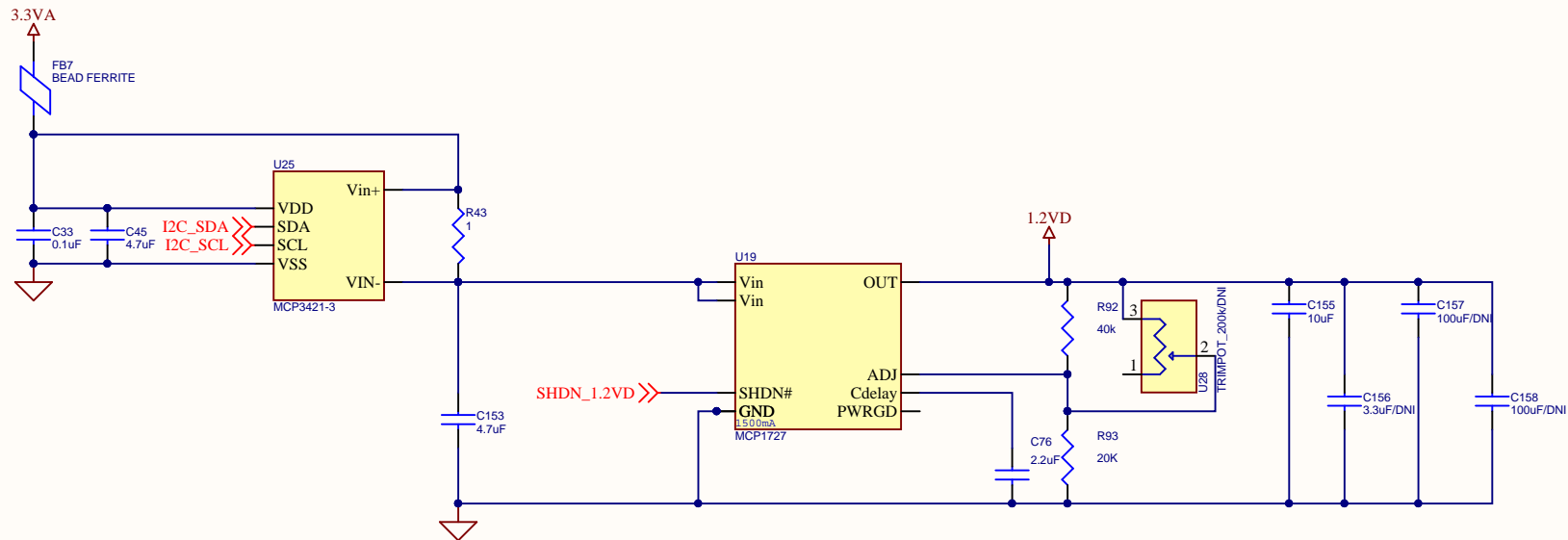
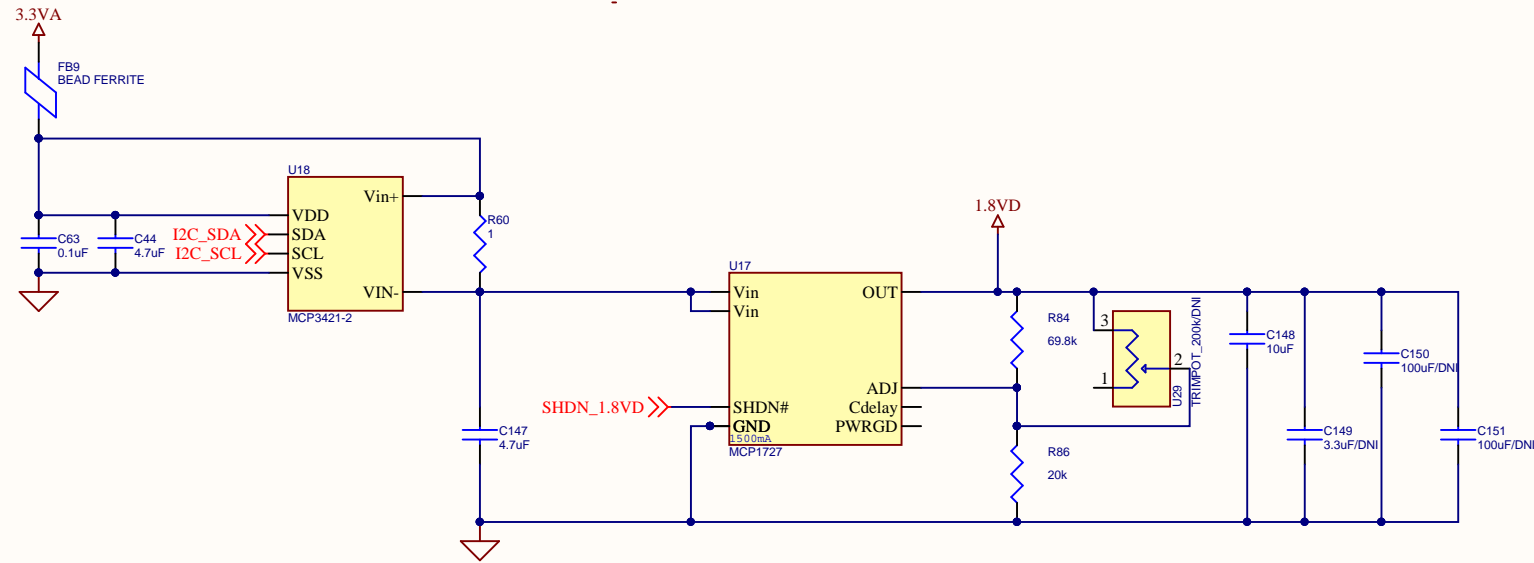
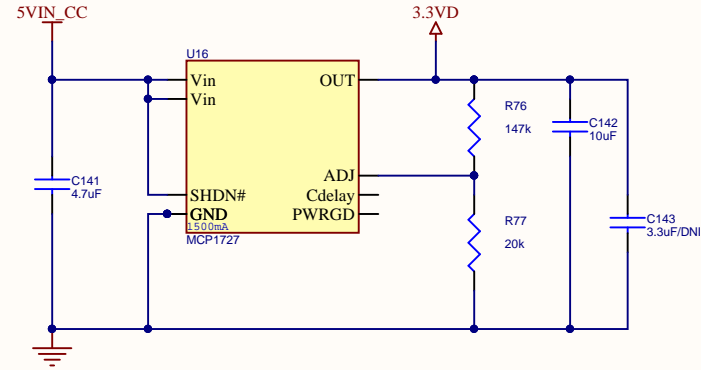
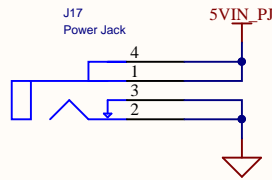
Drawn By: Idan Shtayer		
Engineer: Idan Shtayer		
PartNumber: ADM00700	Project Title MCP37x3x-200 16-Bit Evaluation Board	
Sheet Title DUT and References	Designed with 	
Size B	Sch #03-10470	Date: 8/22/2016 2:00:55 PM
	Revision:1	Sheet 3 of 6
File: 3 - WCAA0_BGA MCHP Format.SchDoc		



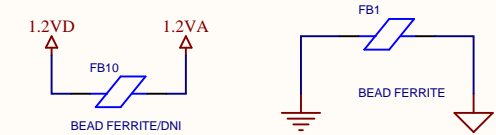
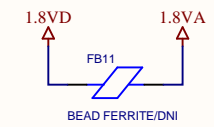
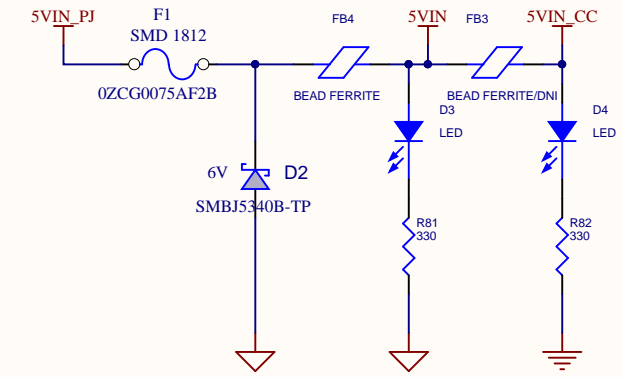
Drawn By: Idan Shtayer		
Engineer: Idan Shtayer		
PartNumber: ADM00700		Project Title MCP37x3x-200 16-Bit Evaluation Board
Sheet Title Connectors and SPI		Designed with
Size B	Sch #03-10470	Date: 8/22/2016 2:00:55 PM
	Revision:1	Sheet 4 of 6
File: 4 - CONNECTORS MCHP Format_SchDoc		



Drawn By: Idan Shtayer		
Engineer: Idan Shtayer		
PartNumber: ADM00700		Project Title MCP37x3x-200 16-Bit Evaluation Board
Sheet Title Analog Regulators		Designed with
Size B	Sch #03-10470	Date: 8/22/2016 2:00:56 PM
	Revision:1	Sheet 5 of 6
File: 5 - ANALOG REGULATORS MCHP Format.SchDoc		



NOTE: PCB MAY BE POWERED FROM EXTERNAL POWER JACK OR CAPTURE CARD INTERFACE



Drawn By:
Idan Shtayer

Engineer:
Idan Shtayer

PartNumber:
ADM00700

Sheet Title
Digital Regulators

Size B

Sch #03-10470

Date: 8/22/2016 2:00:57 PM

Revision:1

Sheet 6 of 6

File: 6 - DIGITAL REGULATORS MCHP Format.SchDoc



Project Title
MCP37x3x-200 16-Bit Evaluation Board

Designed with



Altium.com