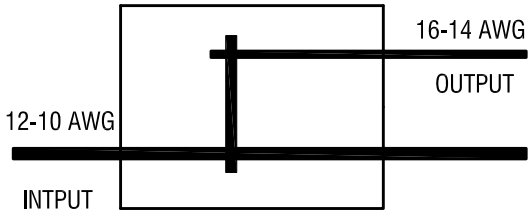
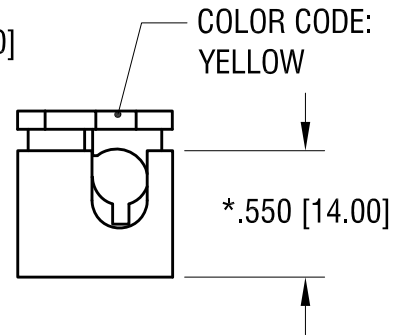
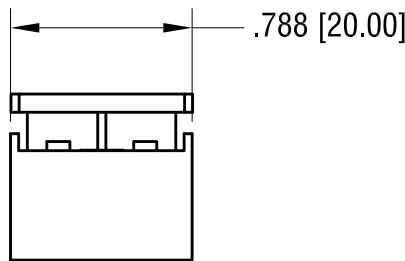
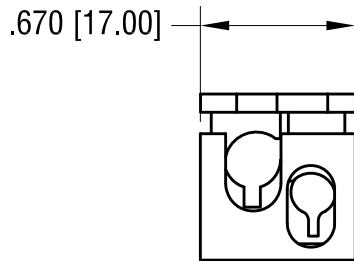
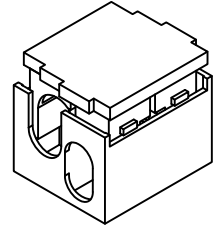


THIS DOCUMENT IS THE PROPERTY OF KEYSTONE ELECTRONICS CORP. AND SHALL NOT BE REPRODUCED, DISTRIBUTED OR USED AS A BASIS FOR MANUFACTURE WITHOUT PRIOR WRITTEN PERMISSION FROM KEYSTONE ELECTRONICS CORP.

**SCHEMATIC**



**ACTUAL SIZE:**



**NOTE:**

1. INSULATION: MAT'L- POLYCARBONATE, LEXAN UL 94V-0
2. CONTACT: MAT'L- COPPER ALLOY  
FINISH- TIN PLATE, OVER NICKEL PLATE
3. FOR WIRE: SOLID WIRE  
WIRE SIZE: 12 AWG MIN. - 10 AWG MAX., INPUT  
16 AWG MIN. - 14 AWG MAX., OUTPUT
4. RATED VOLTAGE 300V  
RATED CURRENT: 20A
5. UL LISTED: E490623

\* HEIGHT OF CLOSED CONNECTOR

<b>KEYSTONE ELECTRONICS CORP.</b>			
www.keyelco.com • NEW HYDE PARK, NY 11040 • Tel (516) 328-7500			
PART NAME			
T - SERIES WIRE CONNECTOR			
MATERIAL			
AS NOTED			
FINISH		DRN BY	DATE
AS NOTED		NT	1.06.17
		APP'D	SCALE
		LN	1.2X
TOLERANCES	INCH [MM]	CODE	DWG NO.
DECIMAL	± .010 [± 0.25]	C	<b>8381</b>
ANGULAR	± 1°		
UNLESS OTHERWISE SPECIFIED			

DATE	DESCRIPTION	REV.	
------	-------------	------	--