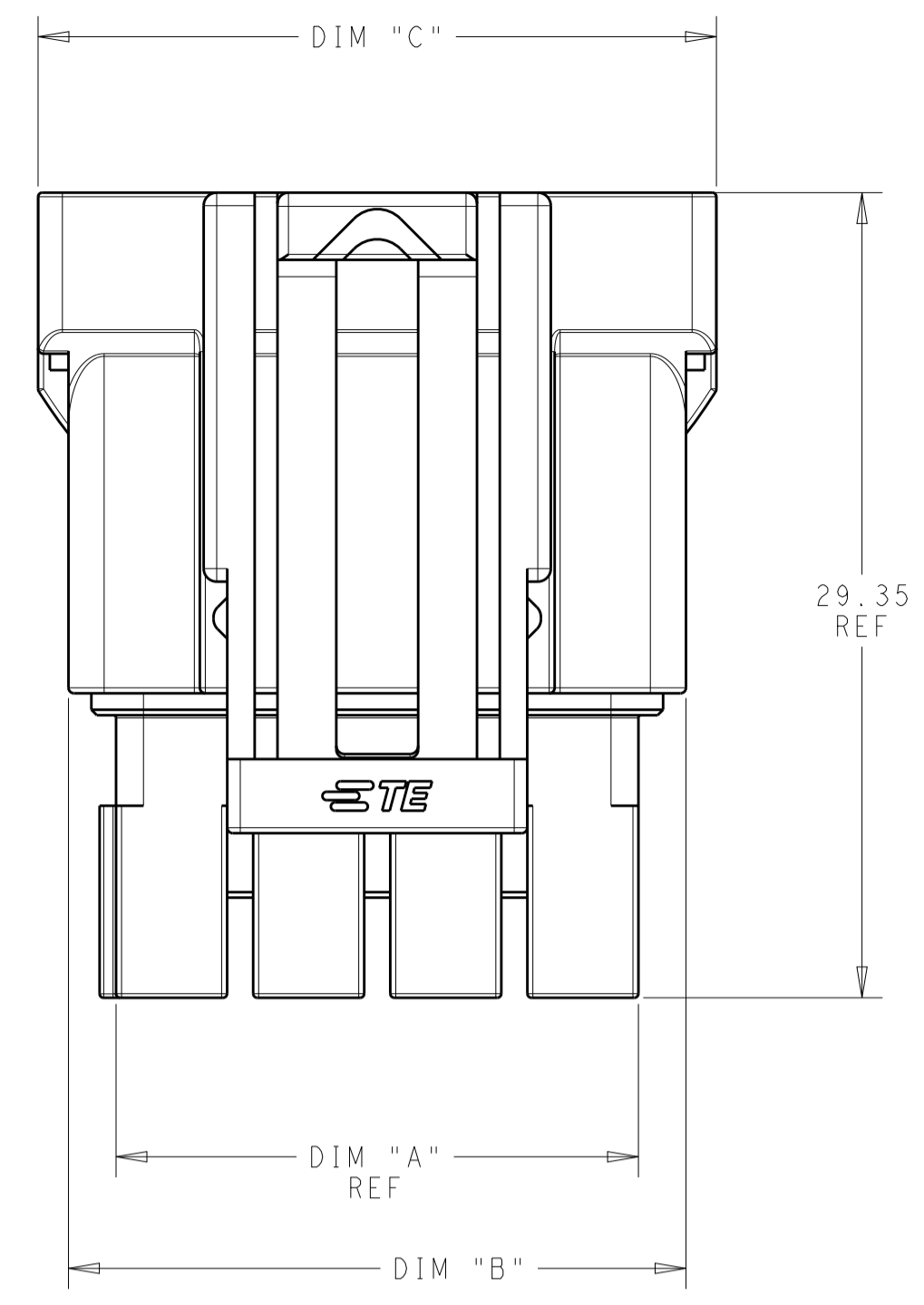
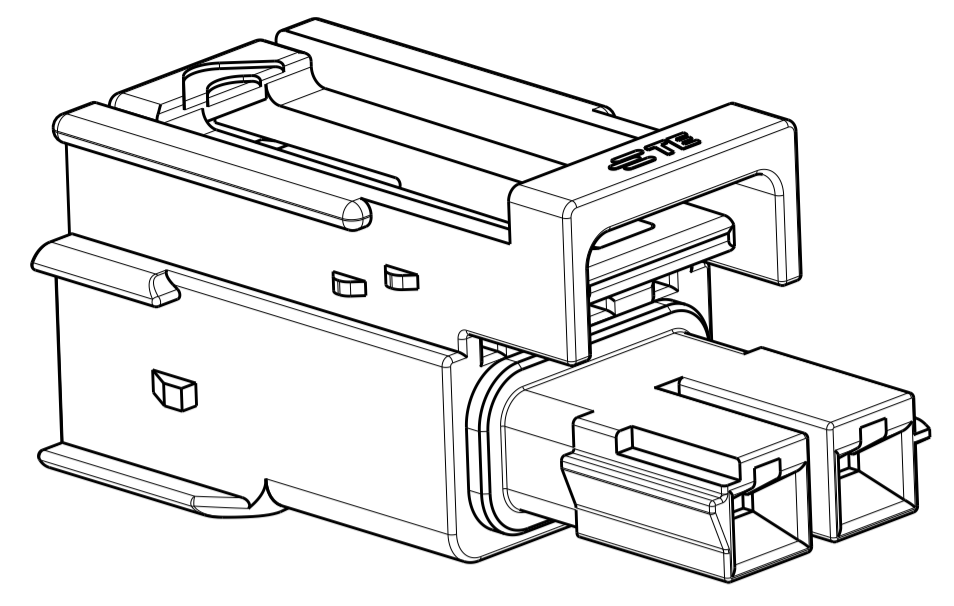


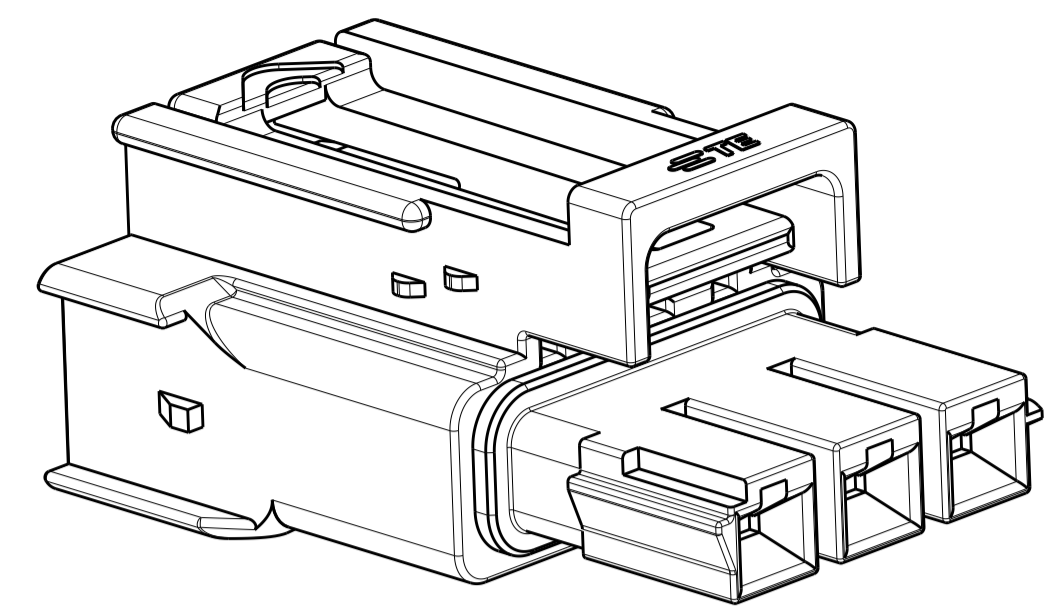
REVISIONS				
P.	LTM	DESCRIPTION	DATE	OWN - APVD
A		RELEASED PER ECN-20-100548	30OCT2020	JP VS



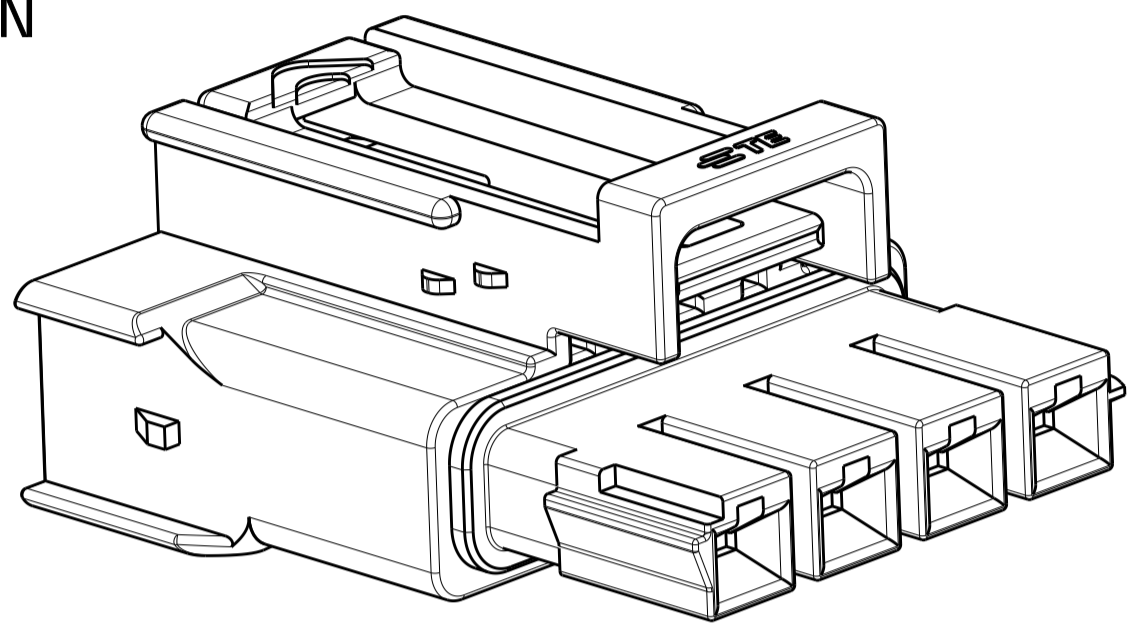
29.35 REF



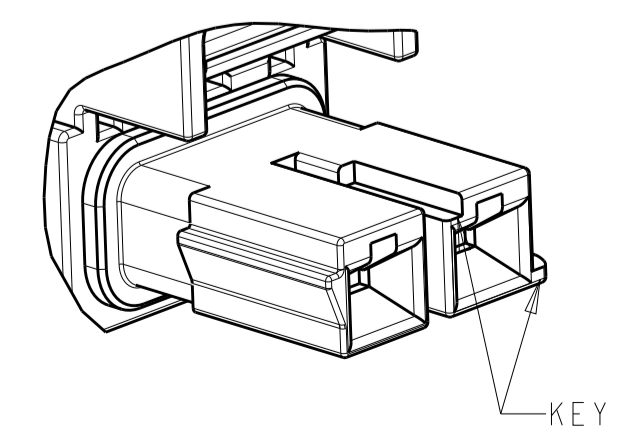
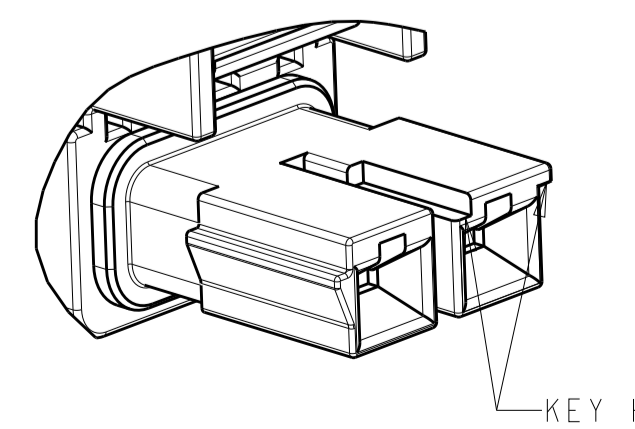
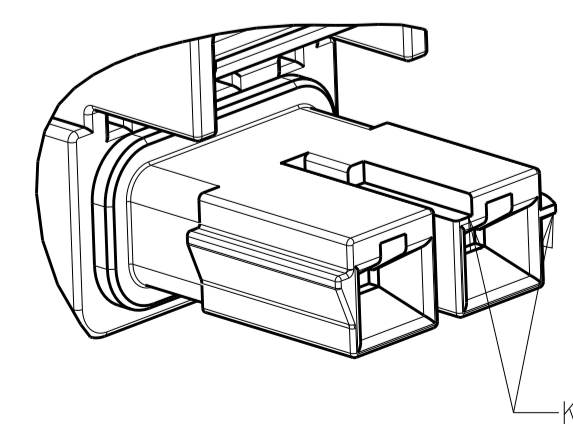
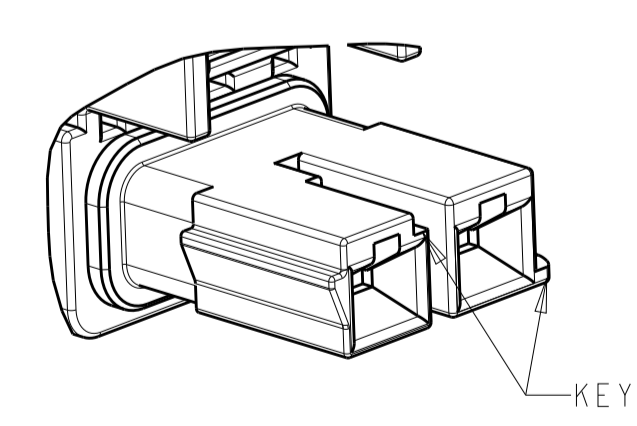
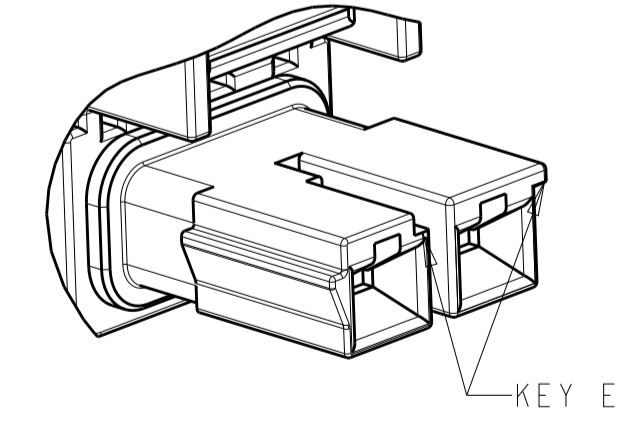
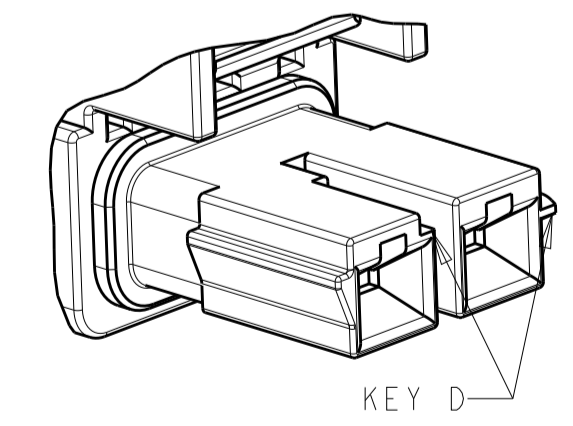
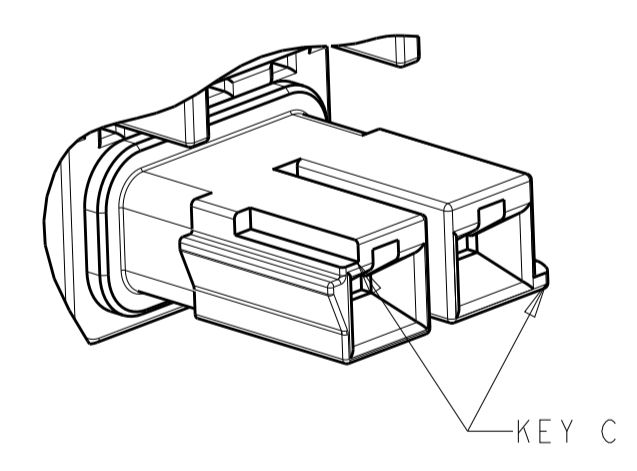
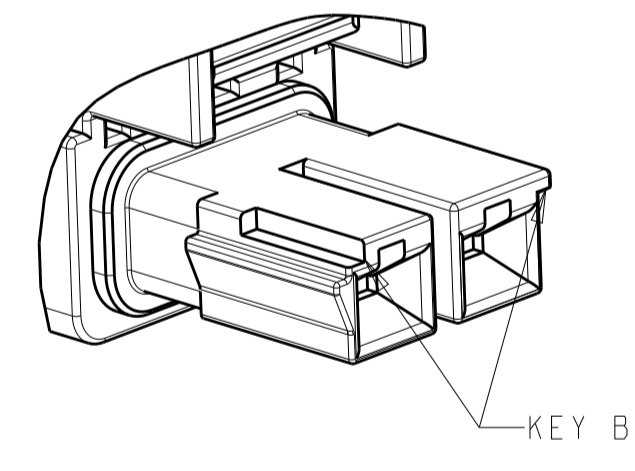
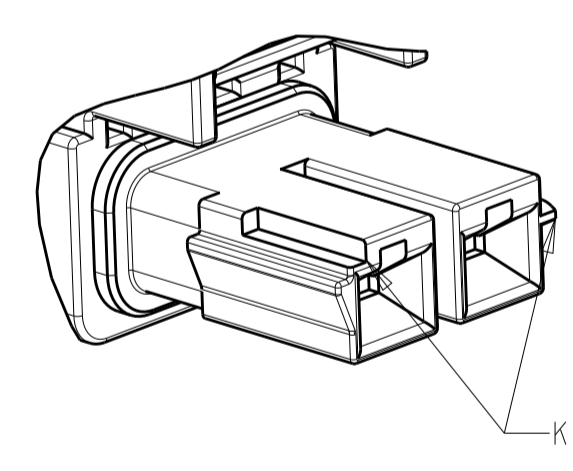
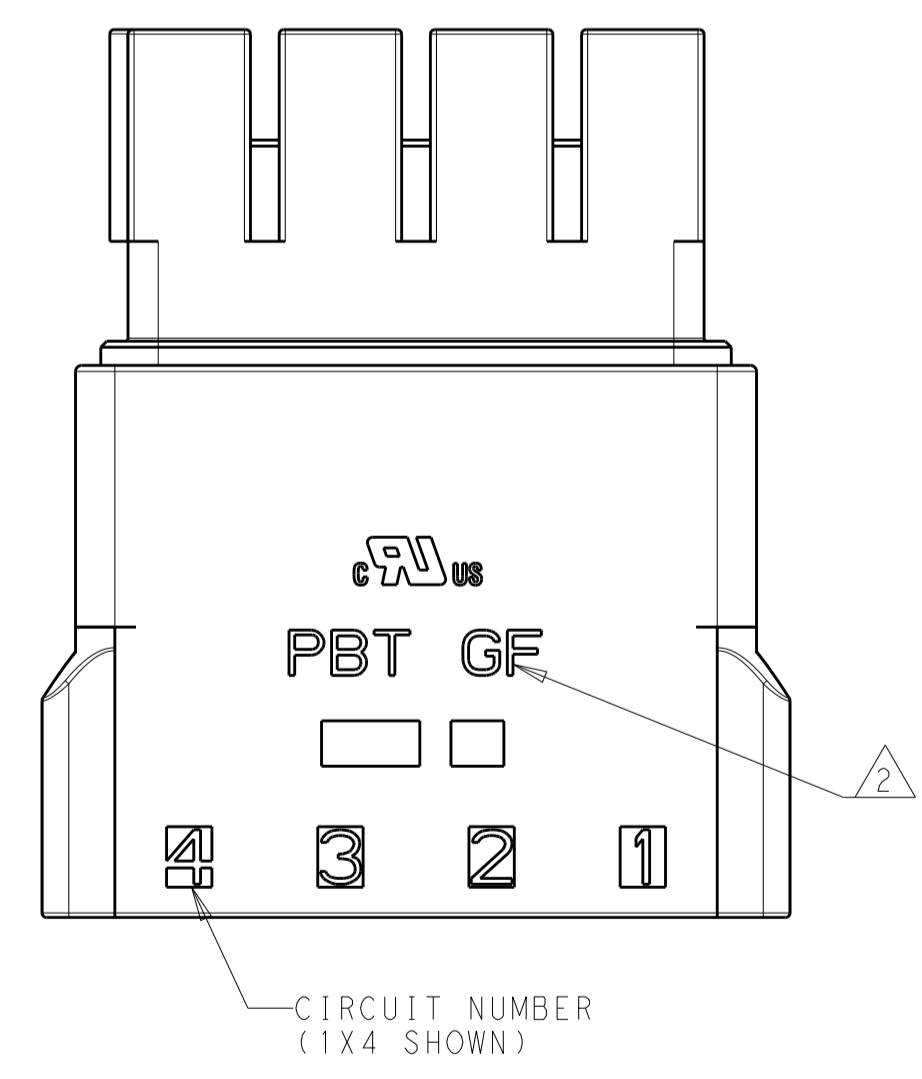
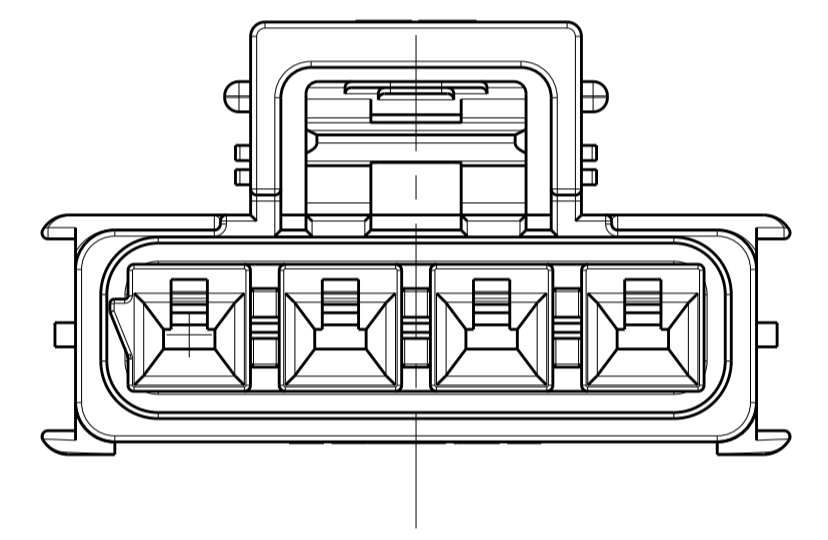
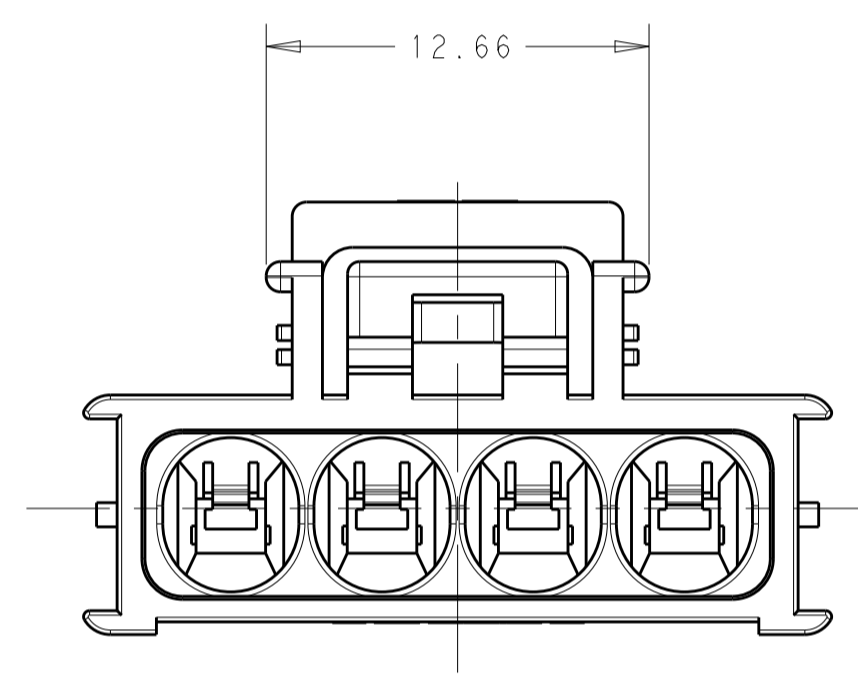
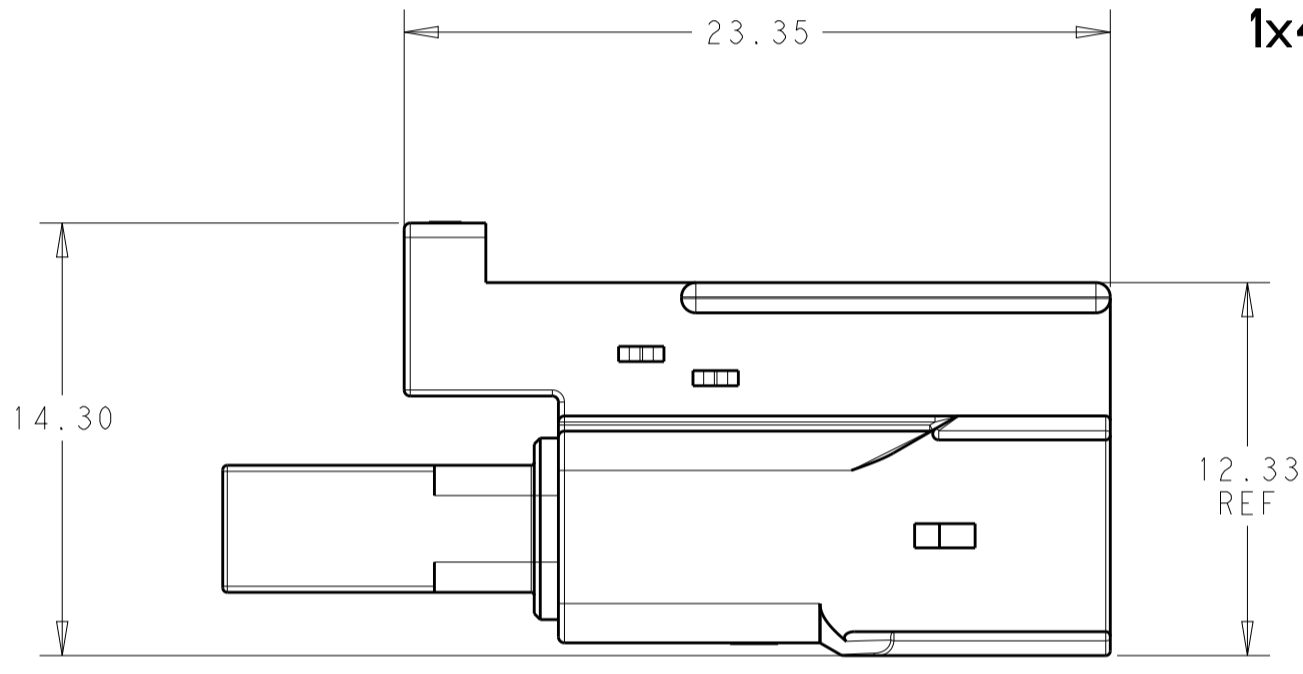
1x2 POSITION



1x3 POSITION



1x4 POSITION



△ MATERIAL: PBT, GLASS FILLED
 KEY A: NATURAL; KEY B: GREY; KEY C: BROWN
 KEY D: RED; KEY E: ORANGE; KEY F: VIOLET
 KEY G: YELLOW; KEY H: BLUE; KEY I: GREEN

△ MATERIAL MARK: PBT GF

- APPLICABLE CONTACT P/N:
 2329913-*/2329916-*/2329912-*/2329914-*/2329915-*/2329917-*
- MATING CONNECTOR P/N
 RECEP: HSG: *2378158-
 TPA: 2329016-
 BACK COVER: 2334614-
 INTERFACE SEAL: 2325347-
 GANG SEAL: 2325349-*
- FLAMMABILITY RATING: UL94 V-0

24.66	22.52	19.05	KEY C	1*4	3-2378159-4
24.66	22.52	19.05	KEY B	1*4	2-2378159-4
24.66	22.52	19.05	KEY A	1*4	1-2378159-4
19.66	17.52	14.05	KEY C	1*3	3-2378159-3
19.66	17.52	14.05	KEY B	1*3	2-2378159-3
19.66	17.52	14.05	KEY A	1*3	1-2378159-3
14.66	12.52	9.05	KEY I	1*2	9-2378159-2
14.66	12.52	9.05	KEY H	1*2	8-2378159-2
14.66	12.52	9.05	KEY G	1*2	7-2378159-2
14.66	12.52	9.05	KEY F	1*2	6-2378159-2
14.66	12.52	9.05	KEY E	1*2	5-2378159-2
14.66	12.52	9.05	KEY D	1*2	4-2378159-2
14.66	12.52	9.05	KEY C	1*2	3-2378159-2
14.66	12.52	9.05	KEY B	1*2	2-2378159-2
14.66	12.52	9.05	KEY A	1*2	1-2378159-2
DIM C	DIM B	DIM A	KEYING	POSITIONS	PART NUMBER

THIS DRAWING IS A CONTROLLED DOCUMENT. DWN: B. WEAVER 17AUG2020
 CHK: D. SWARTZ 17AUG2020
 APVD: V. SHETLAR 17AUG2020

TE Connectivity
STE
 PLUG HOUSING, POWER VERSA-LOCK

PRODUCT SPEC: 108-143081
 APPLICATION SPEC: 114-143082

SIZE: A1 CAGE CODE: 00779 DRAWING NO: 2378159
 WEIGHT: -
 MATERIAL: PBT GF
 FINISH: -
 CUSTOMER DRAWING

SCALE: 4:1 SHEET: 1 OF 1 REV: A