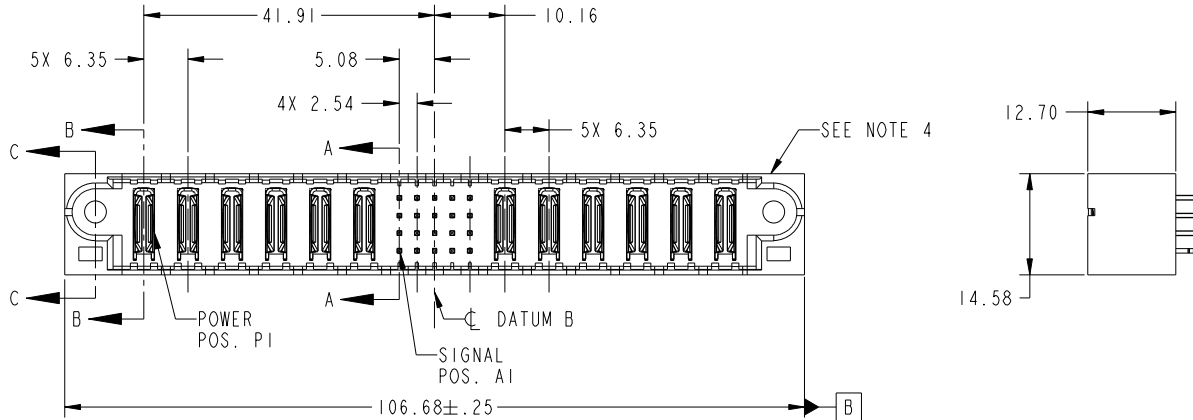


Tous droits strictement reserves. Reproduction ou communication a des tiers interdite sous quelque forme que ce soit sans autorisation écrite du propriétaire. Propriete de c FCI. Droits de reproduction FCI.



All rights strictly reserved. Reproduction or issue to third parties in any form whatever is not permitted without written authority from the proprietor. Property of FCI. Copyright FCI.

PRODUCT NO.	ROWS	POWER						SIGNAL					POWER							
		E1	P1	P2	P3	P4	P5	P6	1	2	3	4	5	P7	P8	P9	P10	P11	P12	E2
51952-077... NOTE: 3	D C B A		PA	PA	PA	PA	PA	PA	E	E	E	E	E	PA	PA	PA	PA	PA	PA	



CODE	DIM "M" MATING LENGTH	CONTACT TYPE
PA	[N/A]	POWER
E	[6.86]	SIGNAL
HA	[N/A]	HOLD-DOWN

mat'l code				SEE NOTE		tolerances unless otherwise specified		CUSTOMER		FCI	
ltr	ecn no.	dr	date	linear	0.X ± 0.5	COPY		www.fciconnect.com		title	
A	DG05-0331	GuoJM	09/14/05		0.XX ± 0.25	projection		6P + 20S + 6P		VERTICAL STB HEADER	
B	DG05-0563	RYAN	12/26/05	angles	0.XXX ± 0.10	MIM		product family		PwrBlade	code
C	DG07-0498	JW	09/12/08		0° ± 2°	scale		size		A	213
				dr	JM Guo 09/14/05	1:1		dwg no		51952-077	
				enrg	SLUO 09/14/05			sheet		1 of 4	
				chr	VICTOR LIN 09/14/05			cage code		22526	
				appd	JOSEPH HSIA 09/14/05						
sheet index	revision sheet	C 1	C 2	C 3	C 4						

Pro/E

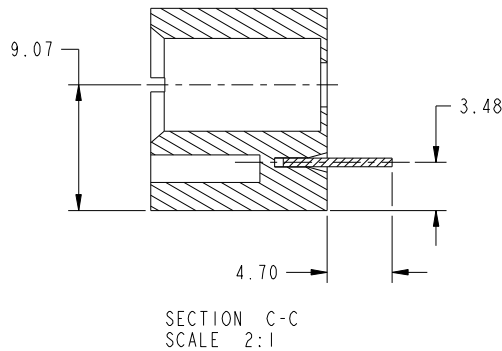
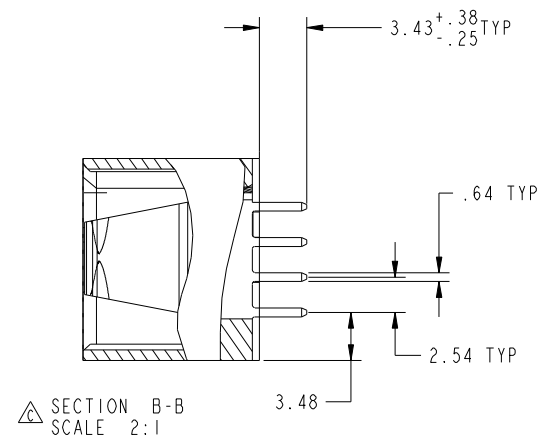
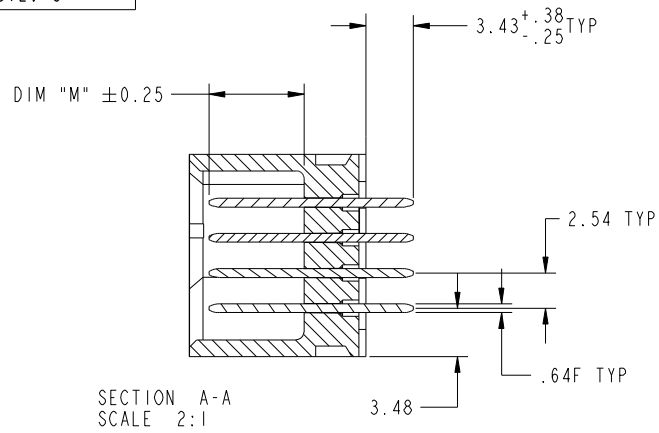
cage code 22526

Tous droits strictement reserves. Reproduction ou communication a des tiers interdite sous quelque forme que ce soit sans autorisation écrite du propriétaire. Propriete de c FCI. Droits de reproduction FCI.



All rights strictly reserved. Reproduction or issue to third parties in any form whatever is not permitted without written authority from the proprietor. Property of FCI. Copyright FCI.

PRODUCT NUMBER
51952-077--
NOTE: 3



mat'l code		SEE NOTE		tolerances unless otherwise specified		CUSTOMER		www.fciconnect.com	
ltr	ecn no.	dr	date	linear	0.X ±0.5	COPY		title	
c					0.XX ±0.25	projection		6P + 20S + 6P VERTICAL STB HEADER	
				angles	0.XXX ±0.10			product family PwrBlade code	
				dr	JM Guo 09/14/05	MIM		213	
				enr	SLUO 09/14/05			size	
				chr	VICTOR LIN 09/14/05	1:1		dwg no	
				appd	JOSEPH HSIA 09/14/05			51952-077	
sheet index		revision sheet						sheet	
								2	

cage code 22526

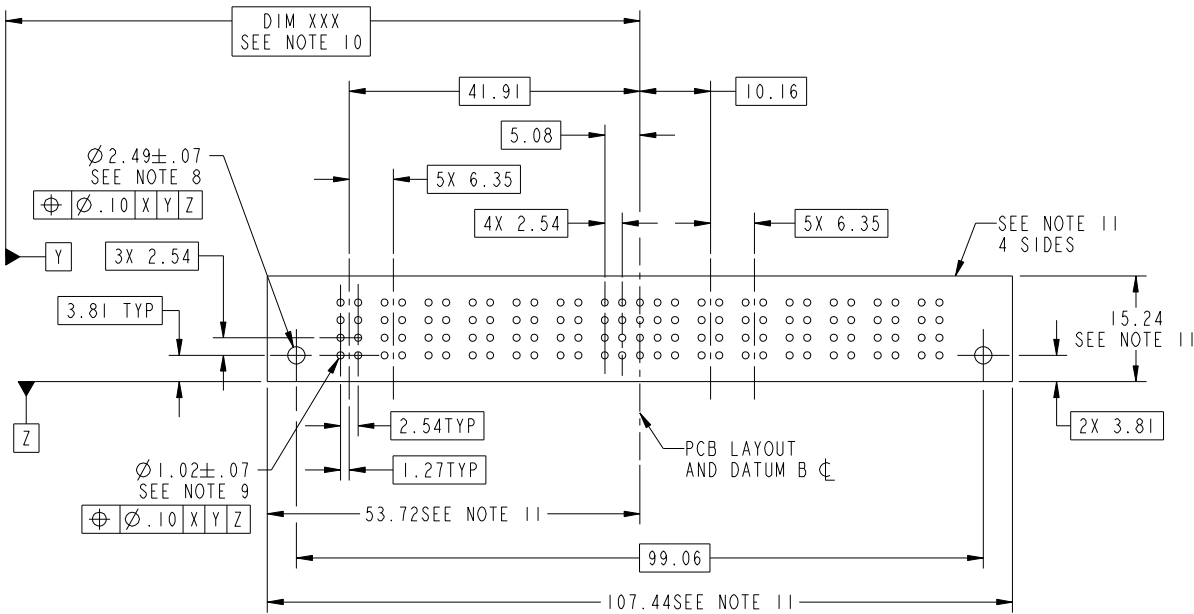
Pro/E

Tous droits strictement reserves. Reproduction ou communication a des tiers interdite sous quelque forme que ce soit sans autorisation écrite du propriétaire. Propriete de c FCI. Droits de reproduction FCI.



All rights strictly reserved. Reproduction or issue to third parties in any form whatever is not permitted without written authority from the proprietor. Property of FCI. Copyright FCI.

PRODUCT NUMBER
51952-077--
NOTE: 3



mat'l code		SEE NOTE		tolerances unless otherwise specified		CUSTOMER		www.fciconnect.com	
ltr	ecn no.	dr	date	linear	0.X ± 0.5	COPY		title	
C					0.XX ± 0.25	projection		6P + 20S + 6P VERTICAL STB HEADER	
				angles	0.XXX ± 0.10			product family PwrBlade code	
				dr	0° + 2°	MIM		size	
				enr	JM Guo 09/14/05			dwg no 213	
				chr	SLUO 09/14/05	scale		sheet 3	
				appd	VICTOR LIN 09/14/05	1:1		51952-077	
					JOSEPH HSIA 09/14/05				
sheet index	revision sheet								

cage code 22526

Pro/E

Tous droits strictement reserves. Reproduction ou communication a des tiers interdite sous quelque forme que ce soit sans autorisation écrite du propriétaire. Propriete de c FCI. Droits de reproduction FCI.



All rights strictly reserved. Reproduction or issue to third parties in any form whatever is not permitted without written authority from the proprietor. Property of FCI. Copyright FCI.

A

B

PRODUCT NUMBER		51952-077--		NOTE: 3	
NOTES:					
1. DIMENSIONS AND TOLERANCES ARE IN ACCORDANCE WITH ASME Y14.5M, 1994 UNLESS OTHERWISE SPECIFIED.					
CONNECTOR NOTES:					
2	HOUSING MATERIAL: UL 94 V-0 GLASS FILLED HIGH-TEMP THERMOPLASTIC				
	POWER CONTACT MATERIAL: COPPER ALLOY				
	SIGNAL PIN MATERIAL: COPPER ALLOY				
3.	PLATING: SEE ITEM 1 & 2 IN PRINT 10064183 FOR PLATING SPEC OF 51952-077; 51952-077ILF RESPECTIVELY				
4	MANUFACTURER'S NAME, P/N, AND DATE CODE TO APPEAR ON THIS SURFACE.				
5.	PRODUCT SPECIFICATION GS-12-149. APPLICATION SPECIFICATION BUS-20-067.				
6.	PACKAGED IN TRAYS.				
PCB NOTES:					
7.	ALL HOLE DIAMETERS ARE FINISHED HOLE SIZE.				
8.	MOUNTING HOLES, WHERE APPLICABLE, ARE UNPLATED.				
9	Ø 1.151±0.025 DRILLED HOLES PLATED WITH) 0.008 MIN SnPb OR Sn OVER 0.03 TO 0.08 Cu PLATING TO ACHIEVE Ø 1.02±.07 HOLE.				
10	"DIM XXX" TO BE DETERMINED BY THE CUSTOMER.				
11	CONNECTOR KEEP-OUT ZONE.				
12.	FOR PRESS FIT APPLICATION USE FCI CAM TOOL 430169-XXX.				
13.	A SYMBOL WILL BE NEXT TO ANY DIMENSION, VIEW, OR NOTE WHICH HAS BEEN MODIFIED WITH THE CURRENT DRAWING REVISION.				
mat'l code		SEE NOTE		tolerances unless otherwise specified	
ltr	ecn no.	dr	date	linear	0.X ±0.5
C				linear	0.XX ±0.25
				linear	0.XXX ±0.10
				angles	0° ±2°
		dr	JM Guo 09/14/05		
		enrg	SLUO 09/14/05		
		chr	VICTOR LIN 09/14/05		
		appd	JOSEPH HSIA 09/14/05		
sheet index	revision sheet				
CUSTOMER		COPY		www.fciconnect.com title 6P + 20S + 6P VERTICAL STB HEADER product family PwrBlade code 213 size dwg no 51952-077 sheet 4 scale 1:1 A	
cage code 22526		Pro/E		3	

A

B

1 | 2

3 |

4

1 | 2

3 |

4