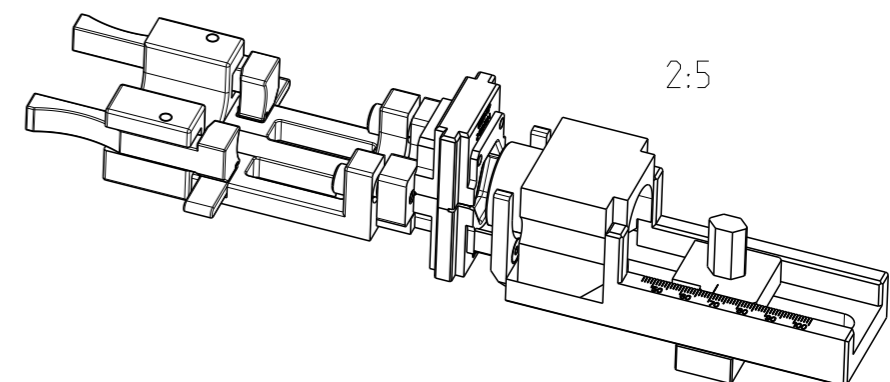
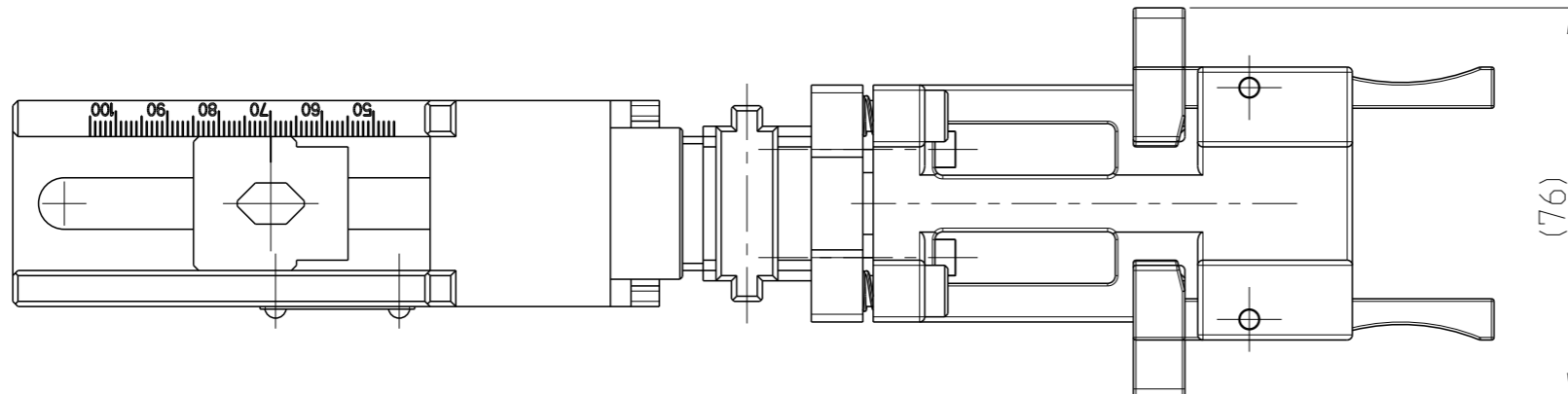
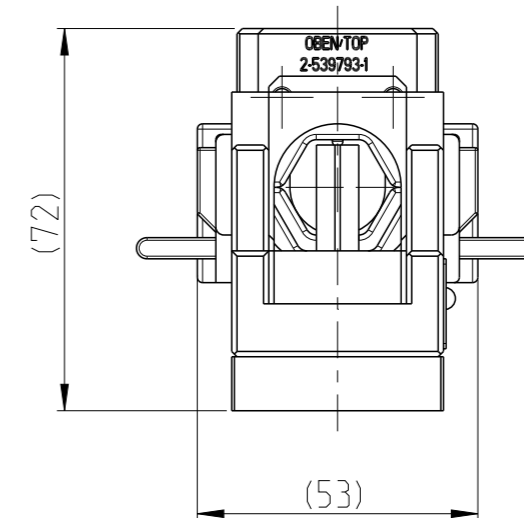
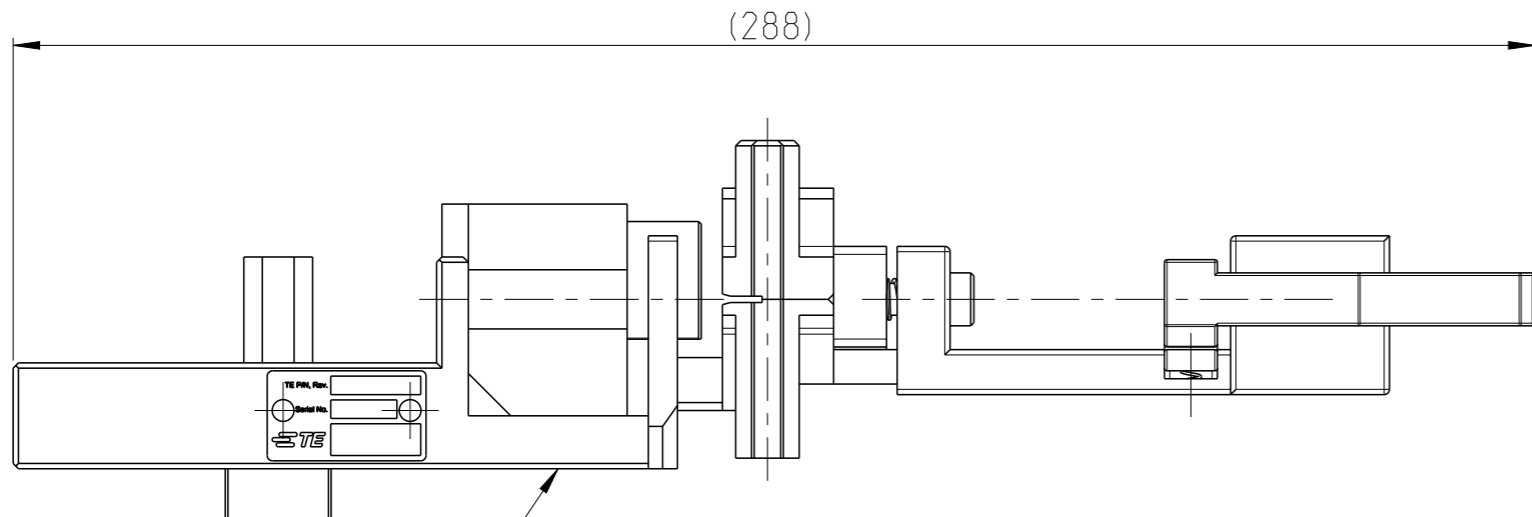


REVISIONS

P	LTR	DESCRIPTION	DATE	DWN	APVD
	F	ECR-20-013721	25SEP2020	LS	GS



USED WITH:
 TE P/N 528008-4 - HV CRIMPING MACHINE
 TE P/N 541868-1 - AT66 DIE-SET ADAPTER, HV

USED WITH CONTACT:
 TE P/N 1670813-2 - EMC, CRIMP SLEEVE, IPT
 Included with
 TE P/N 1670814-1 - EMC, CRIMP CONTACT, IPT

NOTE:
 USED FOR CRIMPED RING TONGUE; TE P/N 1670815-1

USED FOR WIRE:
 HEW & G&G - 70SQ.MM

APPLICATION SPECIFICATION: 114-18769

Position 1 included:

3	1	2-1722332-2	A	HV-WIRE FIXTURE, 17-20MM, ASSEMBLY		
2	1	7-563080-0	A	TOOL ASSEMBLY INCL. LOCATOR, IPT 70SQ.MM		
1	1	2-539793-1	B	CRIMP DIE SET, BRAID IPT 70SQ.MM		
ITEM NO	PCS	TE P/N	REV	DESCRIPTION	MANUF.	ITEM- NO. MANUF.

THIS DRAWING IS A CONTROLLED DOCUMENT.		DWN L.SANDHU 25SEP2020												
DIMENSIONS: mm		CHK L.SANDHU 25SEP2020												
TOLERANCES UNLESS OTHERWISE SPECIFIED:		APVD G.STEGMAYER 25SEP2020												
<table border="0"> <tr><td>0 PLC</td><td>±</td></tr> <tr><td>1 PLC</td><td>±</td></tr> <tr><td>2 PLC</td><td>±</td></tr> <tr><td>3 PLC</td><td>±</td></tr> <tr><td>4 PLC</td><td>±</td></tr> <tr><td>ANGLES</td><td>±</td></tr> </table>		0 PLC					±	1 PLC	±	2 PLC	±	3 PLC	±	4 PLC
0 PLC	±													
1 PLC	±													
2 PLC	±													
3 PLC	±													
4 PLC	±													
ANGLES	±													
MATERIAL -		FINISH -	NAME DIE SET, LOCATOR IPT CONTACT 70 SQ.MM	SIZE A3	CAGE CODE 00779	DRAWING NO C-3-528040-4								
RESTRICTED CUSTOMER		WEIGHT 1.8 kg	RESTRICTED TO	SCALE 7:10	SHEET 1 OF 1	REV F								