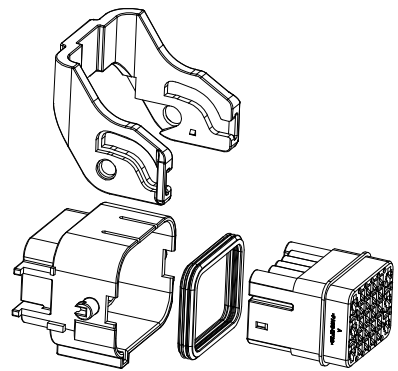
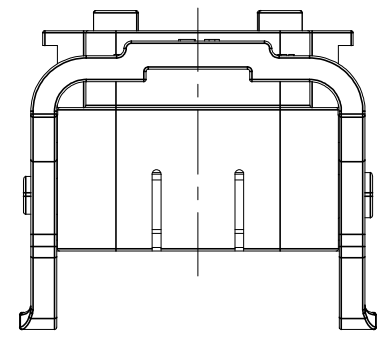
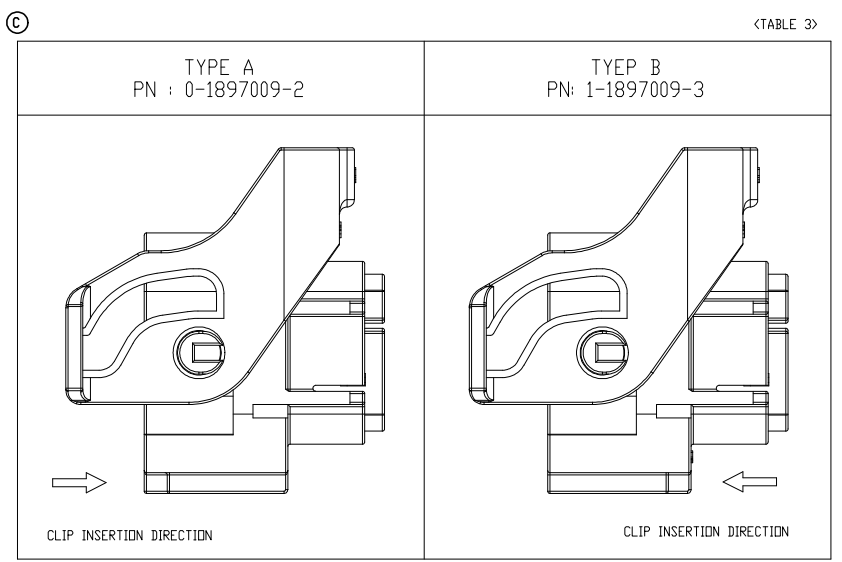


P	LTR	DESCRIPTION	DATE	DWN	APVD
C		REVISED (ECR-16-00995B)	31DEC2016	S.J	J.W
D		REVISED (ECR-16-016370)	28NOV2016	J.M	K.T
E		REVISED (ECR-17-010547)	19JUL2017	S.J	K.T
F		REVISED (ECR-23-166035)	23MAR2023	C.I	K.T

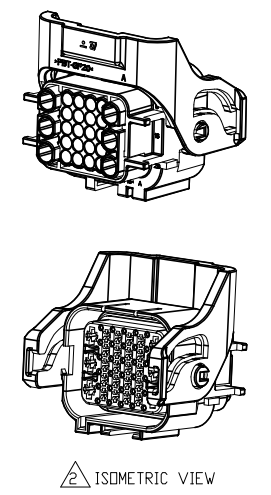


3D EXPLODE VIEW
(SCALE: 1:1)



CLIP INSERTION DIRECTION

CLIP INSERTION DIRECTION



ISOMETRIC VIEW

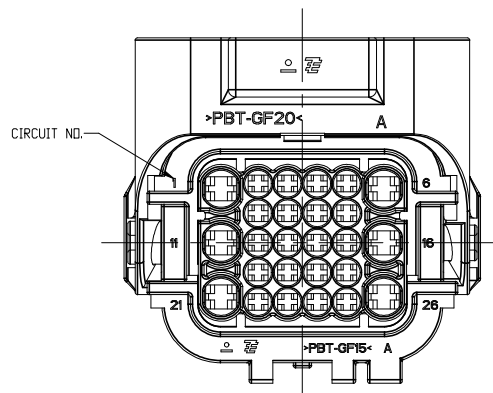
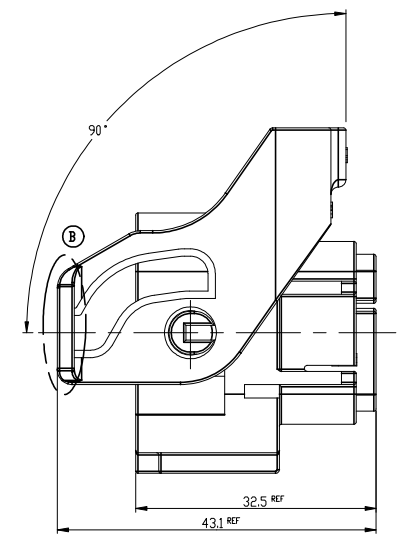
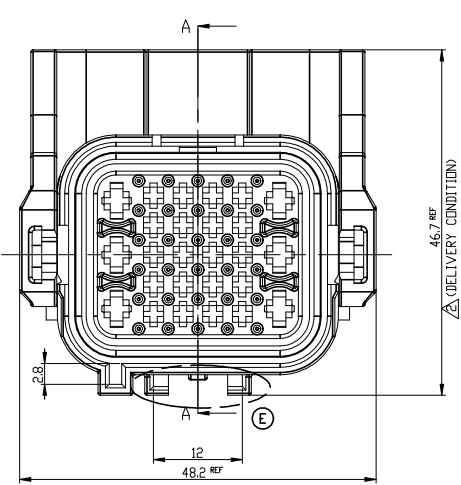


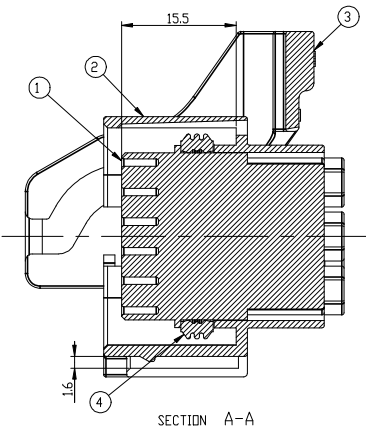
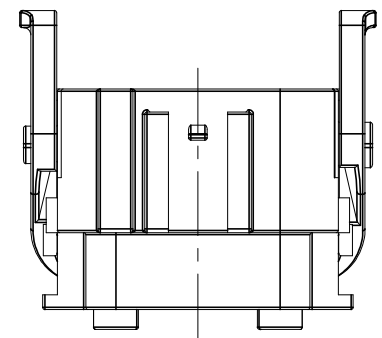
TABLE 1

TYPE	PART NO.	WIRE SIZE(mm ²)	Insulation DIA(mm)	Applicable WIRE(Reference)	FINISH
MTII	0-962875-1	0.2-0.5	1.2-1.6	AVSSXF 0.5 Max	CuSn4
	0-962875-3			CuSn4(GOLD)	
	0-962876-1	0.5-1.0	1.4-2.1	AVSSXF 0.85 Max	CuSn4
0-962876-3	CuSn4(GOLD)				
JPT	0-927770-3	0.5-1.0	1.4-2.1	FLK 1.0 Max	CuSn4
	2-927770-1			CuSn4(GOLD)	
	0-927766-3	1.0-2.5	2.2-3.0	AVSS 2.0 Max or FLR 2.5 Max	CuSn4
	2-927766-1			CuSn4(GOLD)	

TABLE 2

TYPE	PART NO.	WIRE INSULATION DIAMETER(mm)	COLOR
MTII	964971-1	1.2-1.6	RED
	963530-1	1.4-1.9	GRAY
	964972-1	1.9-2.1	YELLOW
JPT	963531-1	CAVITY PLUG	WHITE
	828904-2	1.2-2.1	BLUE
	828905-1	2.2-3.0	WHITE
	828922-1	CAVITY PLUG	NATURAL

- NOTE
- GENERAL TOLERANCE: ±0.3, ±3'
 - DELIVERY CONDITION
 - APPLIED CAP P/N:X-1897013-X
APPLIED WIRE COVER P/N:X-1897014-X
 - APPLICABLE RECEPTACLE CONTACT P/N:TABLE 1
 - APPLICABLE WIRE SEAL P/N:TABLE 2
 - CLIP INSERTION DIRECTION : TABLE 3



SECTION A-A

NO	DESCRIPTION	MATERIAL	COLOR	QTY
④	INNER SEAL	SILICONE	RED DRANGE	1 1
③	LEVER HSG	PBT-GF20	GRAY	1 1
②	MAIN PLUG HSG - TYPE B	PBT-GF15 (F)	GRAY	- 1
	MAIN PLUG HSG - TYPE A	PBT-GF15 (F)	BLACK	1 -
①	FRONT PLUG HSG	PA66-GF30 (F)	BLACK	1 1

THIS DRAWING IS A CONTROLLED DOCUMENT.

DIMENSIONS: mm	TOLERANCES UNLESS OTHERWISE SPECIFIED	APPROVED: J.K. SONG	NAME: PLUG ASSY FOR MTII JPT SLD 26P
0 PLC ±	1 PLC ±	APPLICABLE SPEC	SIZE: A1
2 PLC ±	3 PLC ±	WEIGHT	CAGE CODE: 00779
4 PLC ±	ANGLES ±	CUSTOMER DRAWING	DRAWING NO: C-1897009
SEE TABLE	FINISH	SCALE: 2:1	SHEET 1 OF 1