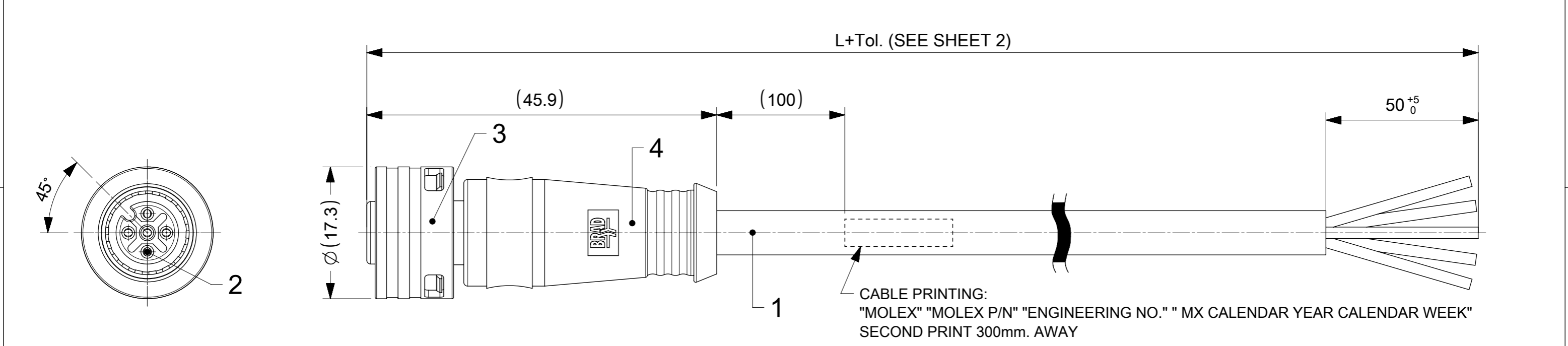
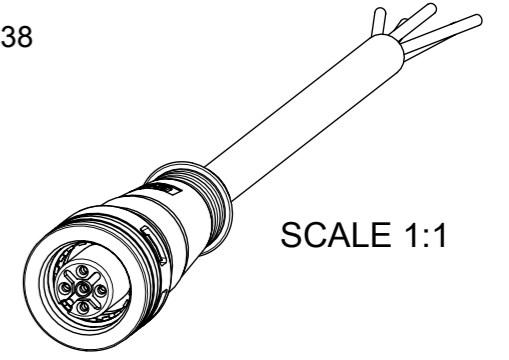


CODING ACCORDING TO IEC 61076-2-101



- NOTES:
- PARTS ACC. TO PRODUCT SPECIFICATION 1204000001 PS P10 AND IN STYLE OF IEC-61076-2-010
 - BOM & PART LIST - SEE SHEET 2
 - RATED VOLTAGE :
3, 4 CONTACTS: 250V AC OR DC
5 CONTACTS: 60V AC OR DC
RATED CURRENT:
3, 4, 5 CONTACTS: 4A, DERATING HAS TO BE CONSIDERED
OVERVOLTAGE CATEGORY: 3
POLLUTION DEGREE: 3, ONLY IN MATED AND LOCKED CONDITION
 - PROTECTION CLASS: IP 67, ONLY IN MATED AND LOCKED CONDITION
 - TEMPERATURE RANGE:
TEMPERATURE PLUG/SOCKET: -40 °C TO +85 °C
TEMPERATURE CABLE: SEE CABLE LIST
 - MECHANICAL OPERATIONS: 100 CYCLES
 - MATES WITH ULTRA-LOCK M12 MALE RECEPTACLES
 - PACKAGING: THE CORDSETS ARE SINGLE PACKED IN PLASTIC BAGS AND DELIVERED IN CARTON BOXES
 - UL CSA FILE REGISTRATION PENDING



DOCUMENT STATUS	P1	RELEASE DATE	2023/01/31	08:21:28
-----------------	----	--------------	------------	----------

FUNCTIONAL SYMBOLS	THIS DRAWING CONTAINS INFORMATION THAT IS PROPRIETARY TO MOLEX ELECTRONIC TECHNOLOGIES, LLC AND SHOULD NOT BE USED WITHOUT WRITTEN PERMISSION	CURRENT REV DESC: NOTES AND CABLE LIST UPDATED		molex	
	△/A = 0	DIMENSION UNITS: mm	SCALE: 2:1		
DIVISIONAL SYMBOLS	GENERAL TOLERANCES (UNLESS SPECIFIED)		EC NO: 736602		
	△/E = 0	ANGULAR TOL ± 1.0 °	4 PLACES ±	DRWN: RSCHIEBER	2023/01/23
	△/V = 0		3 PLACES ±	CHK'D: RSILLER	2023/01/31
			2 PLACES ± 0.05	APPR: RSILLER	2023/01/31
			1 PLACE ± 0.3	INITIAL REVISION:	
		0 PLACES ± 0.5	DRWN: RSCHIEBER	2020/09/15	
			APPR: RSILLER	2020/09/29	
DRAFT WHERE APPLICABLE MUST REMAIN WITHIN DIMENSIONS		THIRD ANGLE PROJECTION	DRAWING: A3-SIZE	SERIES: 120400	DOCUMENT NUMBER: 1204000025
					DOC TYPE: PSD
					DOC PART: 000
					REVISION: A3
					MATERIAL NUMBER: SEE SHEET 2
					CUSTOMER: GENERAL MARKET
					SHEET NUMBER: 1 OF 2

