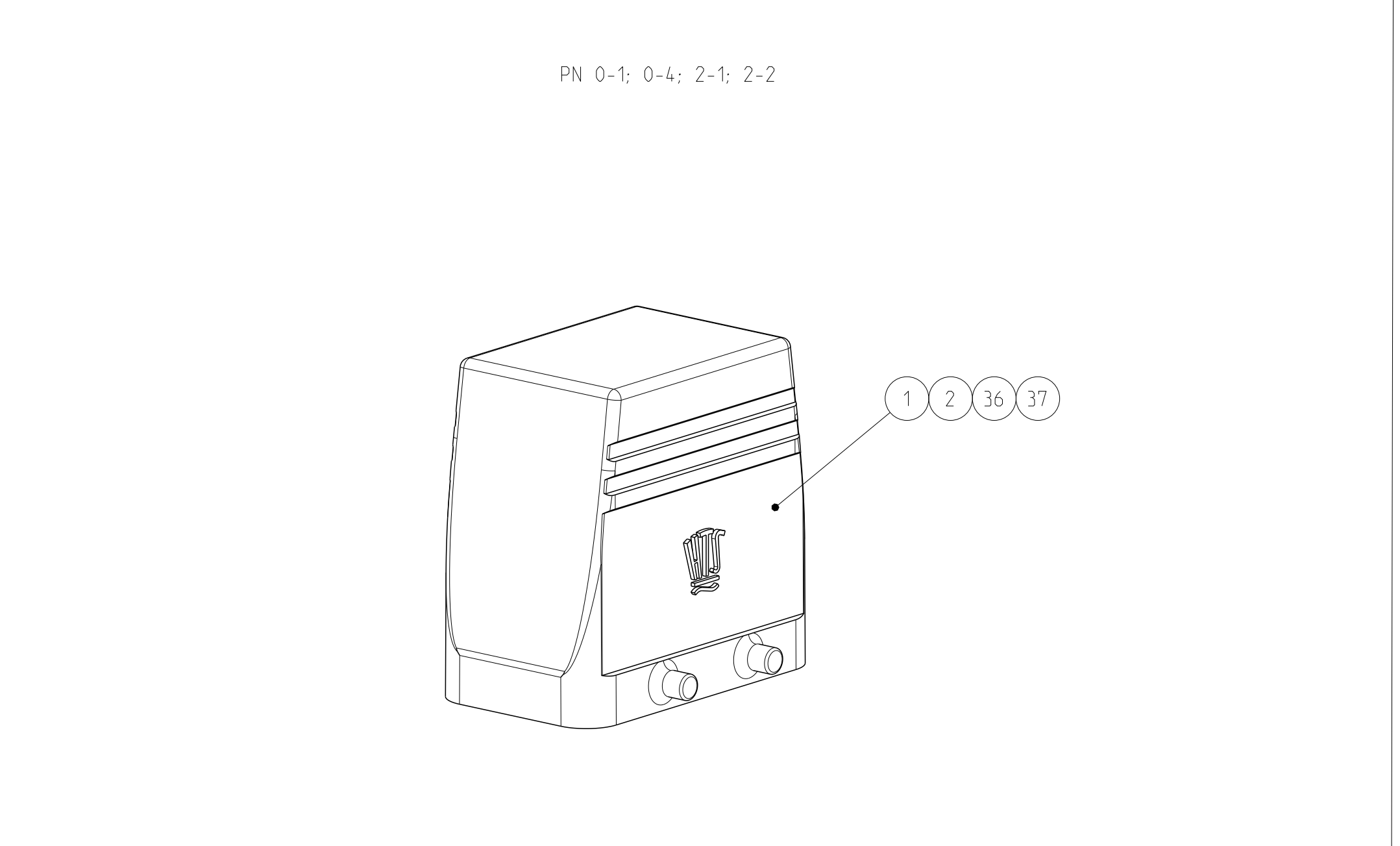
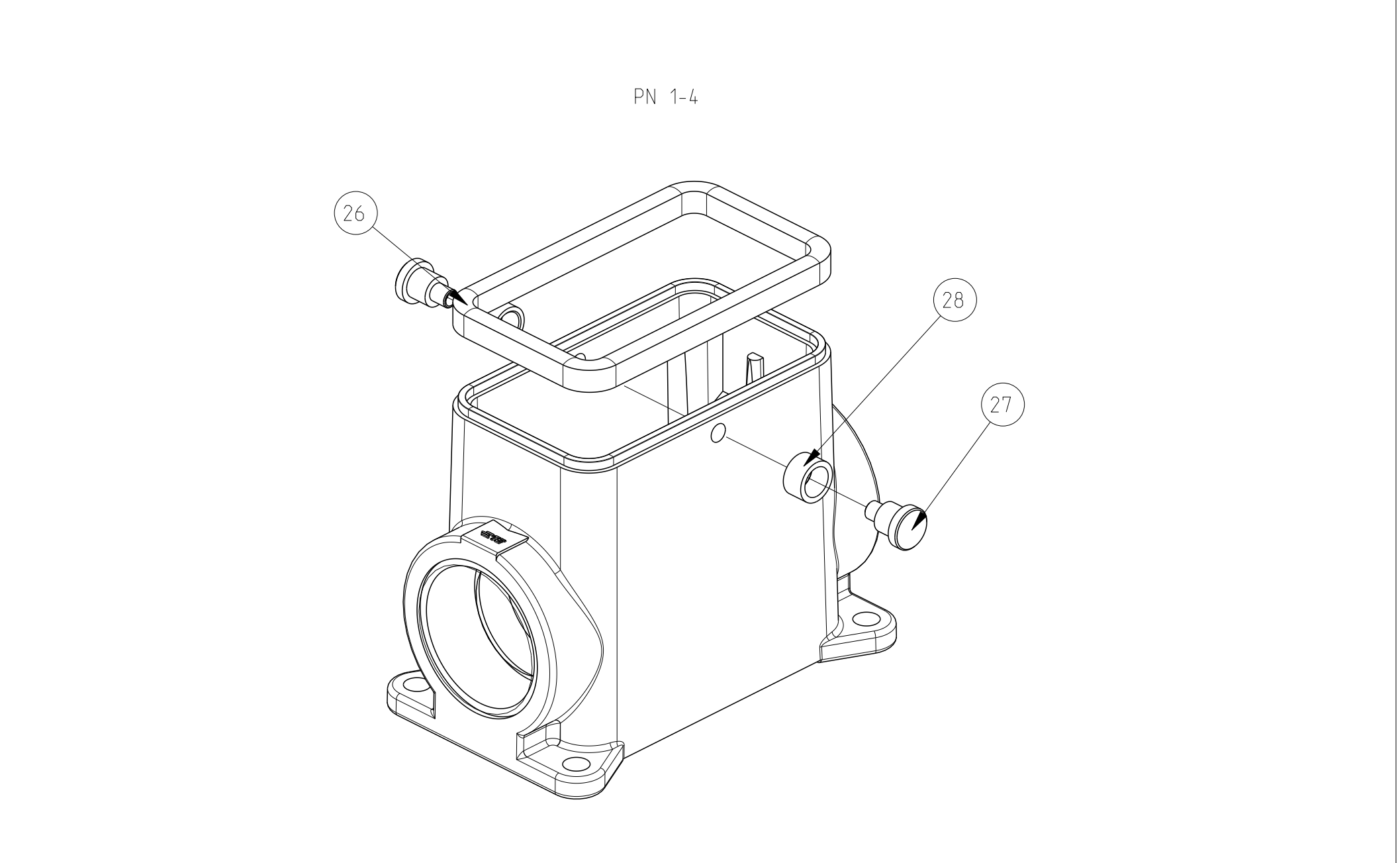
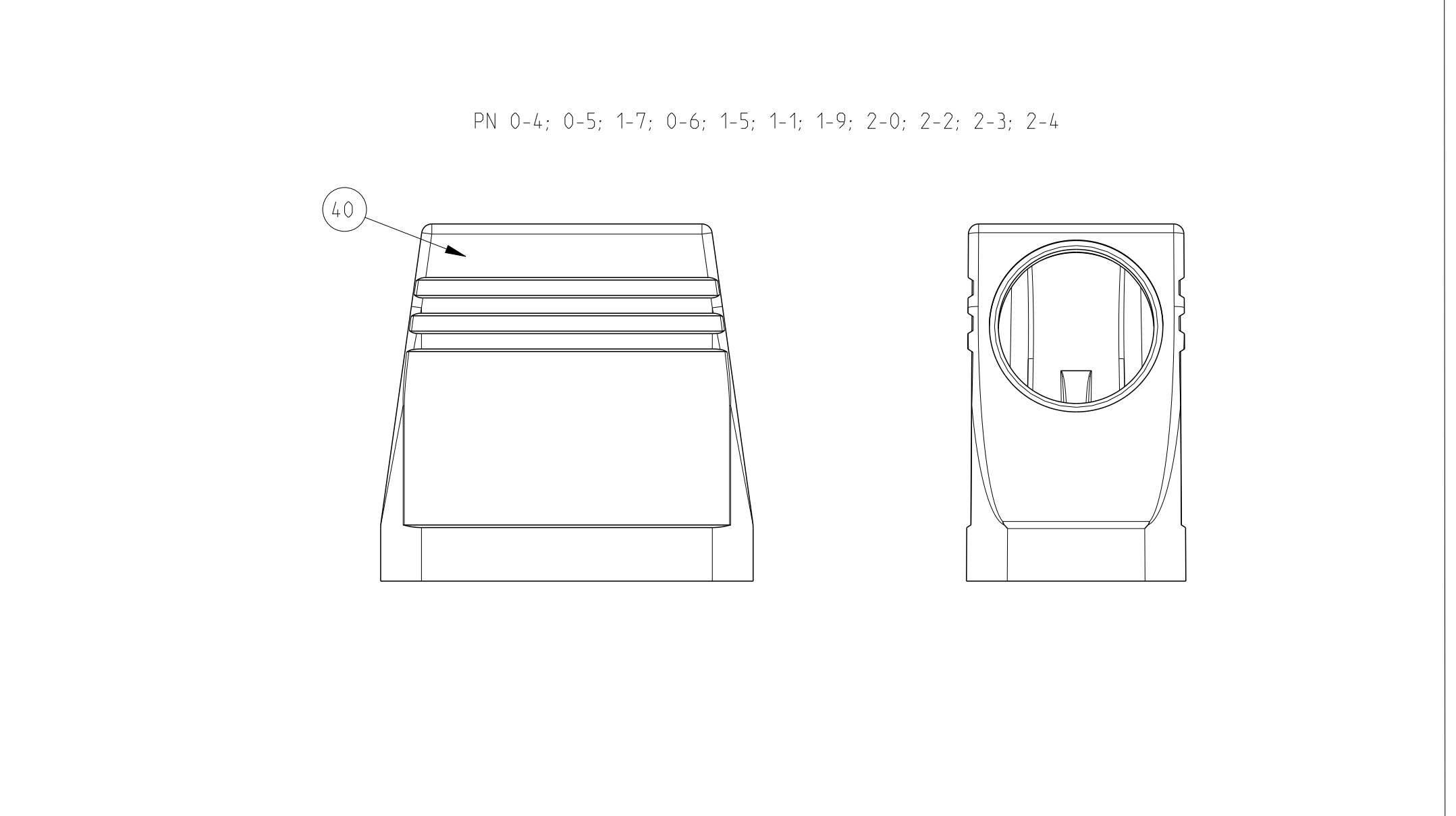
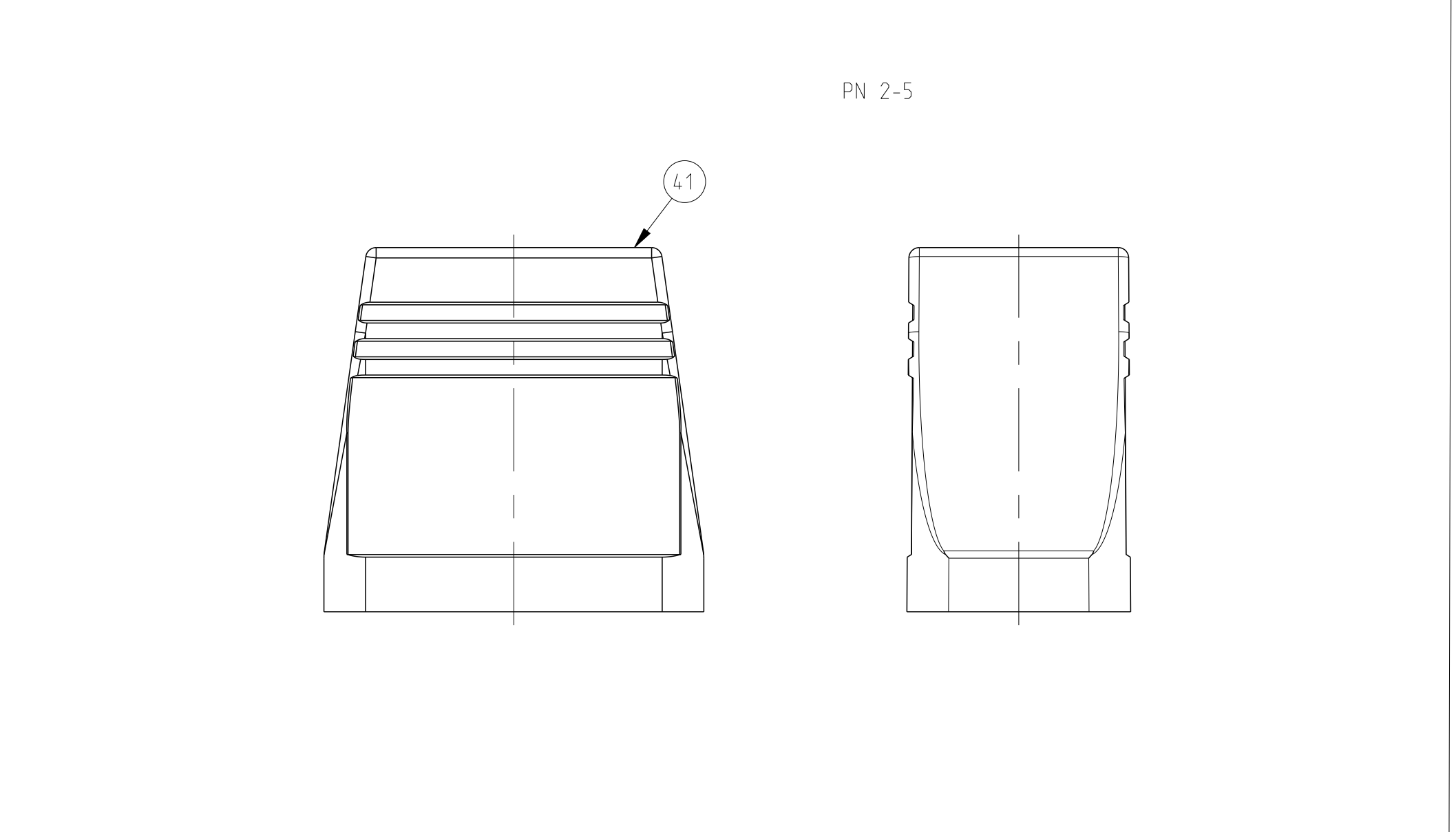


REV	DATE	DESCRIPTION	BY	CHK	APPD
A16	ECR-10-01573				
A17	ECR-15-000619				
A18	ECR-16-016696				
A19	ECR-17-014013				

NOTES:
 1 PACKAGING QUANTITY 5 PIECES
 2 SPECIAL PACKAGING QUANTITY 50 PIECES
 3 VARNISH ON THE INSIDE NOT NECESSARY



REV	DATE	DESCRIPTION	MATERIAL	SURFACE	COLOR	ITEM NO.	NOTES
1		HD/HOOD	ALUMINIUM/ALU			44	WITHOUT LOGO/DRILLING
1		HD/HOOD	ALUMINIUM/ALU	SurTec 650	BLANC	43	
1		HD/HOOD	ALUMINIUM/ALU	SurTec 650	BLANC	42	
1		HD/HOOD	ALUMINIUM/ALU		GREY RAL 7001	41	WITHOUT HTS LOGO
1		HD/HOOD	ALUMINIUM/ALU		GREY RAL 7001	40	WITHOUT HTS LOGO
1		HD/HOOD	ALUMINIUM/ALU		GREY RAL 7001	39	
1		CLIP BOLT	STELL	ZINC COATED	BLUE	38	M5
1		HD/HOOD	ALUMINIUM/ALU		GREY RAL 7001	37	WITHOUT HTS LOGO
1		HD/HOOD	ALUMINIUM/ALU		GREY RAL 7001	36	WITHOUT HTS LOGO
1		CENTRAL LOCKING CLIP POSITIONER	STELL	ZINC COATED	BLUE	35	
1		CENTRAL LOCKING CLIP	STELL	ZINC COATED	BLUE	34	
1		HD/HOOD	ALUMINIUM/ALU		GREY RAL 7001	33	
1		HD-EMV/HOOD	ALUMINIUM/ALU	SurTec 650	BLACK RAL 9005	32	
1		HD-K/HOOD	ALUMINIUM/ALU	ALUMINIUM OXIDE	BLACK RAL 9005	31	
1		HD/HOOD	ALUMINIUM/ALU		GREY RAL 7001	30	WITHOUT HTS LOGO
1		HD-K/HOOD	ALUMINIUM/ALU	ALUMINIUM OXIDE	BLACK RAL 9005	29	
1		SLIDE SPOOL	STELL	ZINC COATED	BLUE	28	
1		CLIP BOLT	STELL	ZINC COATED	BLUE	27	
1		PROFILE SEAL	NEOPRENE		BLACK	26	
1		HD/HOOD	ALUMINIUM/ALU		GREY RAL 7001	25	
1		SLIDE SPOOL	STELL	ZINC COATED	BLUE	24	
1		CLIP BOLT	V2A/STAIN.STEEL	BLANK		23	
1		CLIP BOLT	STELL	ZINC COATED	BLUE	22	
1		CLIP SPRING RIGHT	V2A/STAIN.STEEL	BLANK		21	
1		CLIP SPRING RIGHT	STELL	ZINC COATED	BLUE	20	
1		CLIP SPRING LEFT	V2A/STAIN.STEEL	BLANK		19	
1		CLIP SPRING LEFT	STELL	ZINC COATED	BLUE	18	
1		CLIP POSITIONER	V2A/STAIN.STEEL	BLANK		17	
1		CLIP POSITIONER	STELL	ZINC COATED	BLUE	16	
1		LOCKING CLIP	V2A/STAIN.STEEL	BLANK		15	
1		LOCKING CLIP	STELL	ZINC COATED	BLUE	14	
1		CLIP BOLT	V2A/STAIN.STEEL	BLANK		13	
1		HD-K/HOOD	ALUMINIUM/ALU	ALUMINIUM OXIDE	BLACK RAL 9005	12	
1		HD/HOOD	ALUMINIUM/ALU		GREY RAL 7001	11	
1		HD/HOOD	ALUMINIUM/ALU		GREY RAL 7001	10	
1		HD/HOOD	ALUMINIUM/ALU		GREY RAL 7001	9	
1		HD-K/HOOD	ALUMINIUM/ALU	ALUMINIUM OXIDE	BLACK RAL 9005	8	
1		HD/HOOD	ALUMINIUM/ALU		GREY RAL 7001	7	WITHOUT HTS LOGO
1		HD/HOOD	ALUMINIUM/ALU		GREY RAL 7001	6	WITHOUT HTS LOGO
1		HD/HOOD	ALUMINIUM/ALU		GREY RAL 7001	5	
1		HD/HOOD	ALUMINIUM/ALU		GREY RAL 7001	4	
1		HD-K/HOOD	ALUMINIUM/ALU	ALUMINIUM OXIDE	BLACK RAL 9005	3	
1		HD/HOOD	ALUMINIUM/ALU		GREY RAL 7001	2	
1		HD/HOOD	ALUMINIUM/ALU		GREY RAL 7001	1	

THIS DRAWING IS A CONTROLLED DOCUMENT. DATE: 18.06.2002. BY: Schneider. CHK: Schneider. APPD: Schneider.

STE TE Connectivity

HOOD HD 24

SCALE: 5:1

00779 1106434