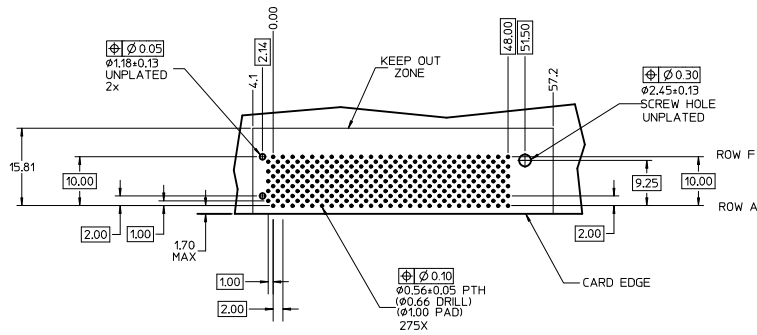
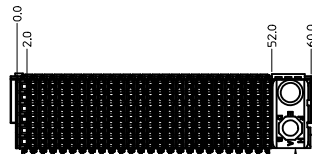
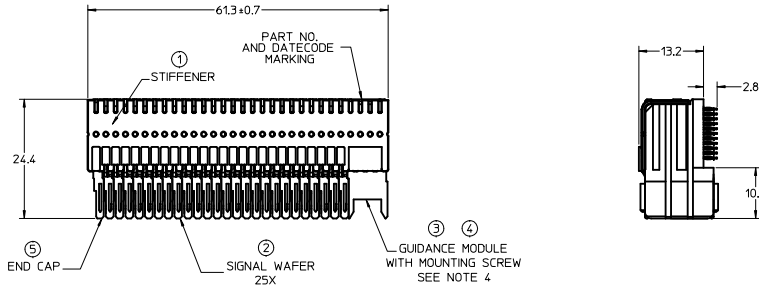


CUSTOMER: NORTEL NETWORKS



DAUGHTERCARD HOLE PATTERN  
(CONNECTOR SIDE)

NOTES: (UNLESS OTHERWISE SPECIFIED)

1. MATERIALS: HOUSING : LIQUID CRYSTAL POLYMER (LCP)  
GLASS-FILLED, UL94V-0, BLACK.  
TERMINALS: COPPER ALLOY  
STIFFENER: STAINLESS STEEL
2. FINISH: SELECTIVE GOLD (Au) 0.76 micrometer MINIMUM  
IN CONTACT AREA, SELECTIVE MATTE TIN (Sn) IN TAIL AREA,  
NICKEL (Ni) UNDERPLATE OVERALL.
3. REFER TO MOLEX PRODUCT SPECIFICATION PS-74031-999  
FOR PERFORMANCE SPECIFICATIONS.
4. PACKAGED PER PK-70873-5040  
SCREWS PACKED IN BAGS INSIDE OF TUBES.
5. REFER TO MOLEX DOCUMENT SD-74031-002 FOR ADDITIONAL  
DETAIL ON THE SIGNAL WAFER.
6. REFER TO MOLEX DOCUMENT SD-74037-005 FOR ADDITIONAL  
DETAIL ON THE GUIDANCE MODULE.
7. REFER TO MOLEX DOCUMENT SD-74038-003 FOR ADDITIONAL  
DETAIL ON THE END CAP.
8. MARK LABEL WITH PART NUMBER AND DATE CODE.  
LABEL MAY BE REPLACED BY LASER MARKINGS ON THE STIFFENER.
9. THIS PART CONFORMS TO CLASS B REQUIREMENTS OF MOLEX  
COSMETIC SPECIFICATION PS-45499-002.

LEAD-FREE  
PLATING

ITEM	PART NUMBER	DESCRIPTION	QTY
1	74036-0061	STIFFENER	1
2	74031-1051	SIGNAL WAFER, 50 GOLD, LF	25
3	74037-0006	POLARIZING/GUIDE MODULE	1
4	73726-0000	GUIDE MODULE MNTG SCREW	1
5	74038-0002	END CAP WITH PEGS	1

CHG TO LEAD-FREE	EC NO: LCP2012-1775	DRAWN BY	DATE	TITLE	SCALE	DESIGN UNITS	THIRD ANGLE PROJECTION
DRWNGES	2011/11/15	JJONIAK	03/07/03	6 ROW VHDM, LF DAUGHTERCARD SALES DRAWING	2:1	METRIC	
CHKD	2011/11/15	JLAURX	03/07/03				
APPR	2011/12/19	SMILLER	2011/12/19				
REV	DESCRIPTION	APPROVED BY DATE		MATERIAL NO.		DOCUMENT NO.	
1		SMILLER 2011/12/19		74030-0815		SD-74030-815	
DRAFT WHERE APPLICABLE MUST REMAIN WITHIN DIMENSIONS				SIZE D		SHEET NO. 1 OF 1	