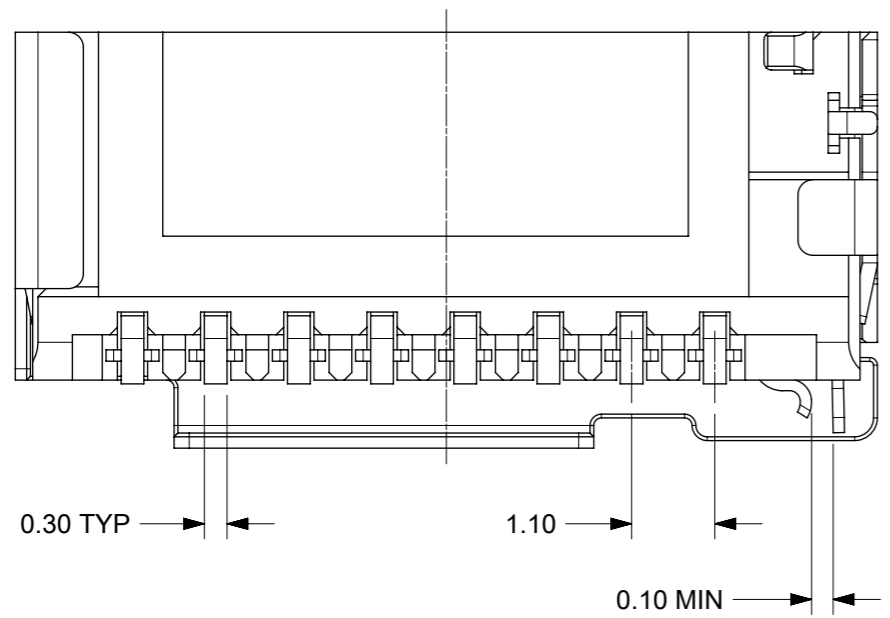
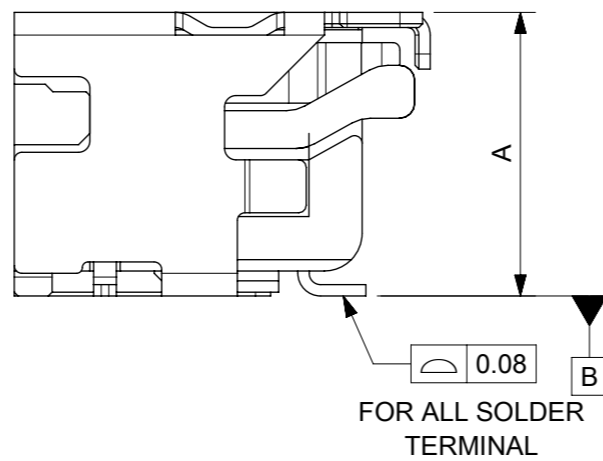
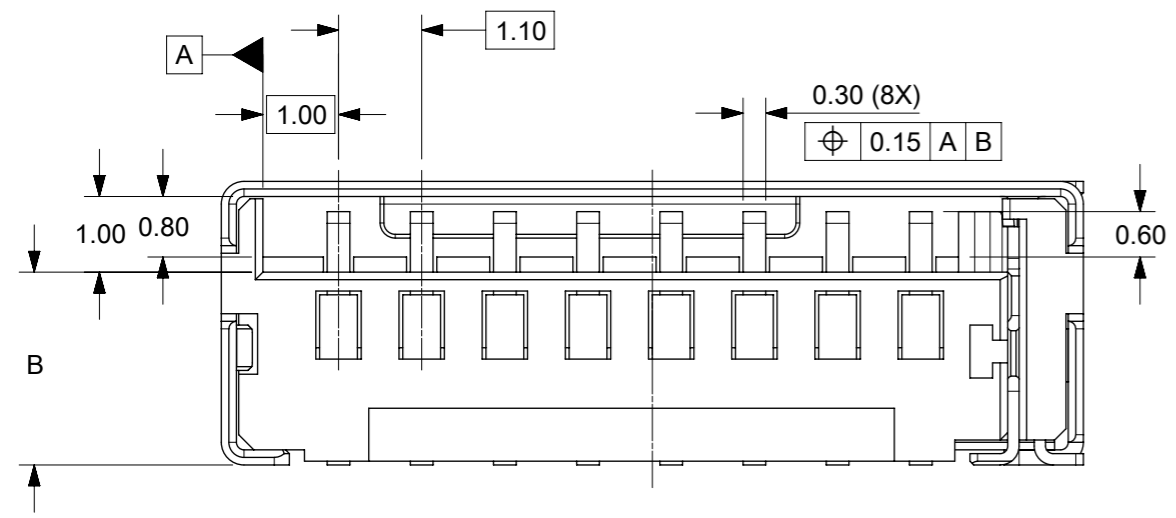


NOTES:

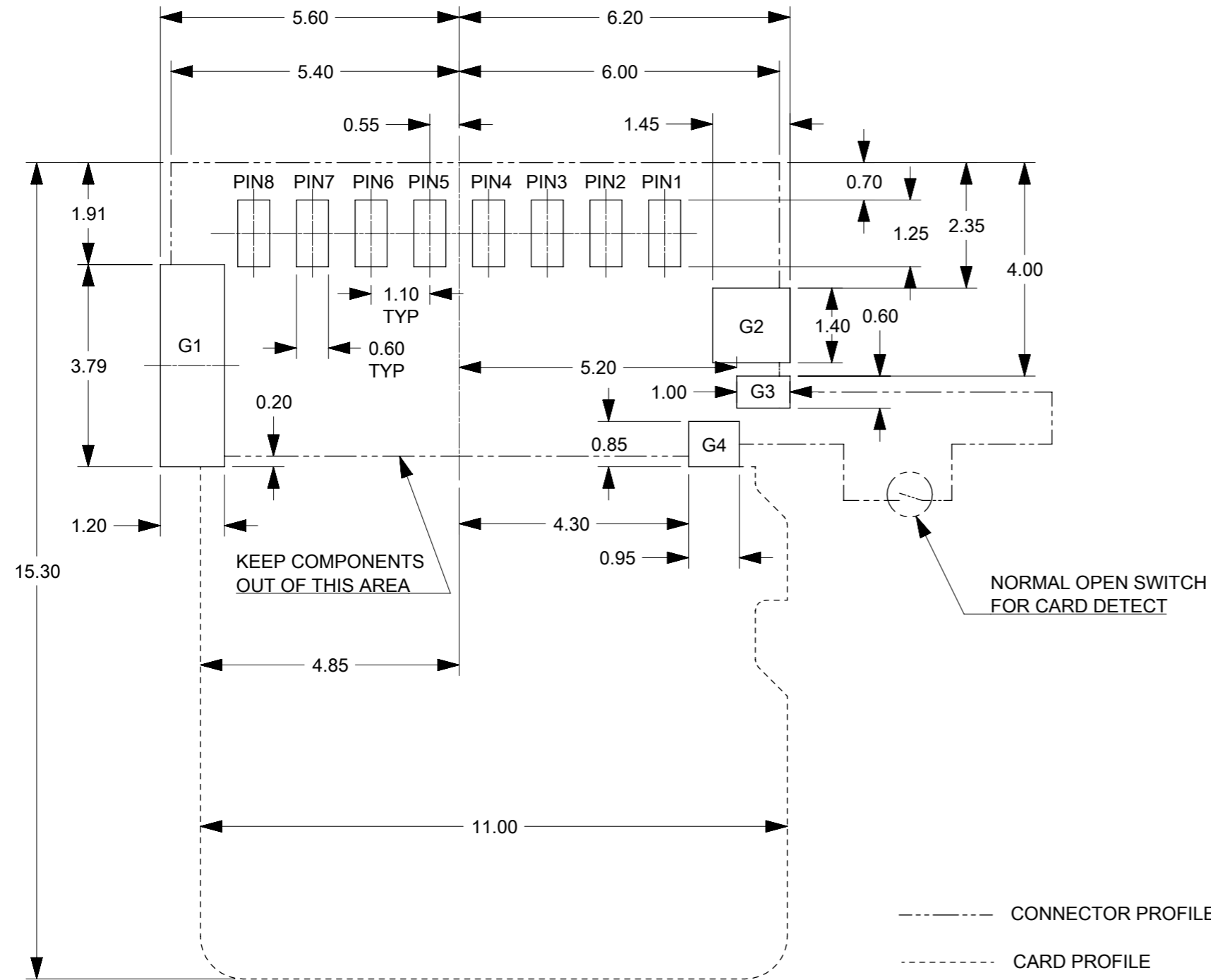
- MATERIAL:
 - 1-1 HOUSING: LCP, 30% G/F, UL 94V-0, BLACK
 - 1-2 SIGNAL TERMINAL AND DETECT TERMINAL: PHOSPHOR BRONZE
 - 1-3 METAL SHELL: STAINLESS STEEL
- FINISH:
 - 2-1 SIGNAL TERMINAL: 1.25 MICRON NICKEL MIN UNDER-PLATED, CONTACT AREA SEE TABLE, GOLD FLASH ON SOLDER AREA.
 - 2-2 METAL SHELL: GOLD FLASH PLATED OVER NICKEL ON SOLDER AREA.
 - 2-3 DETECT PIN: 1.25 MICRON NICKEL MIN UNDER-PLATED, GOLD FLASH ON CONTACT AREA, TIN PLATED ON SOLDER AREA.
- PRODUCT SPECIFICATION: PS-47309-001.
- PACKAGE SPECIFICATION: SEE TABLE.
- THE FIRST "*" MEANS THE MANUFACTURE YEAR, THE FOLLOW "****" MEANS THE MANUFACTUR DAY. FOR EXAMPLE "2006/01/02" SHOULD BE "6002".
- THE FIRST "*****" SHOW THE LAST FOUR NUMBER OF P/N, THE FIFTH "*" IS SHIFT IDENTIFY CODE "A, B, C", THE LAST "N" MEANS THE CUSTOMER VERSION.
- PRODUCT COMPLIANT TO RoHS DIRECTIVE 2002/95/EC AND ELV 2000/53/EC.



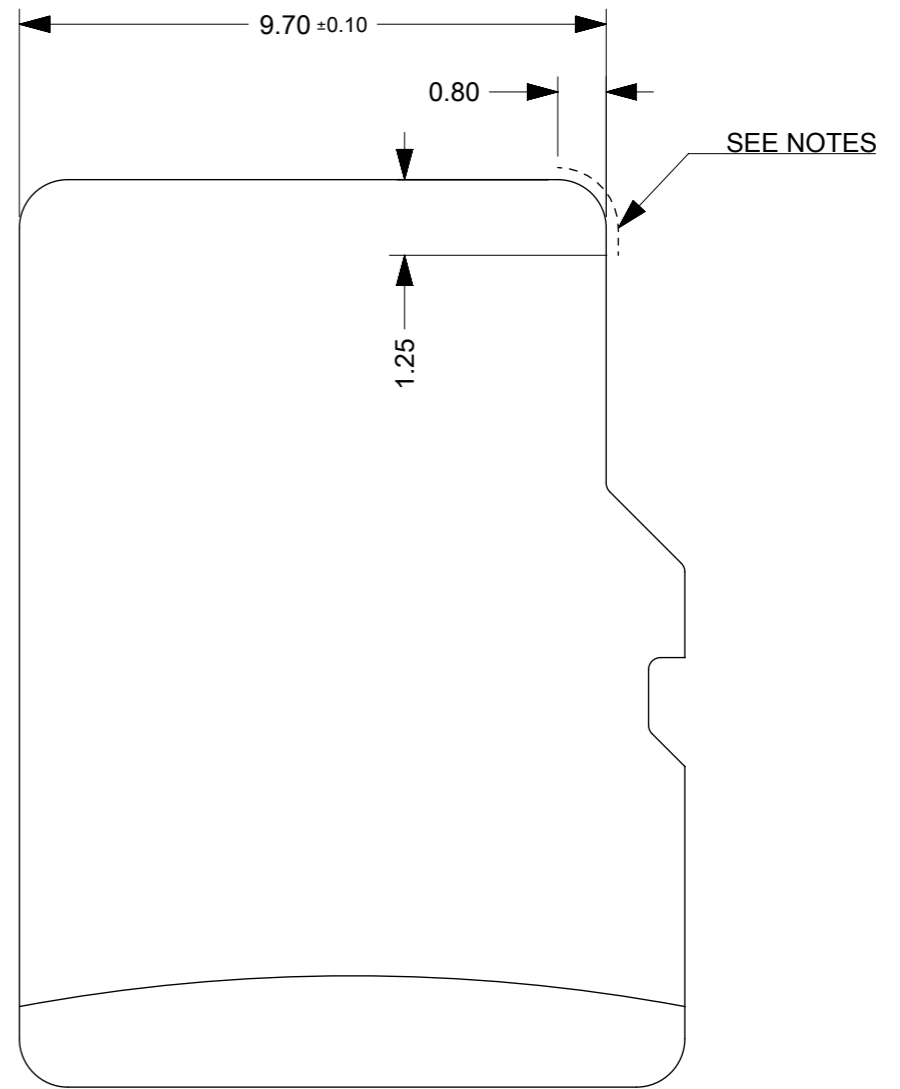
47309-8375	3.75	2.55	0.1 MICRON MIN. GOLD	PK-47309-375
47309-8355	3.55	2.35	0.1 MICRON MIN. GOLD	PK-47309-335
47309-8335	3.35	2.15	0.1 MICRON MIN. GOLD	
47309-2285	2.85	1.65	0.76 MICRON MIN. GOLD	PK-47309-266
47309-8265			0.1 MICRON MIN. GOLD	
47309-8265	2.65	1.45	0.1 MICRON MIN. GOLD	
PART NUMBER	DIM A	DIM B	CONTACT AREA PLATING	PACKAGE SPECIFICATION

THIS DRAWING CONTAINS INFORMATION THAT IS PROPRIETARY TO MOLEX ELECTRONIC TECHNOLOGIES, LLC AND SHOULD NOT BE USED WITHOUT WRITTEN PERMISSION

DIMENSION UNITS	SCALE	CURRENT REV DESC:		
mm	10:1	<p>molex</p> <p>MICRO SD HEADER W/DETECT PIN SALES DRAWING</p> <p>PRODUCT CUSTOMER DRAWING</p>		
GENERAL TOLERANCES (UNLESS SPECIFIED)				
ANGULAR TOL	± 1.0 °			
4 PLACES	±			
3 PLACES	±			
2 PLACES	± 0.15			
1 PLACE	± 0.25	EC NO: 746823	2023/04/21	
0 PLACES	±	DRWN: JANEQ	2023/05/12	
		CHK'D: FCHEN11	2023/05/12	
		APPR: FCHEN11	2023/05/12	
		INITIAL REVISION:		
		DRWN: WFDENG	2009/12/08	
		APPR: XJSONG	2011/03/24	
DRAFT WHERE APPLICABLE MUST REMAIN WITHIN DIMENSIONS		THIRD ANGLE PROJECTION	DRAWING	SERIES
			A3-SIZE	47309
		MATERIAL NUMBER	CUSTOMER	SHEET NUMBER
		SEE TABLE	GENERAL MARKET	1 OF 2



G4	DET
G3	POL
G2	GND
G1	GND
P8	DAT1
P7	DAT0
P6	VSS
P5	CLK
P4	VDD
P3	CMD
P2	CD/DAT3
P1	DAT2
NAME	TYPE
PIN ASSIGNMENT	



NOTES:
NO CONDUCTIVE EXPOSURE TRACE IS ALLOWED ON THE SIDE FACE OF THE CARD AT THIS AREA.

----- CONNECTOR PROFILE
----- CARD PROFILE

THIS DRAWING CONTAINS INFORMATION THAT IS PROPRIETARY TO MOLEX ELECTRONIC TECHNOLOGIES, LLC AND SHOULD NOT BE USED WITHOUT WRITTEN PERMISSION													
DIMENSION UNITS		SCALE		CURRENT REV DESC:				molex		MICRO SD HEADER W/DETECT PIN SALES DRAWING			
mm		1:1											
GENERAL TOLERANCES (UNLESS SPECIFIED)													
ANGULAR TOL		± 1.0 °											
4 PLACES		±											
3 PLACES		±											
2 PLACES		± 0.15											
1 PLACE		± 0.25											
0 PLACES		±											
DRAFT WHERE APPLICABLE MUST REMAIN WITHIN DIMENSIONS		THIRD ANGLE PROJECTION		DRAWING		SERIES		MATERIAL NUMBER		CUSTOMER		SHEET NUMBER	
		A3-SIZE		47309		2009/12/08 2011/03/24		SD-47309-201		PSD 001		F	
								SEE TABLE		GENERAL MARKET		2 OF 2	