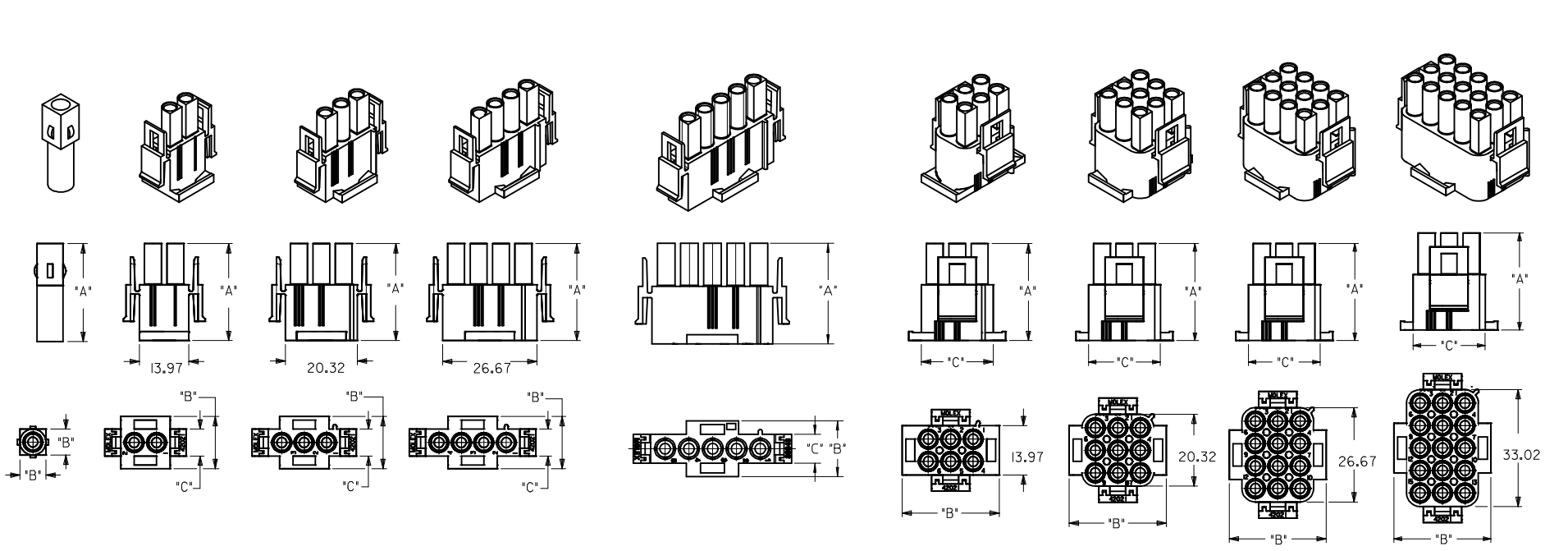


13 12 11 10 9 8 7 6 5 4 3 2 1




REVIEWS UPDATED EC NO: 12018-0003 DRWNGES: 2017/08/30 CHKD:SNAGARAVENKA2017/08/30 APPR:KPRASAD_2017/09/07	DESCRIPTION B	QUALITY SYMBOLS ∇=0 ∇=0 ∇=0	GENERAL TOLERANCES (UNLESS SPECIFIED) mm INCH		DIMENSION STYLE MM ONLY	SCALE 1:1	DESIGN UNITS METRIC	THIRD ANGLE PROJECTION	
		4 PLACES ± --- ± --- 3 PLACES ± --- ± --- 2 PLACES ± 0.25 ± --- 1 PLACE ± 0.36 ± --- 0 PLACE ± --- ± ---	DRAWN BY: MRAMAKRI SHNA DATE: 2013/01/30 CHECKED BY: _____ DATE: _____	TITLE HOUSING, PLUG 2.13 DIA. SERIES		APPROVED BY: KPRASAD DATE: 2013/03/11	MATERIAL NO. SEE SHEET 2	DOCUMENT NO. SD-36643-009	SHEET NO. 1 OF 2
		ANGULAR ± --- ° DRAFT WHERE APPLICABLE MUST REMAIN WITHIN DIMENSIONS			THIS DRAWING CONTAINS INFORMATION THAT IS PROPRIETARY TO MOLEX INCORPORATED AND SHOULD NOT BE USED WITHOUT WRITTEN PERMISSION				
		mox							

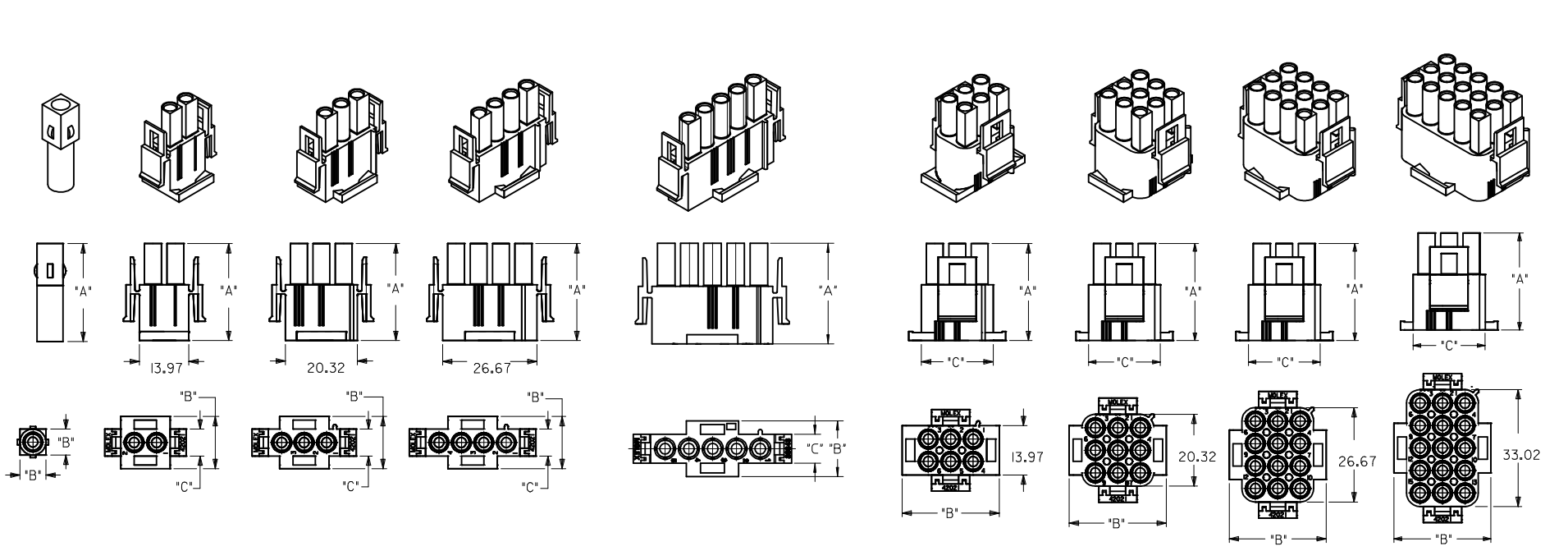
PART NO.	CIRCUIT SIZE	MATERIAL (SEE NOTE 1)	DIM. "A"	DIM. "B"	DIM. "C"
366430001	1	E	27.69	7.37	----
366430002	2	E	27.61	14.73	7.62
366430003	3	E	27.61	14.73	7.62
366430004	4	E	27.61	14.73	7.62
366430010	5	E	27.61	14.73	7.62
366430005	6	E	27.61	27.43	20.32
366430006	9	E	27.61	27.43	20.32
366430007	12	E	27.61	27.43	20.32
366430008	15	E	27.61	27.43	20.32

NOTES:

- MATERIAL CODE
"E"= NYLON 94V-2
COLOUR : NATURAL
GLOW WIRE COMPATIBLE WITH CTI OF 325 VOLTS, ACCORDING TO IEC 60335-4TH EDITION
- UNLESS OTHERWISE INDICATED, DIMENSIONS ARE FOR REFERENCE ONLY
- PLUG HOUSINGS MATE WITH:
 - CAP HOUSINGS, 2.13 DIA.SERIES 36644(SD-36644-009)
 - HEADER ASSEMBLY, 2.13 DIA. SERIES 36757(SD-36757-0002)
- HOUSING DESIGNED TO BE USED WITH TERMINALS:
 - PINS, 2.13 DIA. SERIES 42023
 - SOCKETS, 2.13 DIA. SERIES 42024
- CONTACTS ARE ON 6.35 GRID CENTERLINE SPACING
- PRODUCT SPECIFICATION PS-42022-0001 APPLIES

SEE SHEET 1 IEC NO: I2018-0003 DRWNGS: 2017/08/30 CHKD: SAGARAVENKA/2017/08/30 APPR: KPRASAD /2017/09/07	DESCRIPTION REV	QUALITY SYMBOLS	GENERAL TOLERANCES (UNLESS SPECIFIED)	DIMENSION STYLE MM ONLY	SCALE 1:1	DESIGN UNITS METRIC	THIRD ANGLE PROJECTION																										
		$\nabla=0$ $\nabla=0$ $\nabla=0$	<table border="1"> <thead> <tr> <th></th> <th>mm</th> <th>INCH</th> </tr> </thead> <tbody> <tr> <td>4 PLACES</td> <td>± ---</td> <td>± ---</td> </tr> <tr> <td>3 PLACES</td> <td>± ---</td> <td>± ---</td> </tr> <tr> <td>2 PLACES</td> <td>± 0.25</td> <td>± ---</td> </tr> <tr> <td>1 PLACE</td> <td>± 0.36</td> <td>± ---</td> </tr> <tr> <td>0 PLACE</td> <td>± ---</td> <td>± ---</td> </tr> </tbody> </table>		mm	INCH	4 PLACES	± ---	± ---	3 PLACES	± ---	± ---	2 PLACES	± 0.25	± ---	1 PLACE	± 0.36	± ---	0 PLACE	± ---	± ---	<table border="1"> <thead> <tr> <th>DRAWN BY</th> <th>DATE</th> <th>TITLE</th> </tr> </thead> <tbody> <tr> <td>MRAMAKRISHNA</td> <td>2013/01/30</td> <td rowspan="2">HOUSING, PLUG 2.13 DIA. SERIES</td> </tr> <tr> <td>CHECKED BY</td> <td>DATE</td> </tr> </tbody> </table>	DRAWN BY	DATE	TITLE	MRAMAKRISHNA	2013/01/30	HOUSING, PLUG 2.13 DIA. SERIES	CHECKED BY	DATE			
			mm	INCH																													
		4 PLACES	± ---	± ---																													
3 PLACES	± ---	± ---																															
2 PLACES	± 0.25	± ---																															
1 PLACE	± 0.36	± ---																															
0 PLACE	± ---	± ---																															
DRAWN BY	DATE	TITLE																															
MRAMAKRISHNA	2013/01/30	HOUSING, PLUG 2.13 DIA. SERIES																															
CHECKED BY	DATE																																
<table border="1"> <thead> <tr> <th>APPROVED BY</th> <th>DATE</th> </tr> </thead> <tbody> <tr> <td>KPRASAD</td> <td>2013/03/11</td> </tr> </tbody> </table>	APPROVED BY	DATE	KPRASAD	2013/03/11	<table border="1"> <thead> <tr> <th>MATERIAL NO.</th> <th>DOCUMENT NO.</th> <th>SHEET NO.</th> </tr> </thead> <tbody> <tr> <td>SEE TABLE</td> <td>SD-36643-009</td> <td>2 OF 2</td> </tr> </tbody> </table>	MATERIAL NO.	DOCUMENT NO.	SHEET NO.	SEE TABLE	SD-36643-009	2 OF 2																						
APPROVED BY	DATE																																
KPRASAD	2013/03/11																																
MATERIAL NO.	DOCUMENT NO.	SHEET NO.																															
SEE TABLE	SD-36643-009	2 OF 2																															
DRAFT WHERE APPLICABLE MUST REMAIN WITHIN DIMENSIONS		SIZE A2	THIS DRAWING CONTAINS INFORMATION THAT IS PROPRIETARY TO MOLEX INCORPORATED AND SHOULD NOT BE USED WITHOUT WRITTEN PERMISSION																														

13 12 11 10 9 8 7 6 5 4 3 2 1



REVIEWS UPDATED EC NO: 12018-0003 DRWNGES: 2017/08/30 CHKD: SAGARAVENKA 2017/08/30 APPR: KPRASAD 2017/09/07	DESCRIPTION B	QUALITY SYMBOLS $\nabla=0$ $\nabla=0$ $\nabla=0$	GENERAL TOLERANCES (UNLESS SPECIFIED)		DIMENSION STYLE MM ONLY	SCALE 1:1	DESIGN UNITS METRIC	<input checked="" type="checkbox"/> THIRD ANGLE PROJECTION		
		4 PLACES ± --- ± --- 3 PLACES ± --- ± --- 2 PLACES ± 0.25 ± --- 1 PLACE ± 0.36 ± --- 0 PLACE ± --- ± ---	mm INCH	DRAWN BY: MRAMAKRI SHNA DATE: 2013/01/30	TITLE HOUSING, PLUG 2.13 DIA. SERIES		APPROVED BY: KPRASAD DATE: 2013/03/11	MATERIAL NO. SEE SHEET 2	DOCUMENT NO. SD-36643-009	SHEET NO. 1 OF 2
		ANGULAR ± --- °		DRAFT WHERE APPLICABLE MUST REMAIN WITHIN DIMENSIONS		THIS DRAWING CONTAINS INFORMATION THAT IS PROPRIETARY TO MOLEX INCORPORATED AND SHOULD NOT BE USED WITHOUT WRITTEN PERMISSION				

PART NO.	CIRCUIT SIZE	MATERIAL (SEE NOTE 1)	DIM. "A"	DIM. "B"	DIM. "C"
366430001	1	E	27.69	7.37	----
366430002	2	E	27.61	14.73	7.62
366430003	3	E	27.61	14.73	7.62
366430004	4	E	27.61	14.73	7.62
366430010	5	E	27.61	14.73	7.62
366430005	6	E	27.61	27.43	20.32
366430006	9	E	27.61	27.43	20.32
366430007	12	E	27.61	27.43	20.32
366430008	15	E	27.61	27.43	20.32

NOTES:

- MATERIAL CODE
"E"= NYLON 94V-2
COLOUR : NATURAL
GLOW WIRE COMPATIBLE WITH CTI OF 325 VOLTS, ACCORDING TO IEC 60335-4TH EDITION
- UNLESS OTHERWISE INDICATED, DIMENSIONS ARE FOR REFERENCE ONLY
- PLUG HOUSINGS MATE WITH:
 - CAP HOUSINGS, 2.13 DIA.SERIES 36644(SD-36644-009)
 - HEADER ASSEMBLY, 2.13 DIA. SERIES 36757(SD-36757-0002)
- HOUSING DESIGNED TO BE USED WITH TERMINALS:
 - PINS, 2.13 DIA. SERIES 42023
 - SOCKETS, 2.13 DIA. SERIES 42024
- CONTACTS ARE ON 6.35 GRID CENTERLINE SPACING
- PRODUCT SPECIFICATION PS-42022-0001 APPLIES

SEE SHEET 1 IEC NO: I2018-0003 DRAWN BY: DRW:IGES 2017/08/30 CHKD:SNAGARAVENKA2017/08/30 APPR:KPRASAD 2017/09/07	QUALITY SYMBOLS	GENERAL TOLERANCES (UNLESS SPECIFIED)	DIMENSION STYLE MM ONLY	SCALE 1:1	DESIGN UNITS METRIC	THIRD ANGLE PROJECTION
	▽=0	4 PLACES ± --- ± ---	mm INCH	DRAWN BY DATE	TITLE	
	▽=0	3 PLACES ± --- ± ---		MRAMAKRISHNA 2013/01/30	HOUSING, PLUG 2.13 DIA. SERIES	
	▽=0	2 PLACES ± 0.25 ± ---		CHECKED BY DATE		
		1 PLACE ± 0.36 ± ---		APPROVED BY DATE		
		0 PLACE ± --- ± ---		KPRASAD 2013/03/11		
		ANGULAR ± ---°		MATERIAL NO.	DOCUMENT NO.	SHEET NO.
		DRAFT WHERE APPLICABLE MUST REMAIN WITHIN DIMENSIONS		SEE TABLE	SD-36643-009	2 OF 2
			SIZE A2	THIS DRAWING CONTAINS INFORMATION THAT IS PROPRIETARY TO MOLEX INCORPORATED AND SHOULD NOT BE USED WITHOUT WRITTEN PERMISSION		