

XLM-12.1-M5

Industrial LCD Monitors (Touch Optional)

Since 1994 EarthLCD has supplied LCD monitor solutions for industrial machines, CRT replacement, point-of-sale and medical equipment. Available interfaces include NTSC, HDMI and VGA. Touchscreens are available in resistive and capacitive touch interfaces. By using our open frame, our LCD expertise has been honed to help customers meet their specific needs.

Earth Computer Technologies, Inc is a maker of industrial LCDs and embedded products including the award-winning ezLCD technology from EarthLCD, the recognized leader in smart touch LCDs.



12.1" Industrial LCD Monitor

Commercial and industrial applications include: ATM machines, industrial equipment, instrumentation, kiosks, military, medical, arcade games, marine, security, test equipment, gaming, or any application requiring a color LCD display.

Features:

- 12.1" XGA LCD panel with LED backlight
- HDMI, VGA and NTSC/PAL video inputs
- Commercial and industrial applications
- -30°C ~ +80°C operating temperature range
- High contrast ratio: 700:1 typical
- 500 cd/m2 Brightness typical
- 20,000 hours LED life typical
- OSD Controls: contrast, phase, clock, color, H&V position, auto-tune, recall
- VESA and multiple mounting hole options
- Base stand with tilt included
- +12v power supply included

Options (sold separately):

- USB four wire resistive touchscreen
- HDMI or VGA Cable

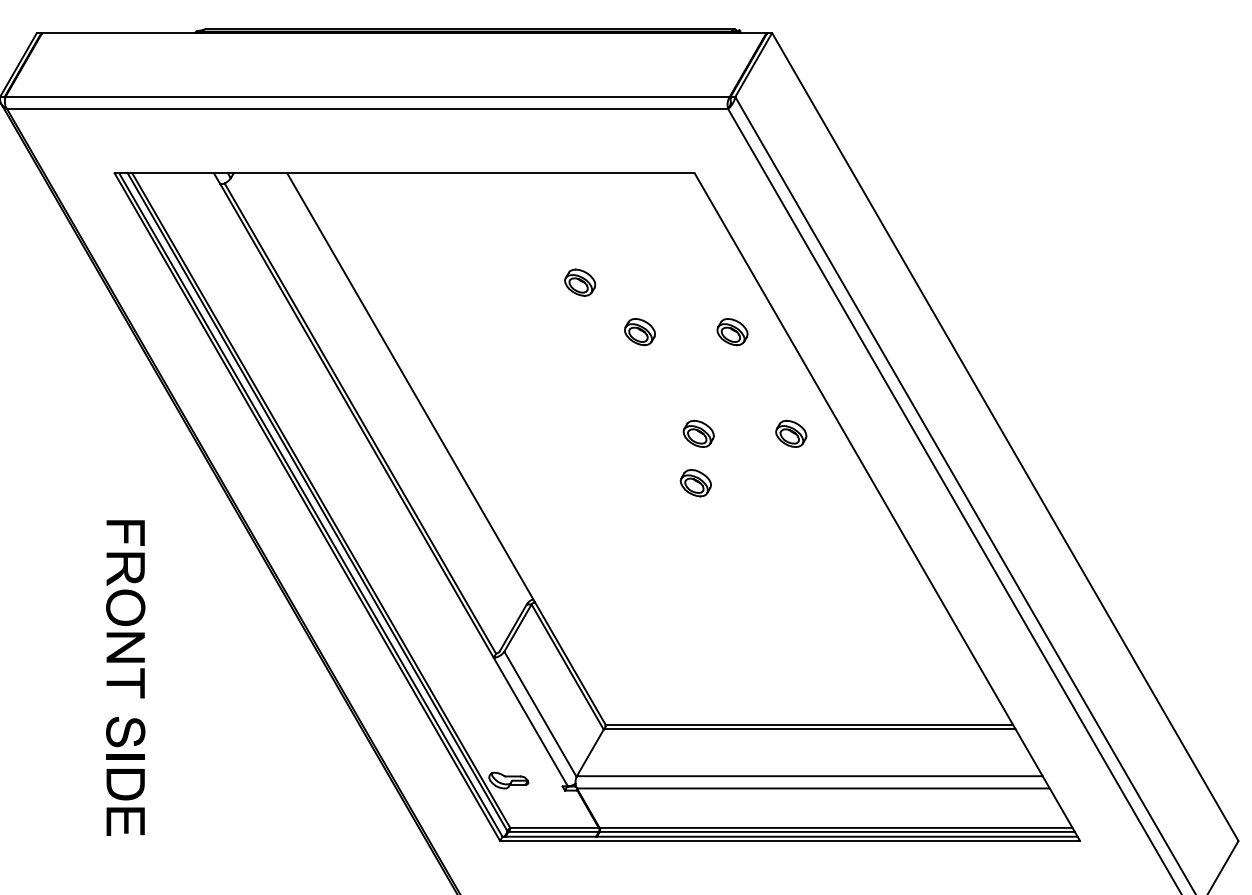
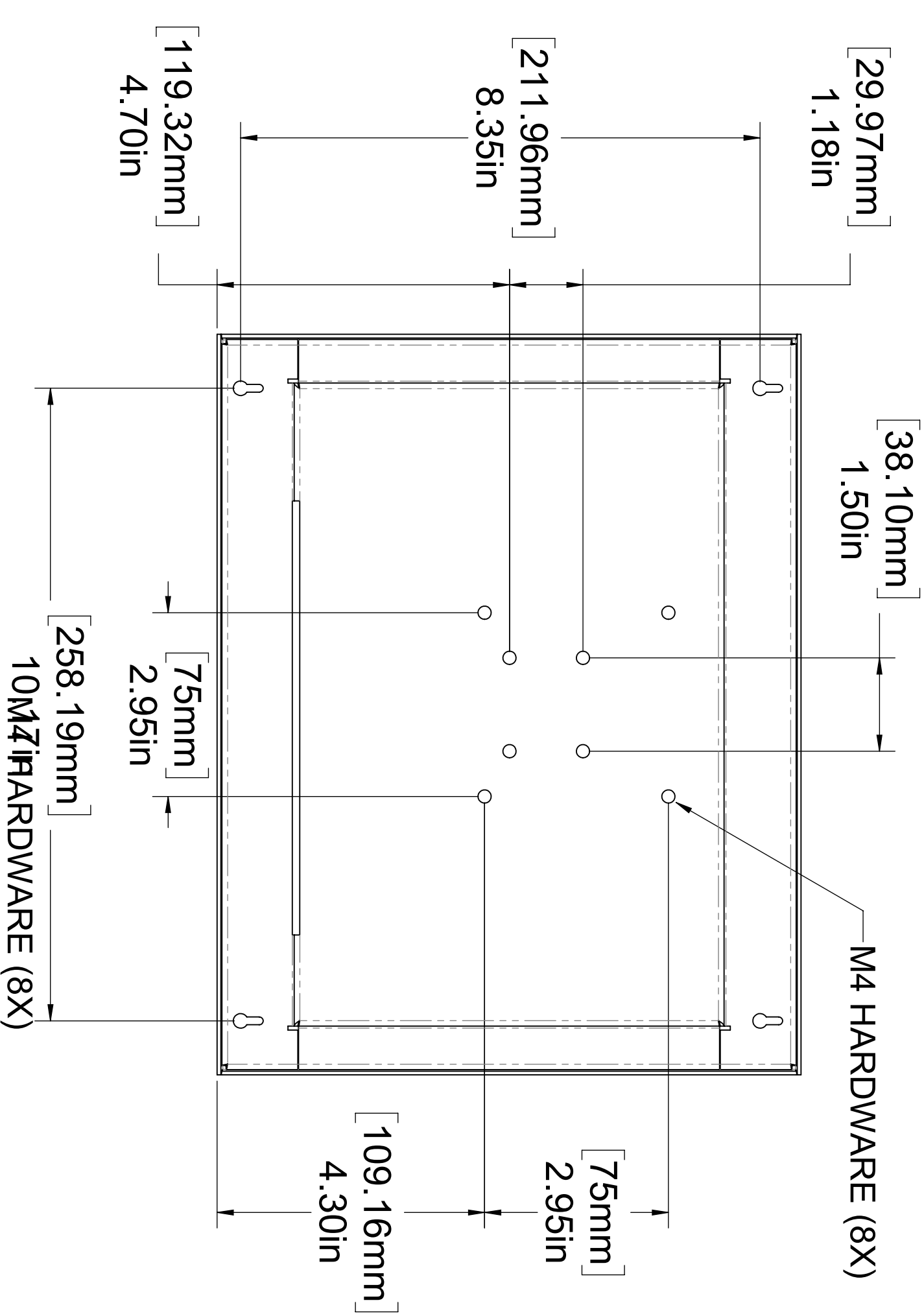
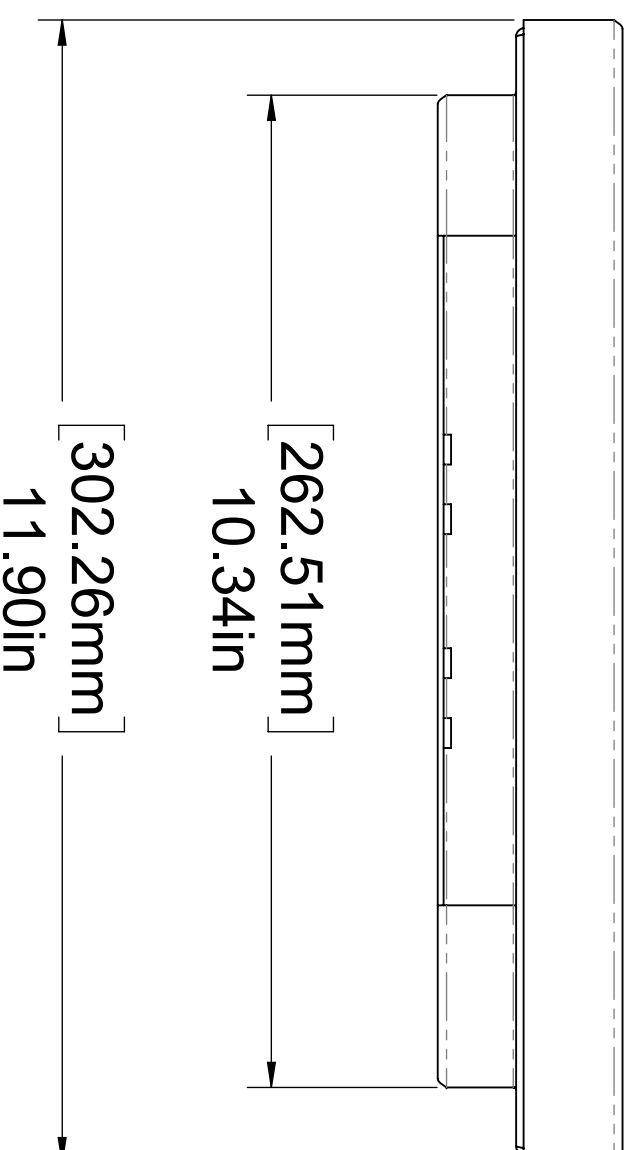
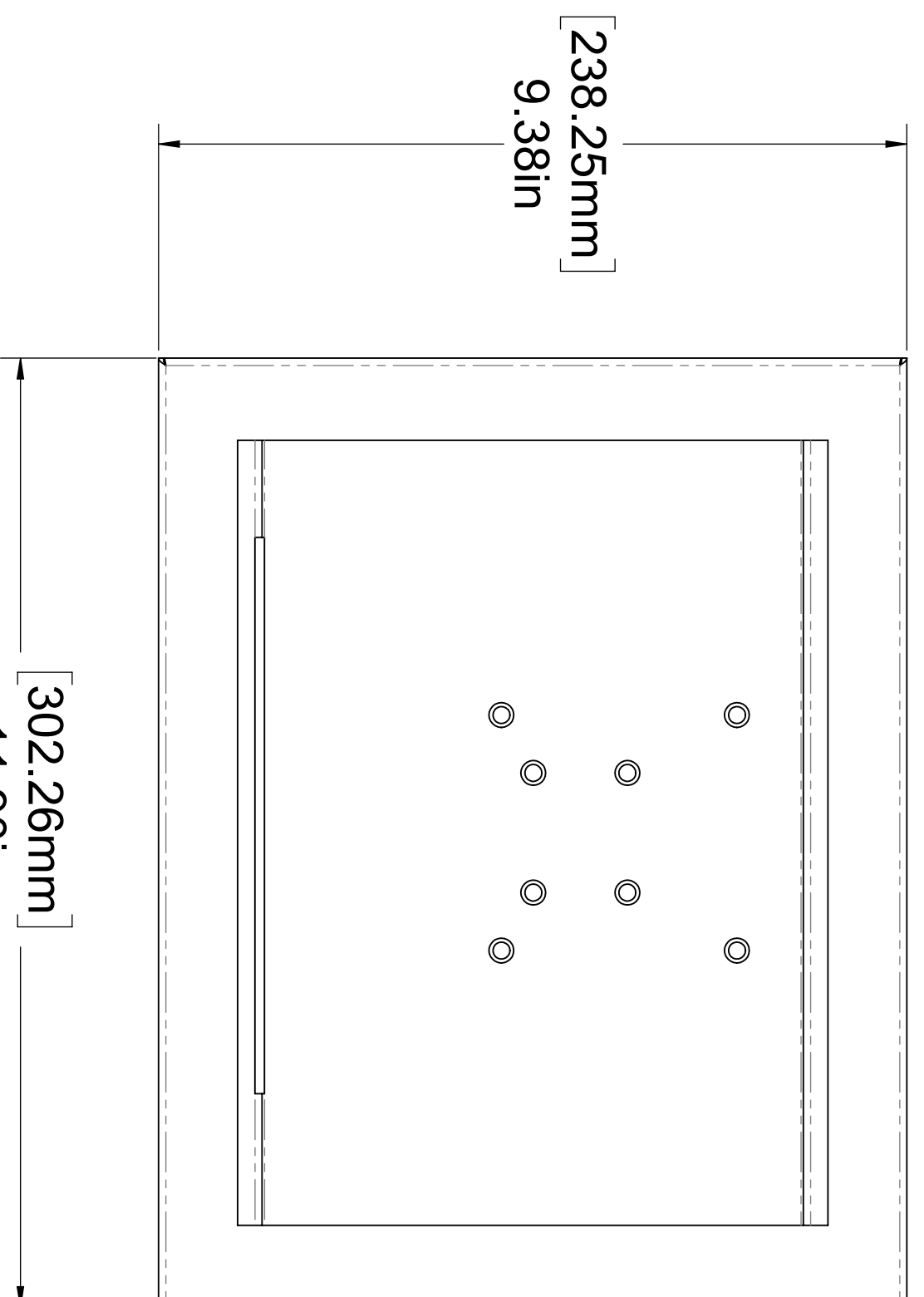
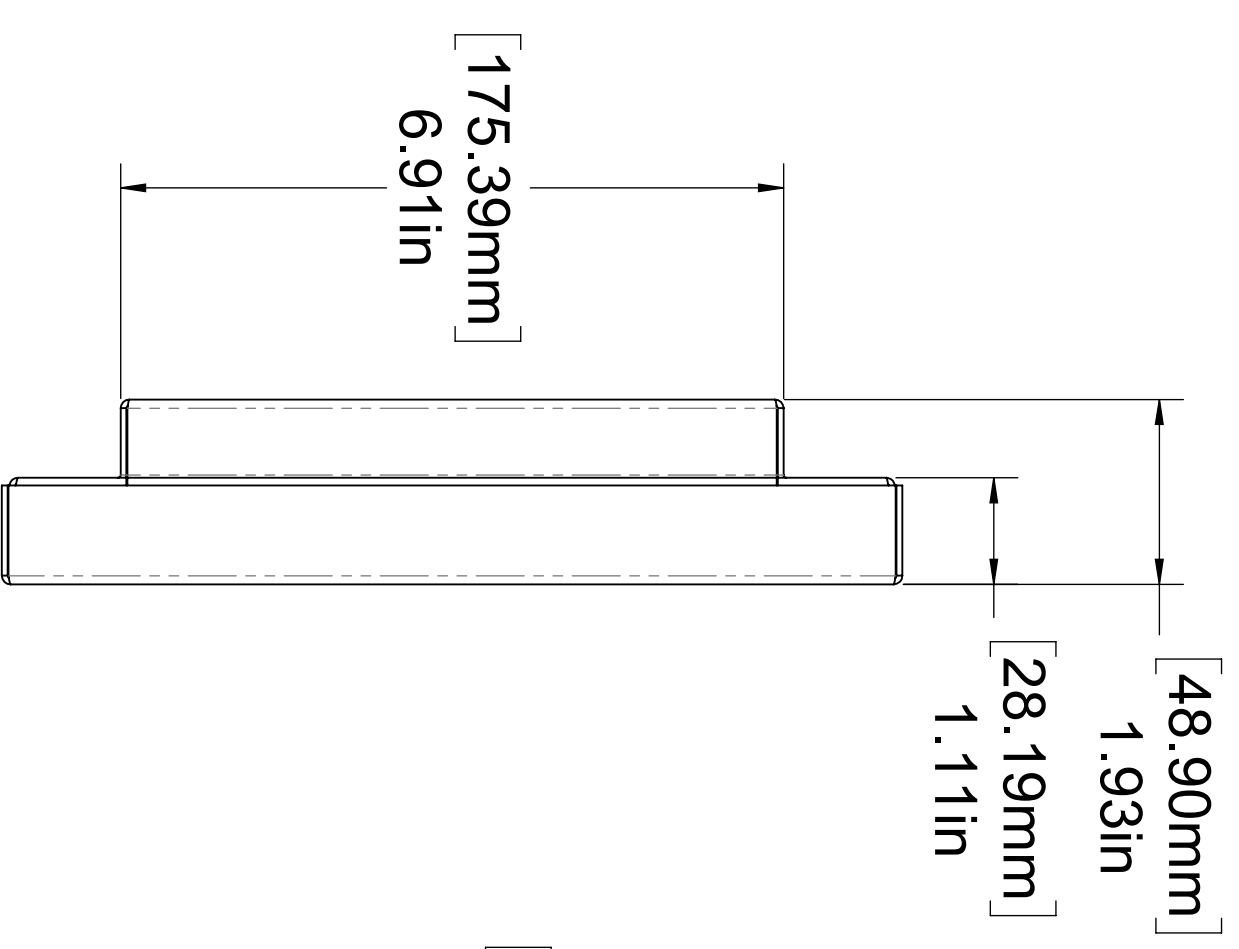
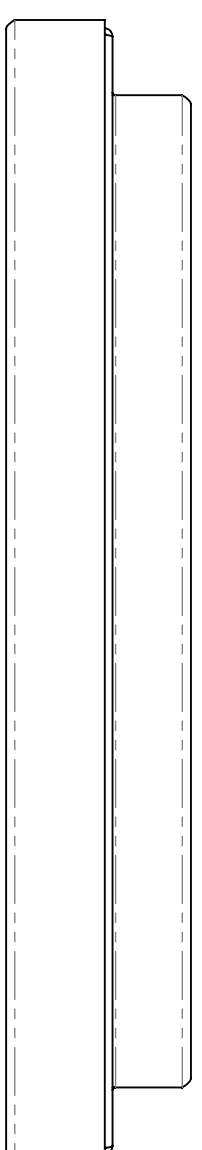
Product Specifications:

Screen Size (Diagonal): 12.1"
Display Technology: TFT
Resolution: 1024 x 768 (XGA)
Brightness: 500 Nits
Interface Input Modes: VGA
Colors: 262,144
Active Area (mm): 245.76 x 184.32
Contrast Ratio: 700:1
Horizontal Viewing Angle: 80° L/R
Vertical Viewing Angle: 80° U/D
Operating Temperature: -30°C to 80°C
Storage Temperature: -30°C to 80°C
Input Voltage: +12V DC
Power Consumption: 950 mA
Display Backlight: LED
RoHS Compliant: Yes
Outline Dimensions (mm):
238.25 x 302.26
Outline Dimensions (in): 11.90 x 9.38
Cable Sold Separately
Touch Screen Version Available: Yes

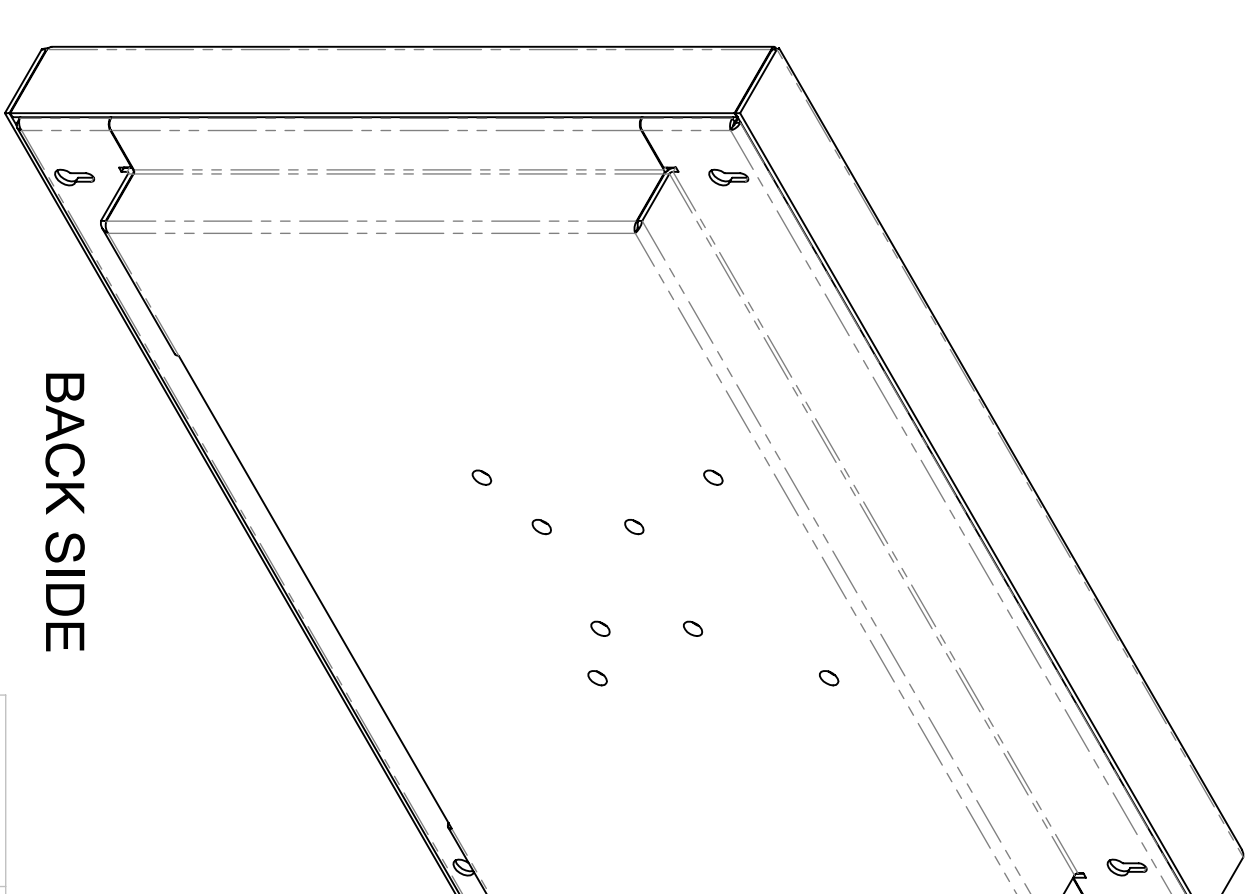
Non-Touch: XLM-12.1-M5
Resistive Touch: XLM-12.1-M5-RT-USB

GENERAL NOTES:

/1/ XLM-12.1M5 DATASHEET REFERENCE



FRONT SIDE



BACK SIDE

REVISIONS

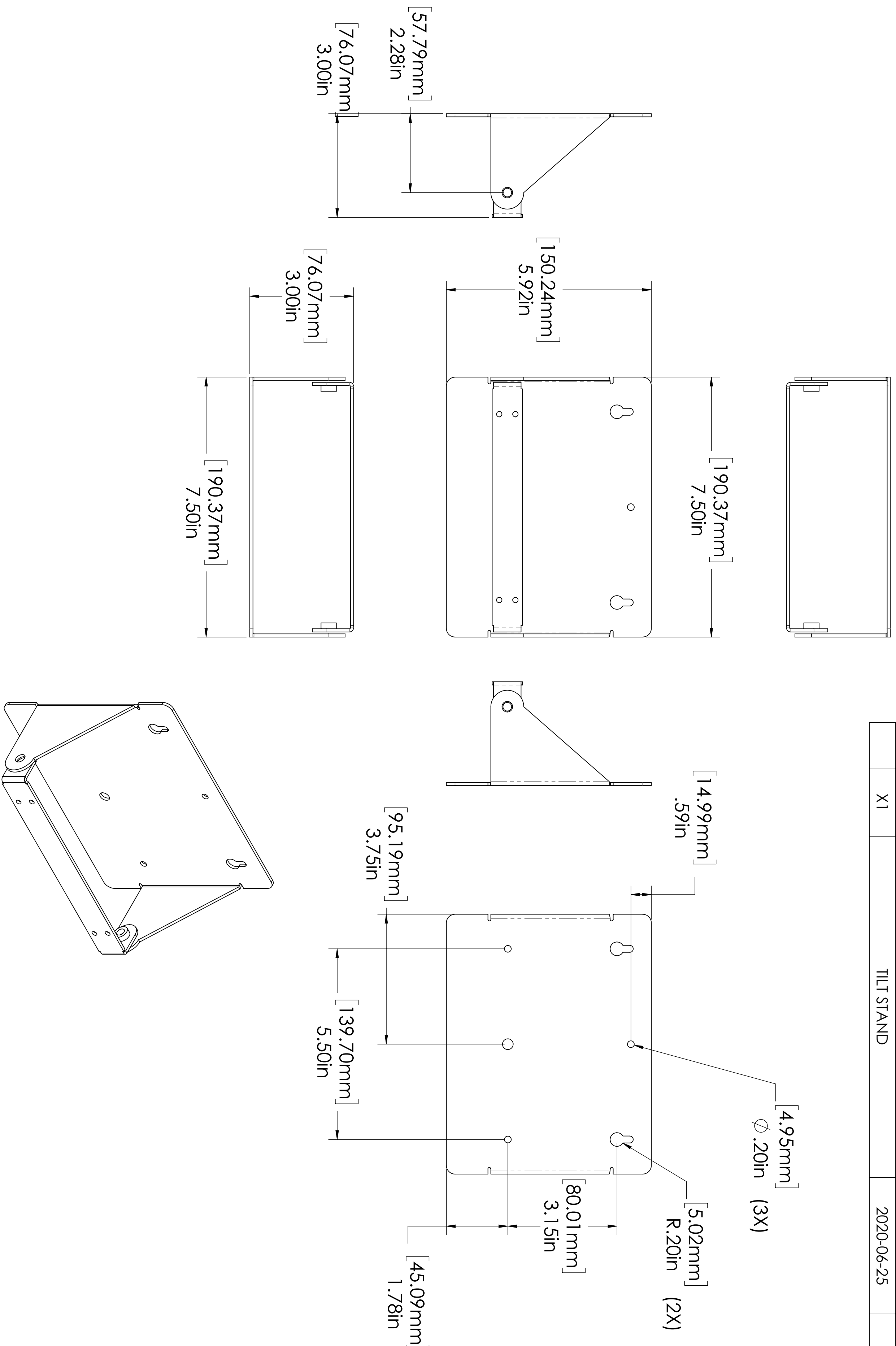
ZONE	REV.	DESCRIPTION	DATE	APPROVED
X1		XLM-12.1M5 DATASHEET REFERENCE	2020-06-24	

THIRD ANGLE PROJECTION

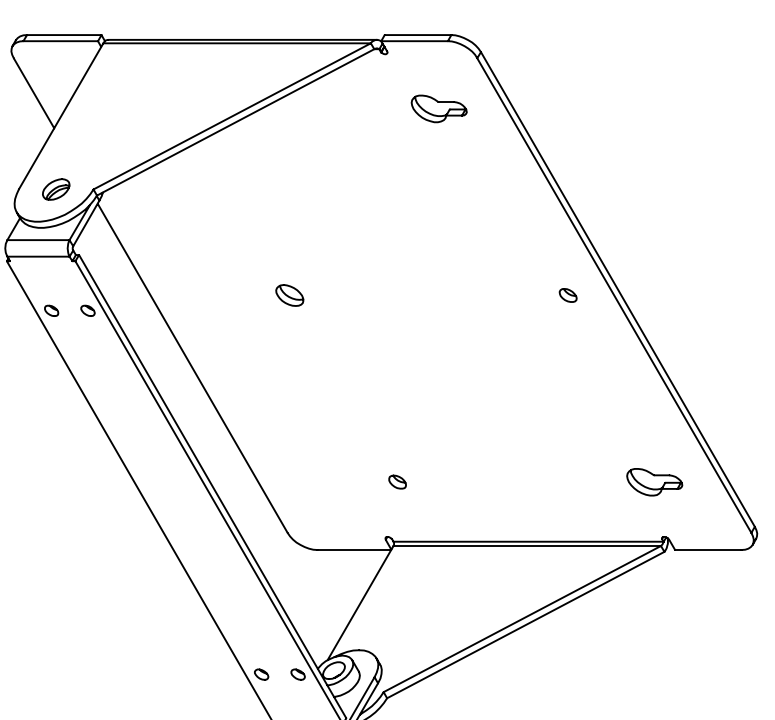
UNLESS OTHERWISE SPECIFIED:	NAME	DATE
DRAWING NO:	XLM_12.1_M5_ASY_X1	
DESIGNER:	ENG APPR:	
CHECKED:	DESIGNER:	
DATE:	2020-06-24	
SCALE:	1:2	
TITLE:	EarthLCD	
SIZE:	A4	
PART NO.:	XLM-12.1_M5	
REV:	X1	
REV:	X1	
SHEET:	1 OF 1	

GENERAL NOTES:
 /1/ TILT STAND DATASHEET.

REVISIONS			DATE	APPROVED
ZONE	REV.	DESCRIPTION	DATE	APPROVED
X1		TILT STAND	2020-06-25	



THIRD ANGLE PROJECTION



UNLESS OTHERWISE SPECIFIED:			
DIMENSIONS ARE IN INCHES	DRAWN	NAME	DATE
TOLERANCES:	TC	JTU	2020-06-25
FRACTIONAL	FRAC		
DECIMAL ±0.125	DEC		
TWO PLACE DECIMAL ±0.01	ENG APPR.		
THREE PLACE DECIMAL ±0.005	MFG APPR.		
INTERPRET GEOMETRIC TOLERANCING PER ASME Y14.5	Q.A.		
MATERIAL	DRAWING NO.:	TILT_STAND_ASY_X1	
SEE MATERIAL	SEE MATERIAL	TILT_STAND_ASY_X1	
FINISH	SEE MATERIAL	TILT_STAND_ASY_X1	
APPLICATION	NEXT ASSY	TILT_STAND_ASY_X1	
	USED ON	TILT_STAND_ASY_X1	
	DO NOT SCALE DRAWING	TILT_STAND_ASY_X1	

EarthLCD

TITLE:			REV
TILT STAND			X1
SIZE	PART NO.:	REV	
C	TILT STAND	X1	
SCALE: 1:2	WEIGHT:	SHEET 1 OF 1	