

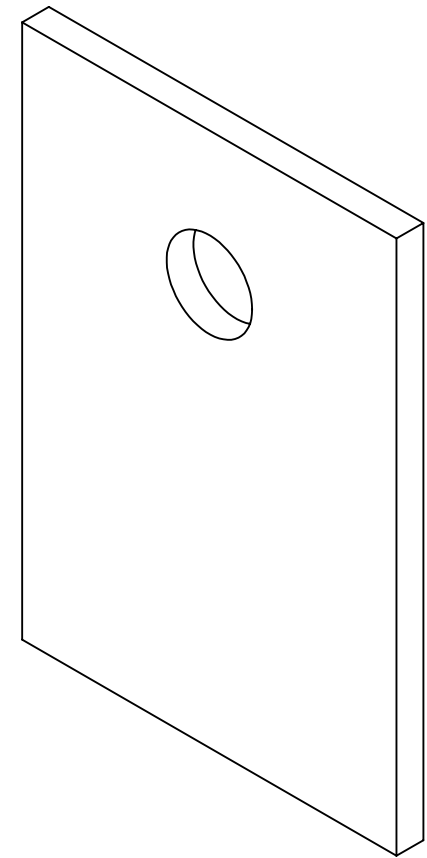
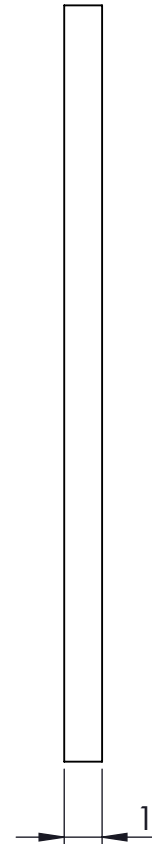
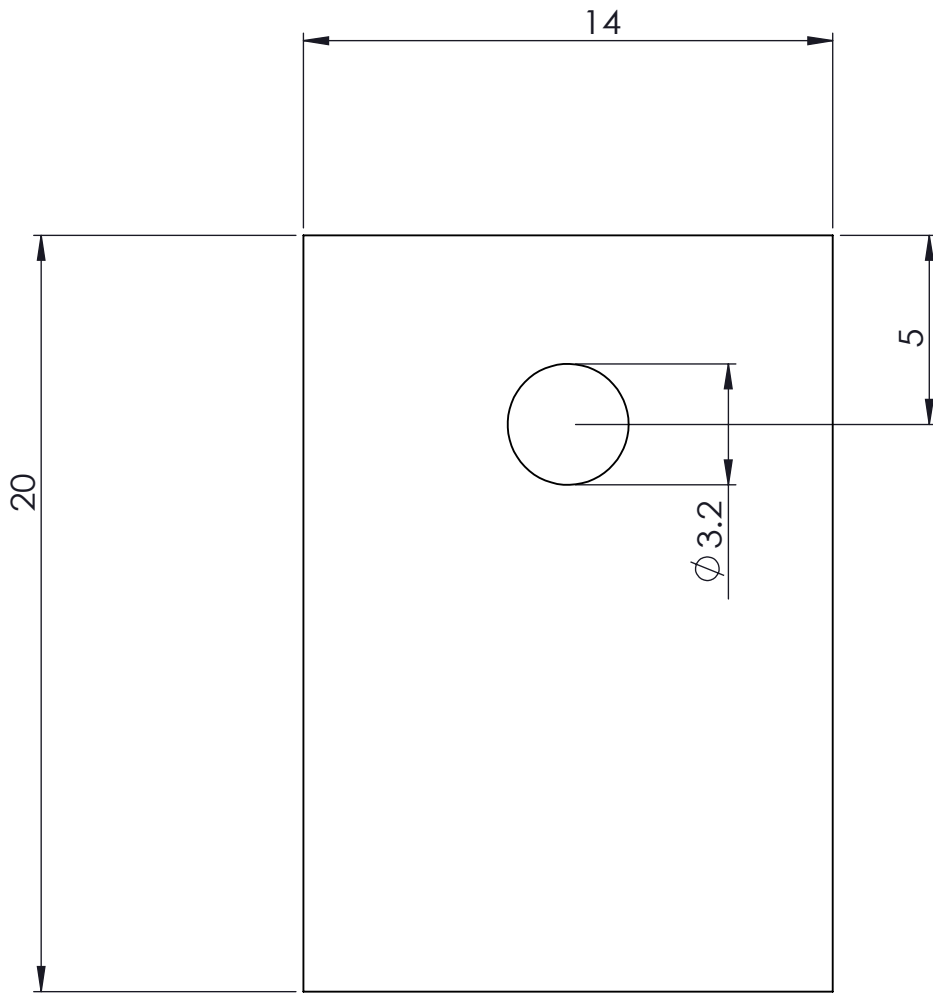
201~300	±2.0
151~200	±1.5
101~150	±1.0
51~100	±0.7
31~50	±0.5
11~30	±0.3
<10	±0.2
RANGE	TOLERANCE
TOLERANCES	



DRAWING NAME :	1. T0-220
SPECIFICATION:	
REMARK:	

REV	UNIT MM	SCALE 5:1	MATERIAL XL-25D
	DATE	NAME	PAGE
DRAWN		Santhou	
DESIGN			
CHECK			





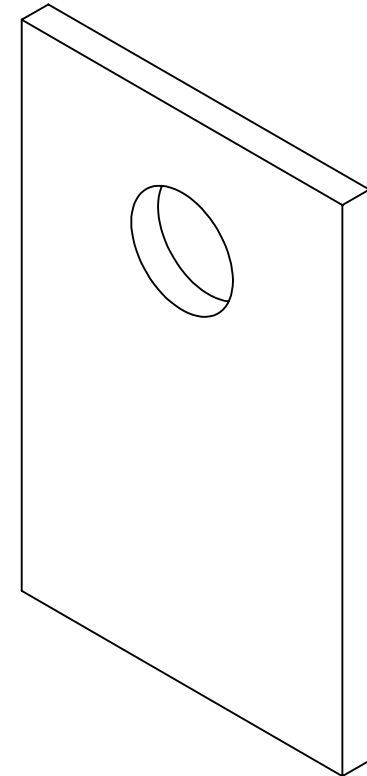
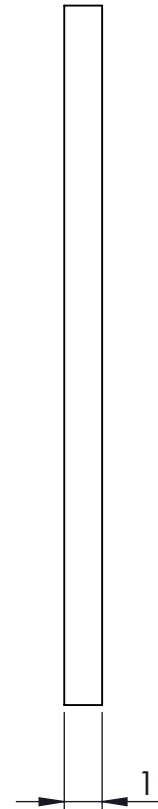
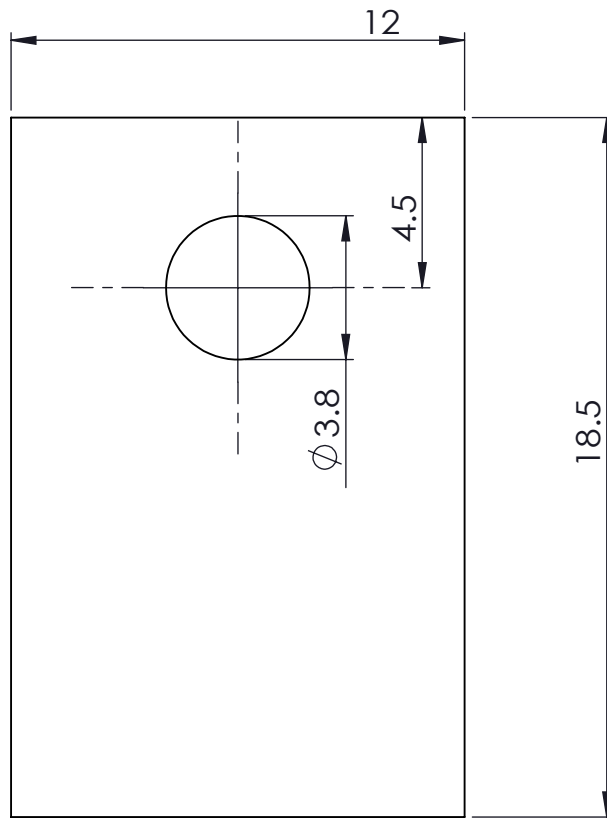
201~300	±2.0
151~200	±1.5
101~150	±1.0
51~100	±0.7
31~50	±0.5
11~30	±0.3
<10	±0.2
RANGE	TOLERANCE
TOLERANCES	



DRAWING NAME :	2. T0-220
SPECIFICATION:	
REMARK:	

REV	UNIT MM	SCALE 5:1	MATERIAL XL-25D
	DATE	NAME	PAGE
DRAWN		Santhou	
DESIGN			
CHECK			



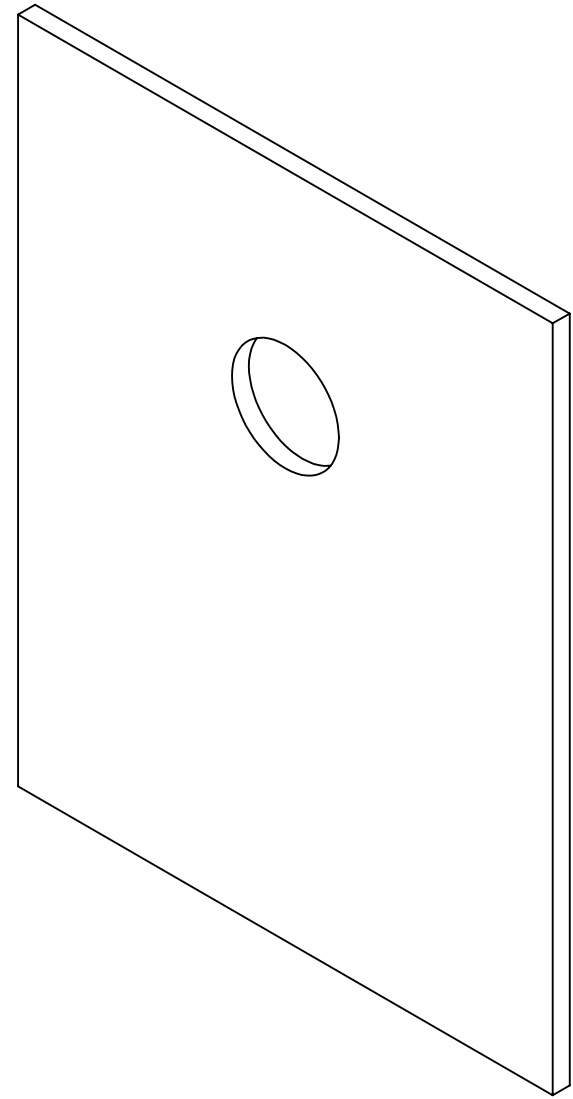
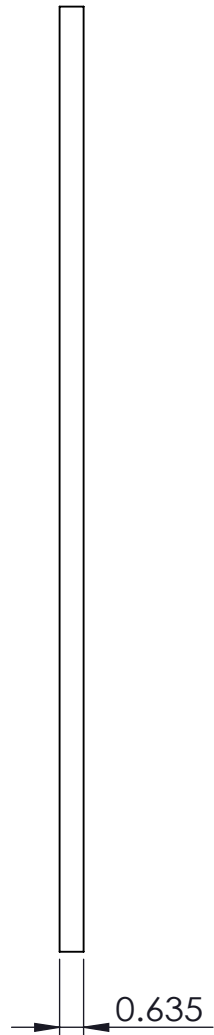
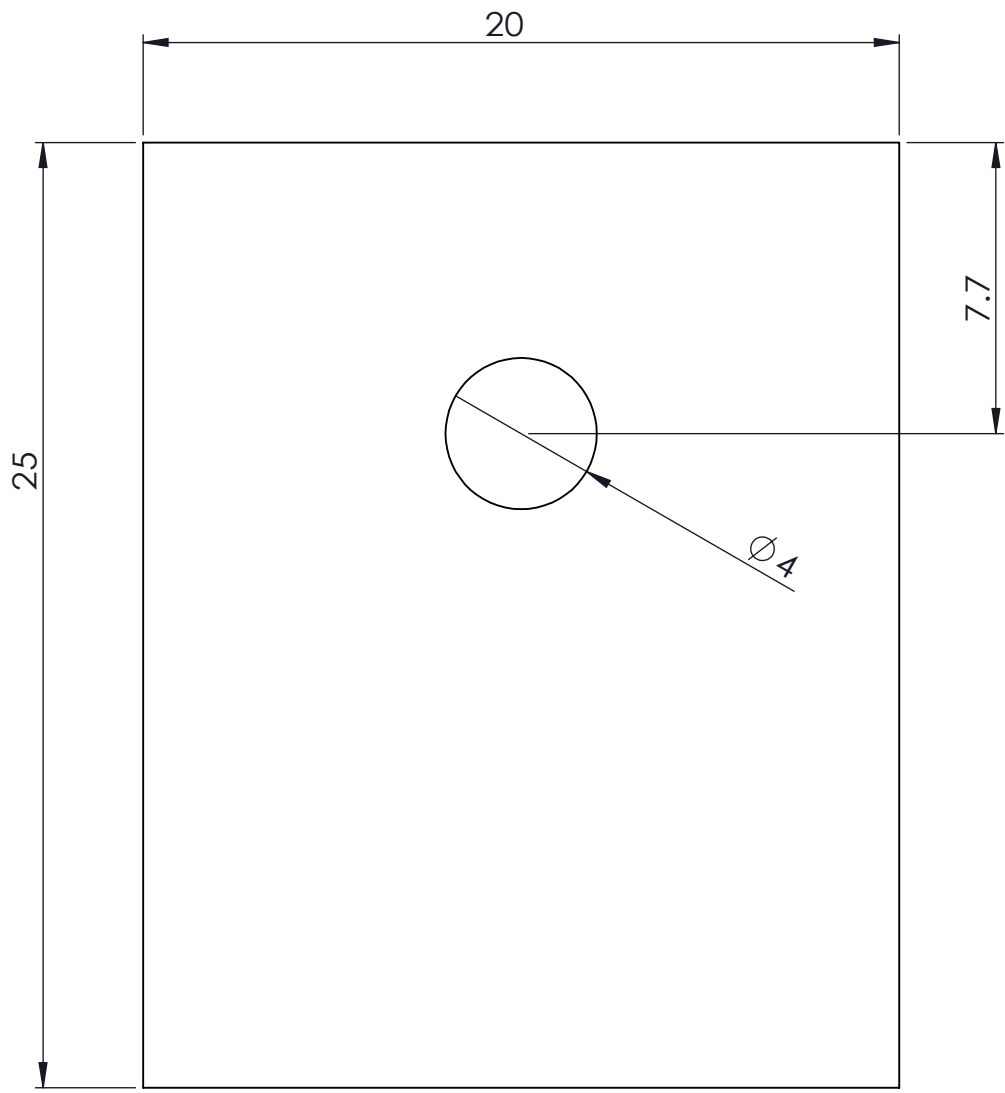


201~300	± 2.0
151~200	± 1.5
101~150	± 1.0
51~100	± 0.7
31~50	± 0.5
11~30	± 0.3
<10	± 0.2
RANGE	TOLERANCE
TOLERANCES	



DRAWING NAME :	3. T0-220
SPECIFICATION:	
REMARK:	

REV	UNIT MM	SCALE 5:1	MATERIAL XL-25D
	DATE	NAME Santhou	PAGE
DRAWN			
DESIGN			
CHECK			

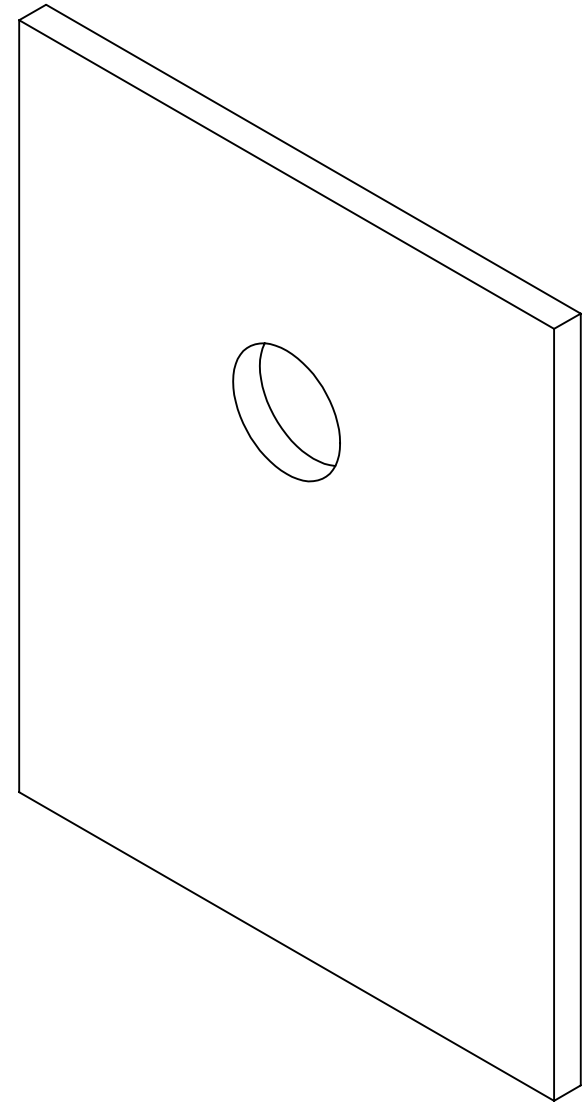
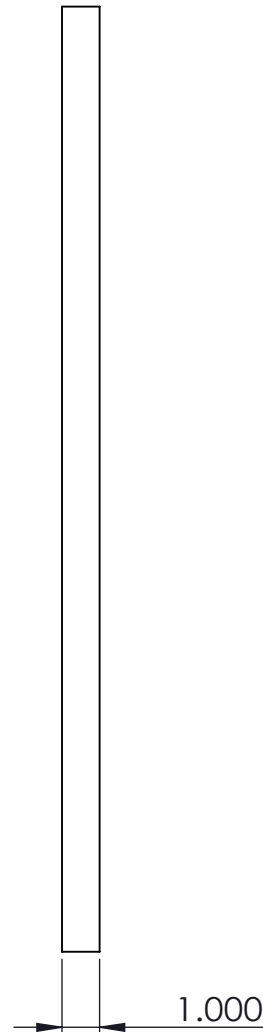
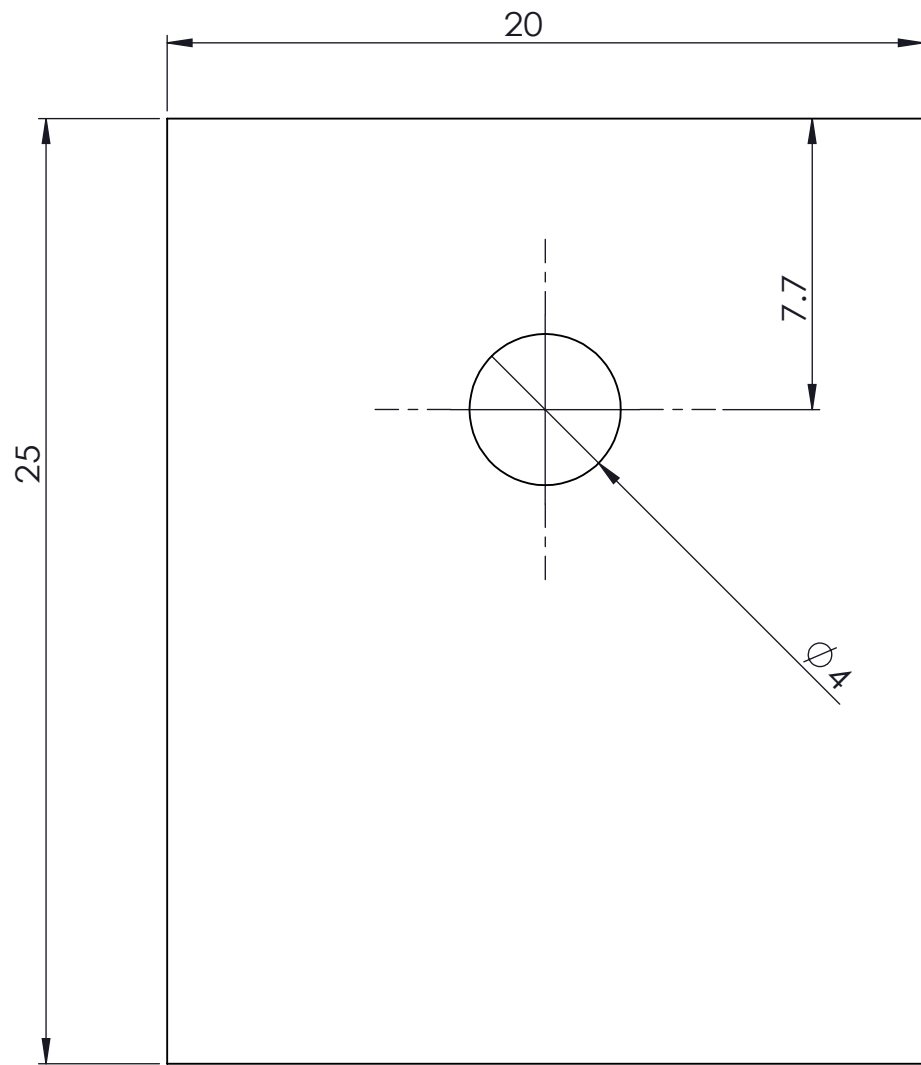


201~300	± 2.0
151~200	± 1.5
101~150	± 1.0
51~100	± 0.7
31~50	± 0.5
11~30	± 0.3
<10	± 0.2
RANGE	TOLERANCE
TOLERANCES	



DRAWING NAME :	4. TQ-3P
SPECIFICATION:	
REMARK:	

REV	UNIT MM	SCALE 5:1	MATERIAL XL-25D
	DATE	NAME Santhou	PAGE
DRAWN			
DESIGN			
CHECK			

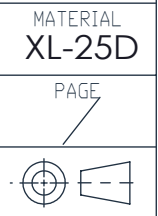


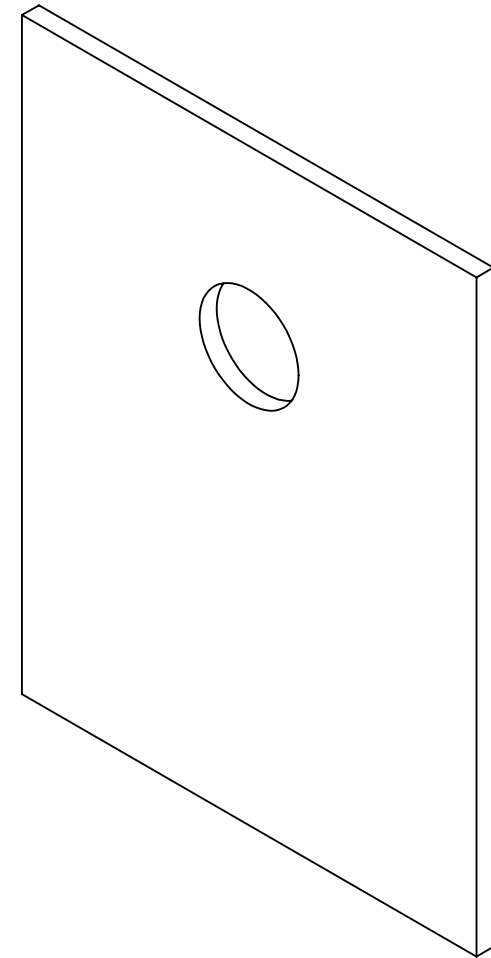
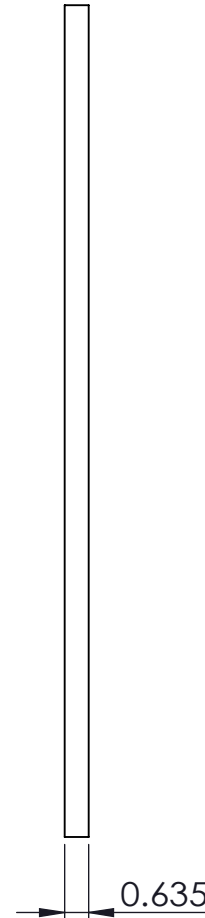
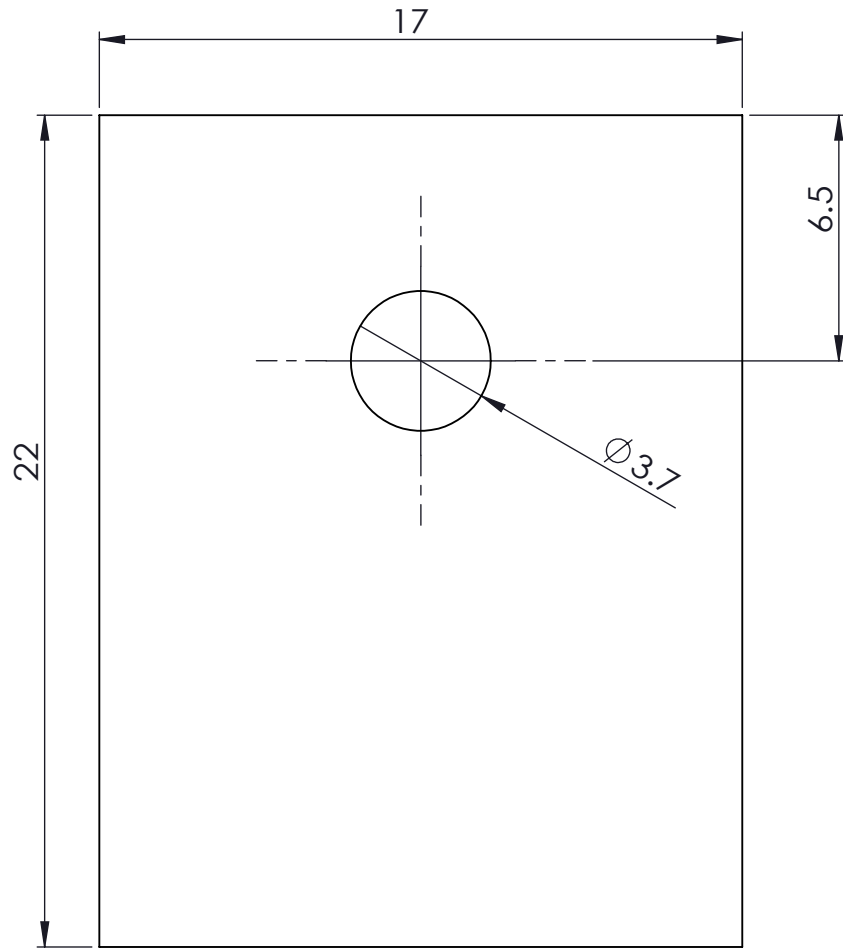
201~300	± 2.0
151~200	± 1.5
101~150	± 1.0
51~100	± 0.7
31~50	± 0.5
11~30	± 0.3
<10	± 0.2
RANGE	TOLERANCE
TOLERANCES	



DRAWING NAME :	5. TQ-3P
SPECIFICATION:	
REMARK:	

REV	UNIT MM	SCALE 5:1	MATERIAL XL-25D
	DATE	NAME Santhou	PAGE
DRAWN			
DESIGN			
CHECK			



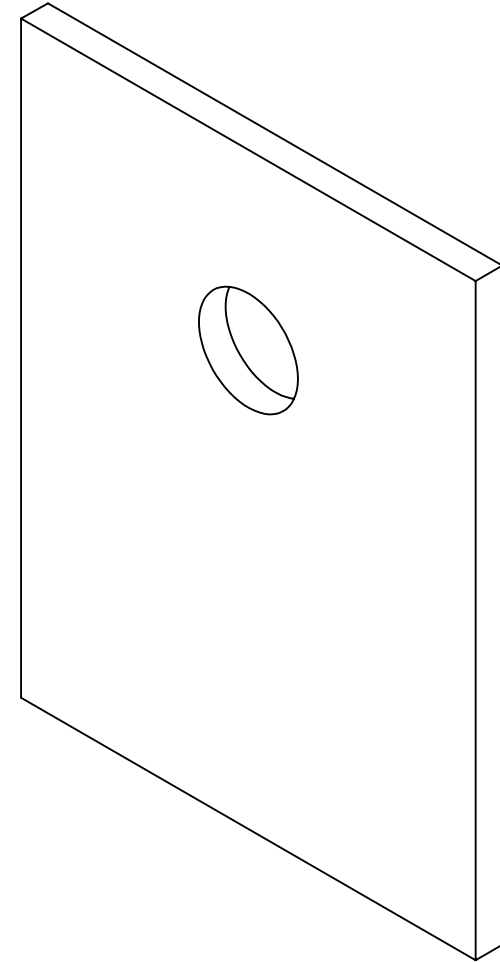
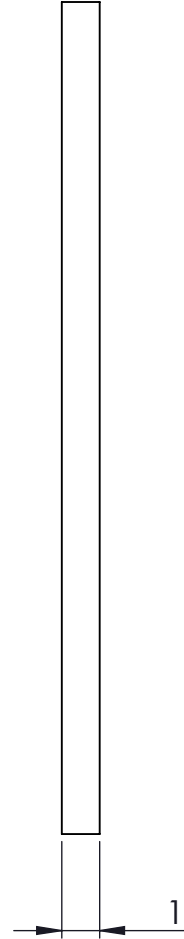
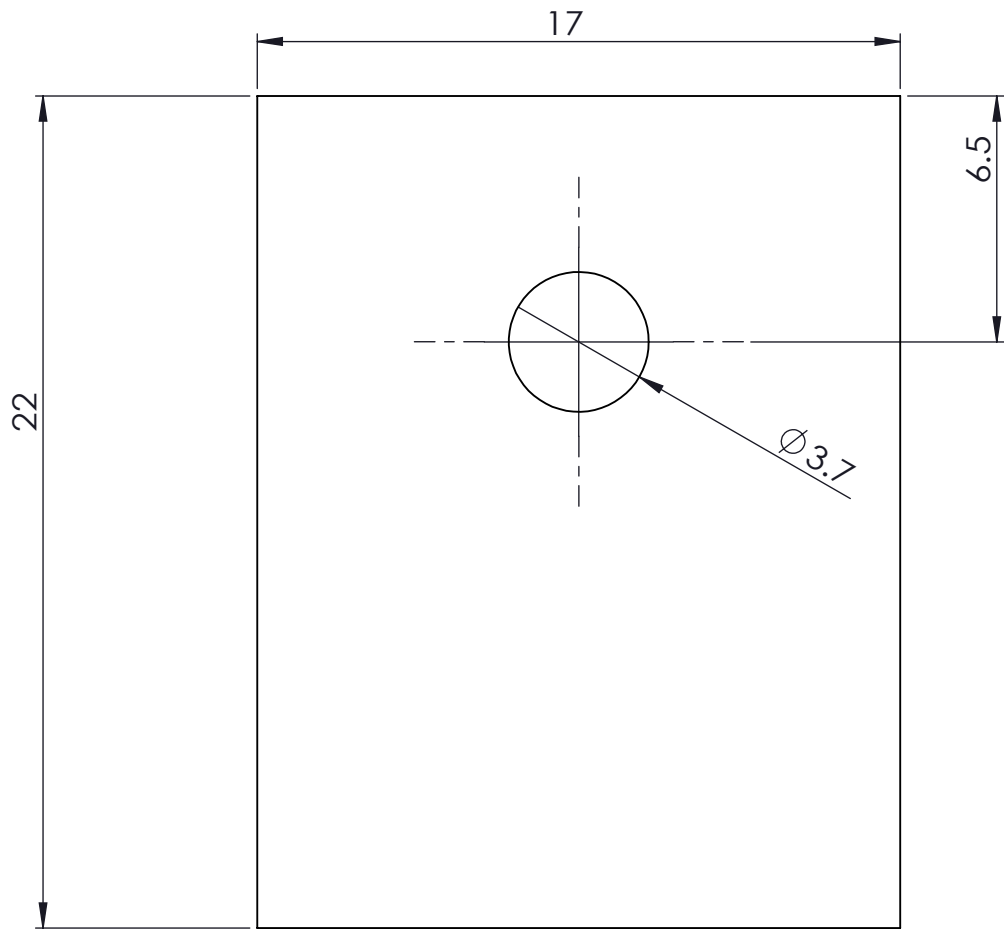


201~300	± 2.0
151~200	± 1.5
101~150	± 1.0
51~100	± 0.7
31~50	± 0.5
11~30	± 0.3
<10	± 0.2
RANGE	TOLERANCE
TOLERANCES	



DRAWING NAME :	6. TD-247
SPECIFICATION:	
REMARK:	

REV	UNIT MM	SCALE 5:1	MATERIAL XL-25D
	DATE	NAME Santhou	PAGE
DRAWN			
DESIGN			
CHECK			



201~300	± 2.0
151~200	± 1.5
101~150	± 1.0
51~100	± 0.7
31~50	± 0.5
11~30	± 0.3
<10	± 0.2
RANGE	TOLERANCE
TOLERANCES	



DRAWING NAME :

7. TD-247

SPECIFICATION:

REMARK:

REV

UNIT
MM

SCALE
5:1

MATERIAL
XL-25D

DATE

NAME

PAGE

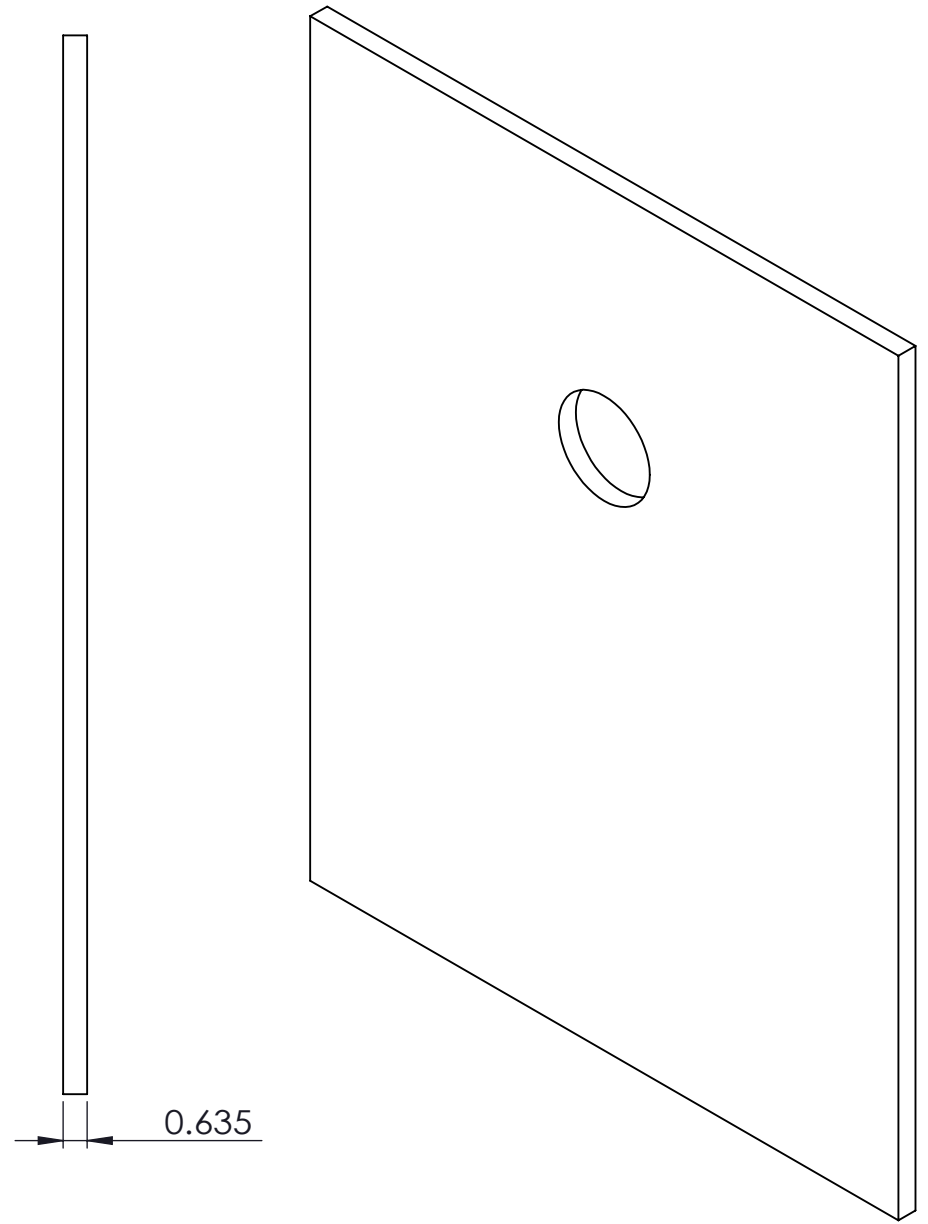
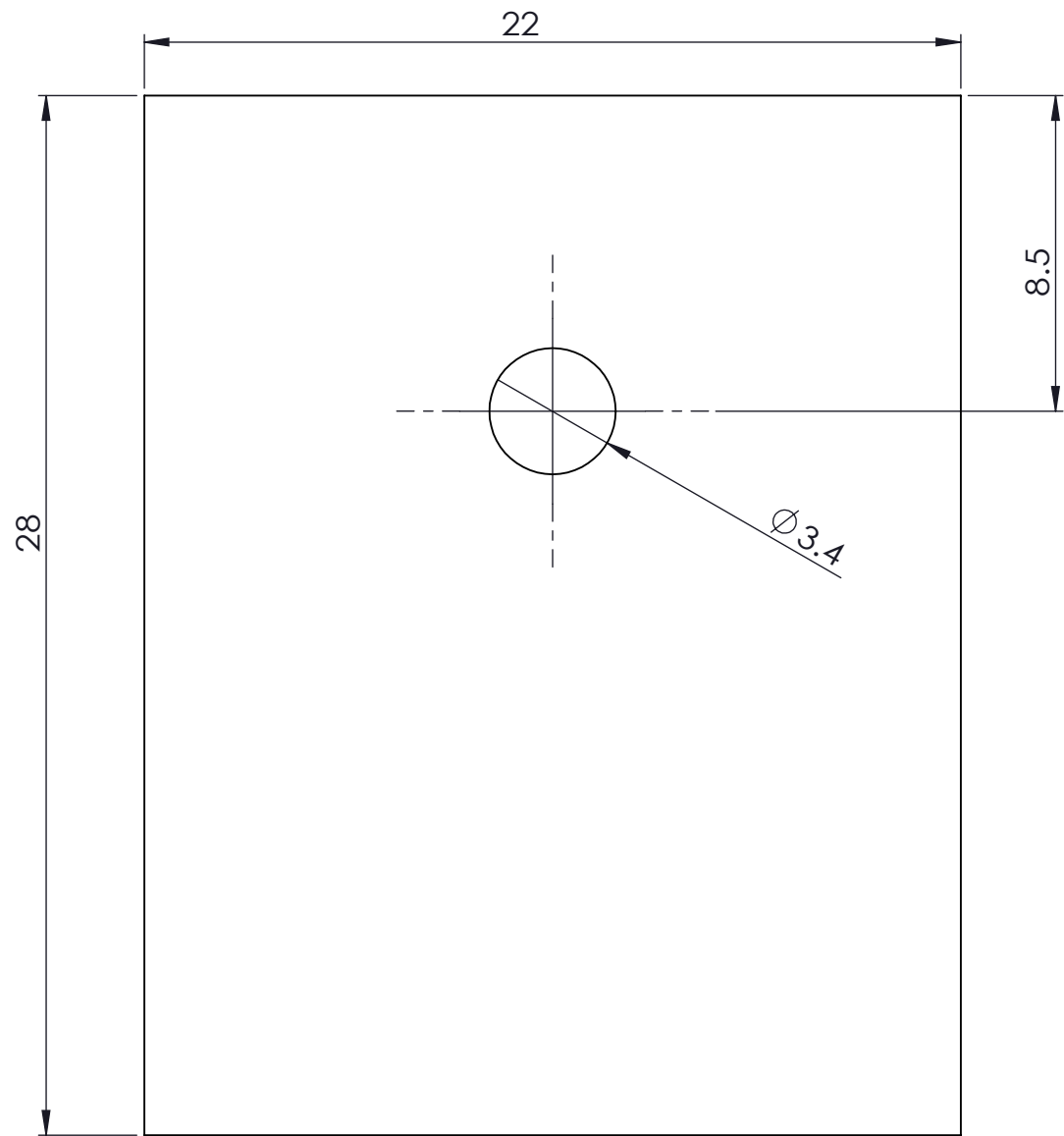
DRAWN

Santhou

DESIGN

CHECK



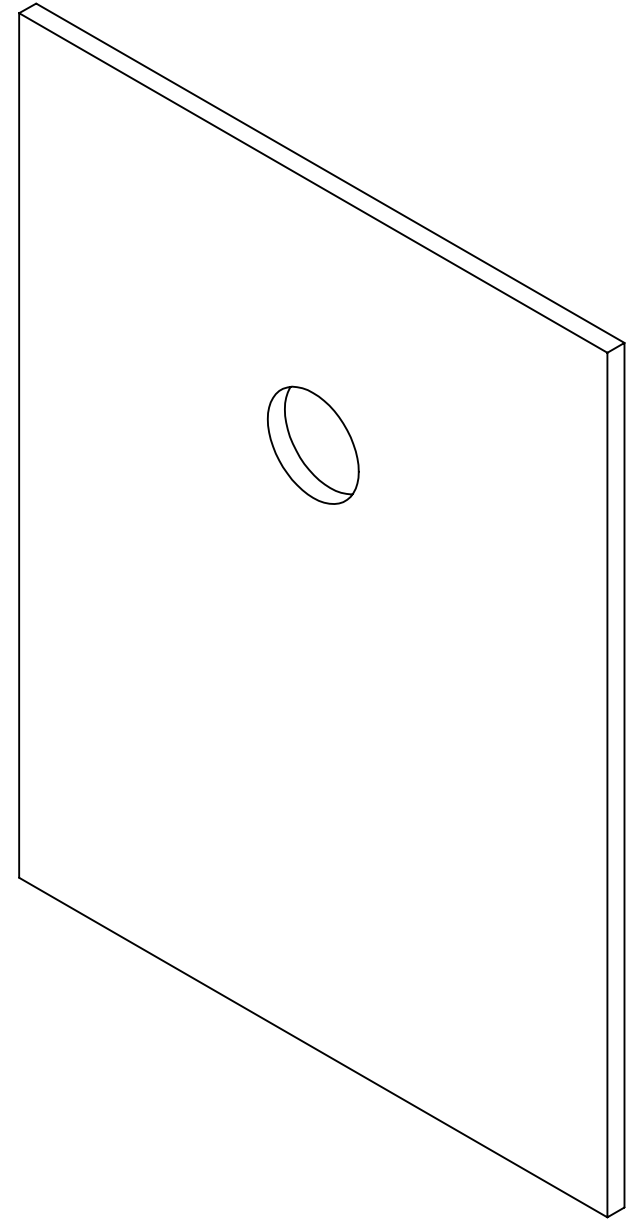
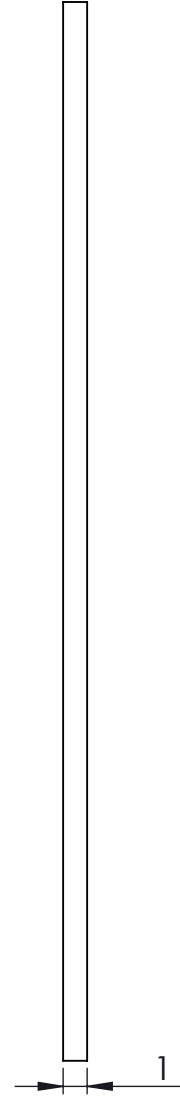
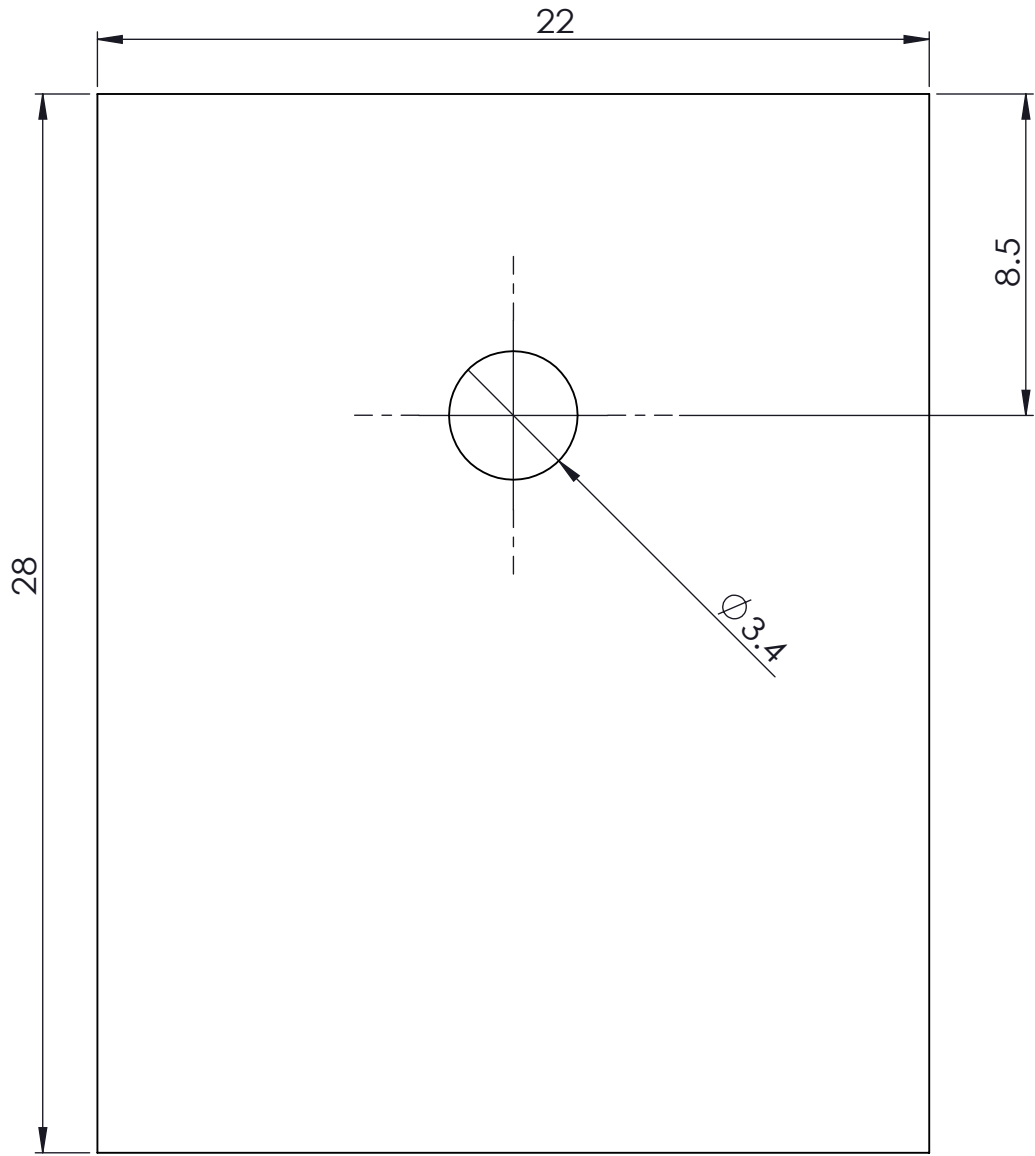


201~300	± 2.0
151~200	± 1.5
101~150	± 1.0
51~100	± 0.7
31~50	± 0.5
11~30	± 0.3
<10	± 0.2
RANGE	TOLERANCE
TOLERANCES	



DRAWING NAME :	8. TD-264
SPECIFICATION:	
REMARK:	

REV	UNIT MM	SCALE 5:1	MATERIAL XL-25D
	DATE	NAME Santhou	PAGE
DRAWN			
DESIGN			
CHECK			



201~300	± 2.0
151~200	± 1.5
101~150	± 1.0
51~100	± 0.7
31~50	± 0.5
11~30	± 0.3
<10	± 0.2
RANGE	TOLERANCE
TOLERANCES	



DRAWING NAME :	9. TD-264	REV	UNIT MM	SCALE 5:1	MATERIAL XL-25D
SPECIFICATION:			DATE	NAME	PAGE
REMARK:		DRAWN		Santhou	
		DESIGN			
		CHECK			