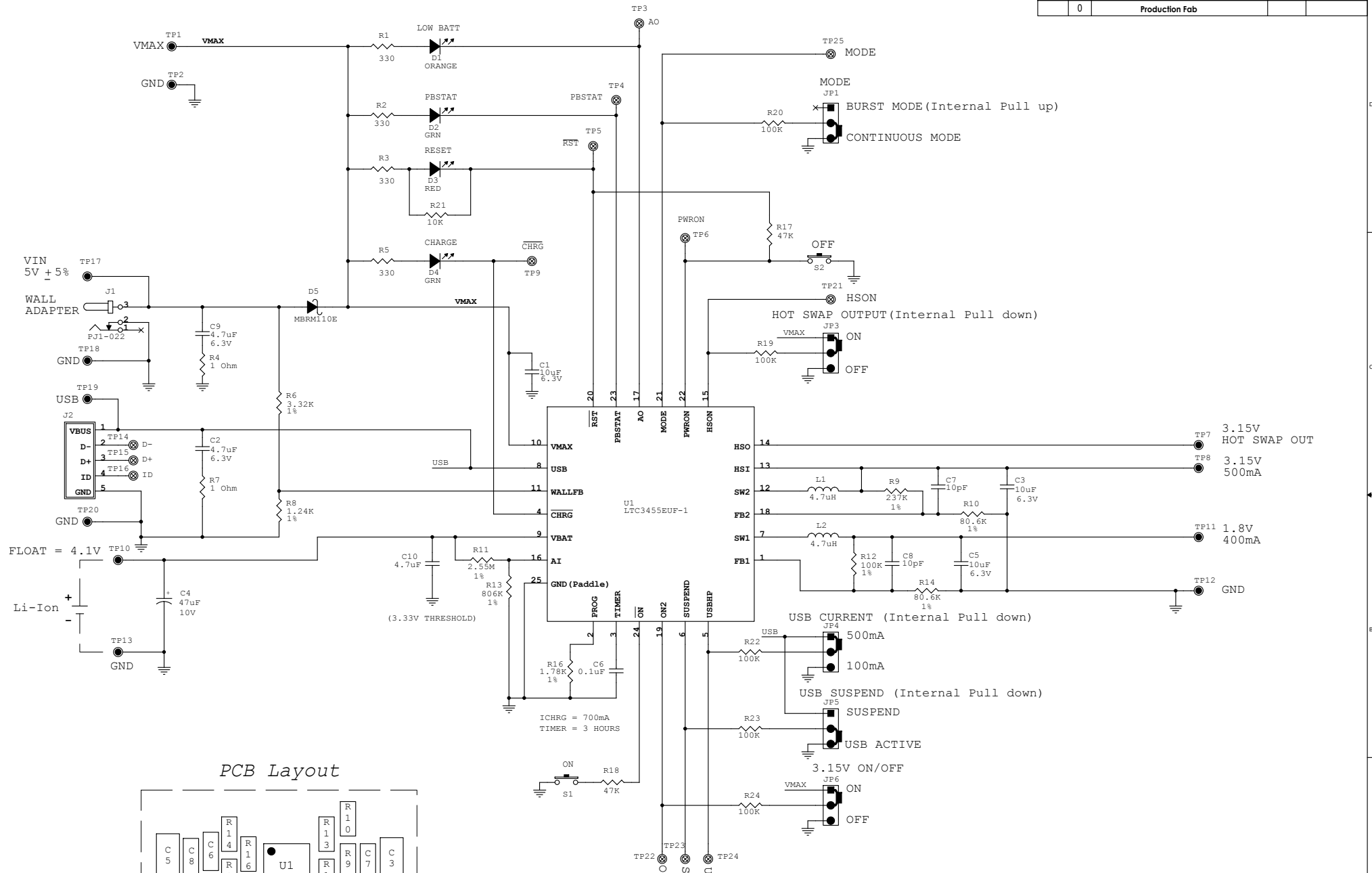


REVISION HISTORY				
ECO	REV	DESCRIPTION	DATE	APPROVED
	0	Production Fab		



CUSTOMER NOTICE
 LINEAR TECHNOLOGY HAS MADE A BEST EFFORT TO DESIGN A CIRCUIT THAT MEETS CUSTOMER-SUPPLIED SPECIFICATIONS; HOWEVER, IT REMAINS THE CUSTOMER'S RESPONSIBILITY TO VERIFY PROPER AND RELIABLE OPERATION IN THE ACTUAL APPLICATION. COMPONENT SUBSTITUTION AND PRINTED CIRCUIT BOARD LAYOUT MAY SIGNIFICANTLY AFFECT CIRCUIT PERFORMANCE OR RELIABILITY. CONTACT LINEAR TECHNOLOGY APPLICATIONS ENGINEERING FOR ASSISTANCE.

THIS CIRCUIT IS PROPRIETARY TO LINEAR TECHNOLOGY AND SUPPLIED FOR USE WITH LINEAR TECHNOLOGY PARTS.

CONTRACT NO.			1630 McCarthy Blvd. Milpitas, CA 95035 Phone: (408)432-1900 Fax: (408)434-0507 LTC Confidential-For Customer Use Only	
APPROVALS			TITLE: SCHEMATIC	
DRAWN: N. Carbone		LTC3455EU-1, USB Power Solution USB/Adapter to Li-Ion, 3.15V, 1.8V		
CHECKED:		SIZE	DWG NO.	REV
APPROVED:		A	DC1448A	A
ENGINEER: M. Merchand		DATE: Monday, September 08, 2008		
DESIGNER:		SHEET 1 OF 2		