

Contact Layout

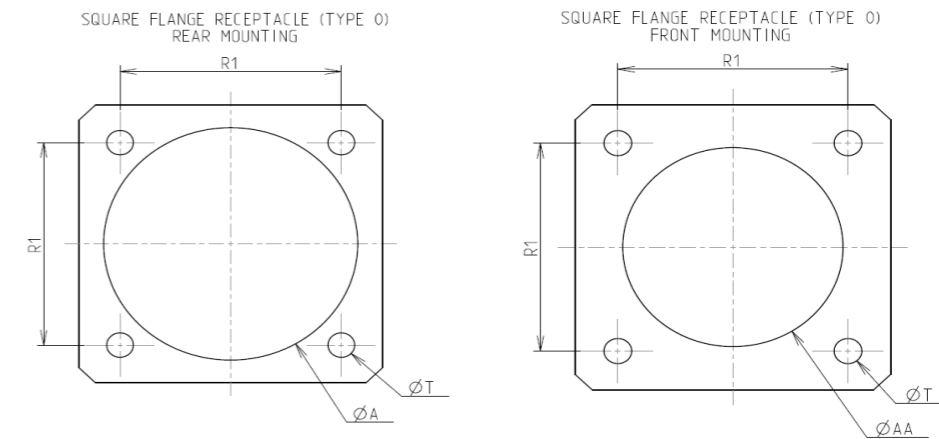
20*



4#12
16#22D

17-20		
Ctc	X	Y
A	0	5.51
B	3.17	0
C	0	-5.51
D	-3.17	0
1	4.16	7.06
2	4.29	4.29
3	7.11	4.03
4	8.05	1.4
5	8.05	-1.4
6	7.11	-4.03
7	4.29	-4.29
8	4.16	-7.06
9	-4.16	-7.06
10	-4.29	-4.29
11	-7.11	-4.03
12	-8.05	-1.4
13	-8.05	1.4
14	-7.11	4.03
15	-4.29	4.29
16	-4.16	7.06

Panel Cutout



Max. thickness panel for receptacle: Type 0: front mounting = 3.2 mm, rear mounting = 2.5 mm

Dim	Nominal
ØA	30.96 min
ØAA	25.81 min
R1	26.97
ØT	3.25 ±0.13

SOURIAU shall not be liable for any non-conformity or damage due to a use of the Products which does not comply with the Specifications issued by either of the Parties or by a third party (professional recommendation, technical notice.)

Country	Jurisdiction & Control List
FR	Not Listed

PN: 8D017Z20AN

B	18-04-17	Drawing Update	
ISS	DATE	Latest modification - by	MOD N°
Designed By:		Date:	CUSTOMER DRAWING
TITLE	Aluminium Receptacle 8D series		
SCALE		General linear Tolerances:	NPRDS / PROJECT
NA		±--	859
SOURIAU	WWW.SOURIAU.COM		This document is the property of SOURIAU it must not be reproduced or communicated without permission
FORMAT	SOURIAU DRG N° 8D017Z20AN-C		SHEET 2/2