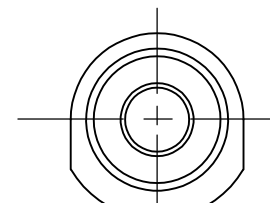
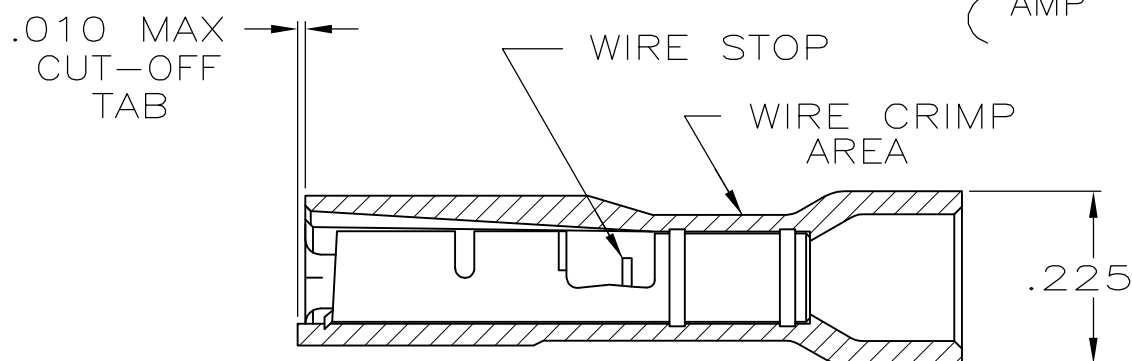
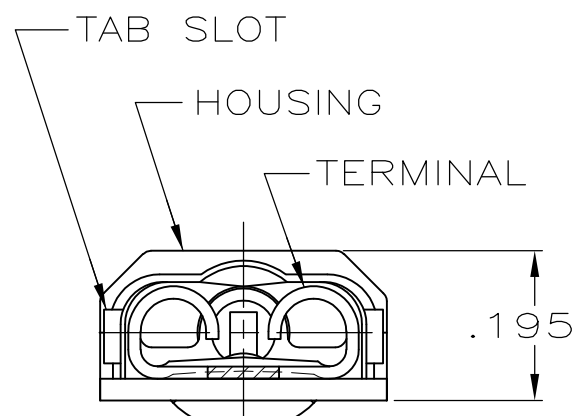
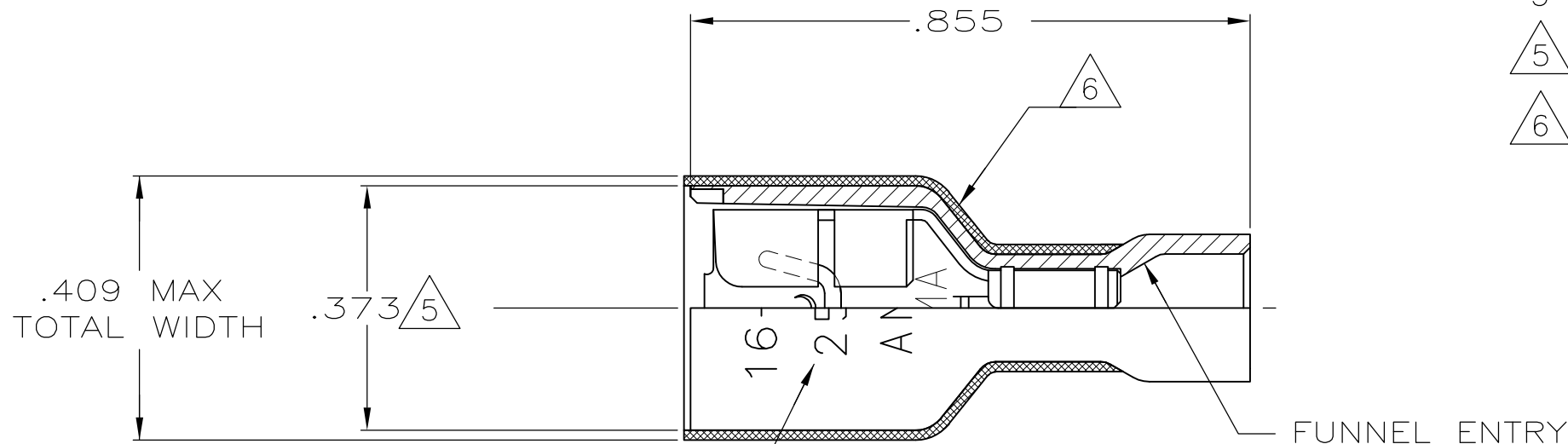


THIS DRAWING IS UNPUBLISHED. RELEASED FOR PUBLICATION

© COPYRIGHT - By - ALL RIGHTS RESERVED.

LOC	DIST	REVISIONS					
AF	50	P	LTR	DESCRIPTION	DATE	DWN	APVD
		S		REVISED PER ECR-13-004343	30JUL13	KH	KR

- 1 MATES WITH .032±.001x.250 TAB
- 2 WIRE STRIP LENGTH .281
- 3 INSULATION SIZE .160 MAX DIA
- △5 DIMENSION DOES NOT INCLUDE TRIM BURR
- △6 .015 MAX CARRIER TRIM BURR PER SIDE IS ALLOWABLE IN THE SHADED AREA



HOUSING: NYLON, COLOR-BLUE TRANSLUCENT
 RECEPTACLE: BRASS TIN

3-350820-2

MATERIAL & FINISH

PART NO

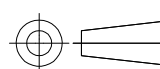
THIS DRAWING IS A CONTROLLED DOCUMENT.

DWN P FORTNEY 10/5/88
 CHK JR RUTH 10/6/88
 APVD KA RANDOLPH 10/6/88



DIMENSIONS: INCHES

TOLERANCES UNLESS OTHERWISE SPECIFIED:



0 PLC	± -
1 PLC	± -
2 PLC	± -
3 PLC	± .015
4 PLC	± -
ANGLES	± -

MATERIAL

SEE TABLE

FINISH

SEE TABLE

108-2043

114-2123

WEIGHT -

CUSTOMER DRAWING

NAME
 RECEPTACLE ASSY, ULTRA-FAST,
 LOOSE PIECE, .250 SERIES, 16-14 AWG

SIZE	CAGE CODE	DRAWING NO	RESTRICTED TO
A3	00779	C-350820	-

SCALE 4:1 SHEET 1 OF 1 REV S