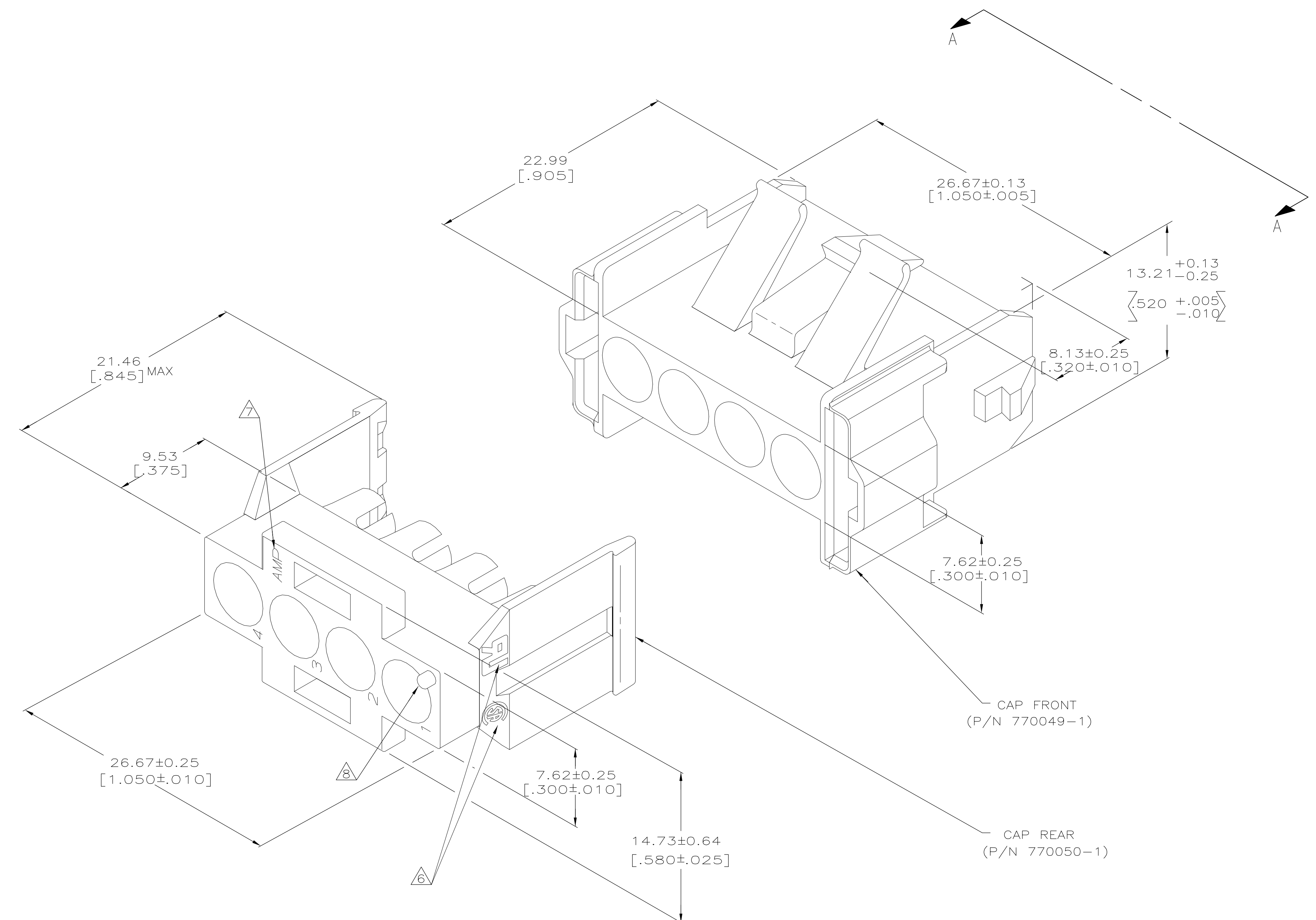
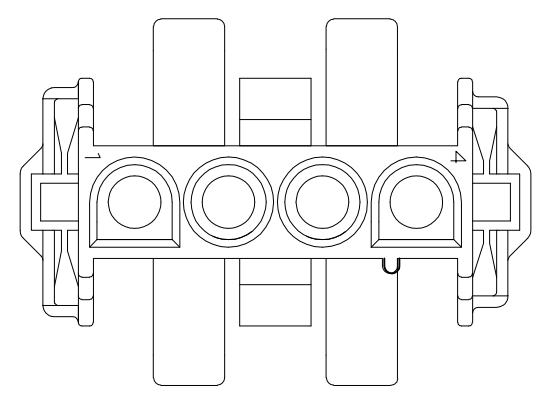
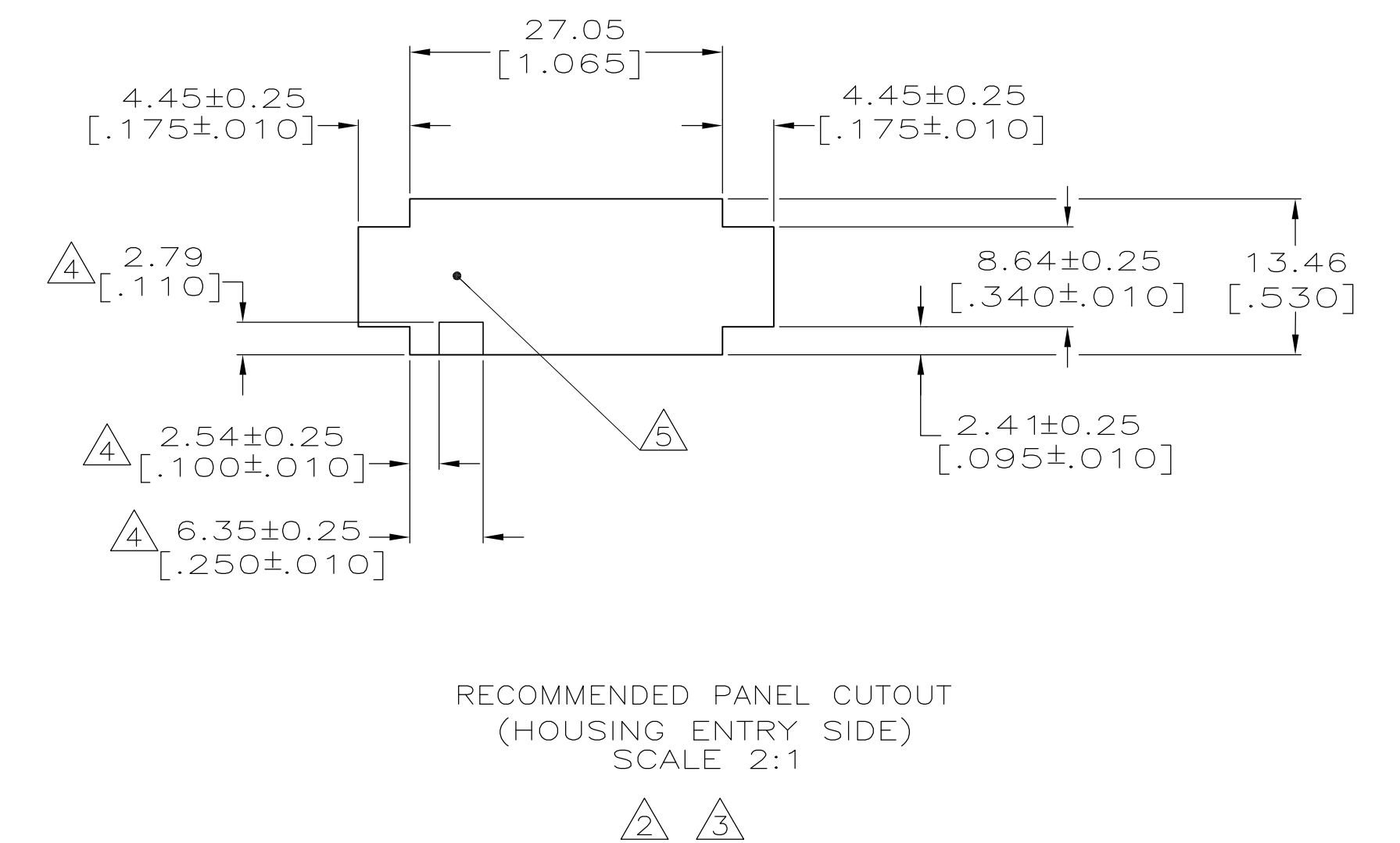


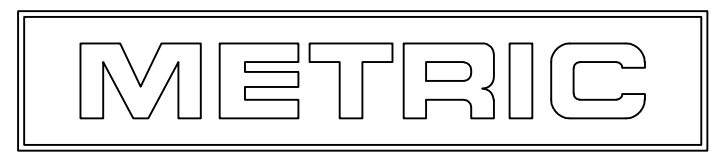
REVISIONS					
P	LTR	DESCRIPTION	DATE	DWN	APVD
F1		UPDATED PER ECO-17-009556	03JUL2017	RS	SW



1. BULK PACKAGED, UNASSEMBLED.
2. RECOMMENDED PANEL THICKNESS 0.76–2.29 [.030–.090].
3. PANEL MUST BE PUNCHED SO THAT THE HOUSING ENTERS THE PANEL IN THE SAME DIRECTION AS THE PUNCH.
4. OPTIONAL FOR KEYING HOUSING IN PANEL.
5. CIRCUIT NO. 1 LOCATON.
6. APPROVAL AGENCY LOGO LOCATED APPROXIMATELY AS SHOWN.
7. AMP LOGO LOCATED THIS SURFACE.
8. CIRCUIT NUMBER ONE IDENTIFICATION BUTTON AND CIRCUIT IDENTIFICATION NUMBERS ARE EACH LOCATED ADJACENT TO THE APPROPRIATE CIRCUIT CAVITIES.
9. DIMENSIONS SHOWN REPRESENT PRODUCT IN DRY, AS MOLDED CONDITION. ADDITIONAL 2% GROWTH DUE TO SUBSEQUENT MOISTURE ABSORPTION MAY OCCUR AND SHOULD BE ACCOUNTED FOR



VIEW A-A
 SCALE 2:1



770026-1
 PART NUMBER

THIS DRAWING IS A CONTROLLED DOCUMENT.		DWN: K. SALMON 1-22-92	TE Connectivity
DIMENSIONS: INCHES		CHK: R. SWING 1-22-92	
TOLERANCES UNLESS OTHERWISE SPECIFIED:		APVD: -	NAME: CAP HOUSING KIT, 4 CIRCUIT, IN-LINE, UNIVERSAL MATE-N-LOK
0 PLC ± -	PRODUCT SPEC	SIZE: A1	CAGE CODE: 770026
1 PLC ± -	APPLICATION SPEC	WEIGHT: 0.000000	DRAWING NO: 770026
2 PLC ± -		CUSTOMER DRAWING	SCALE: 5:1
3 PLC ± 0.13 [.005]			SHEET 1 OF 1
4 PLC ± -			REV F1
ANGLES ± -			
FINISH -			