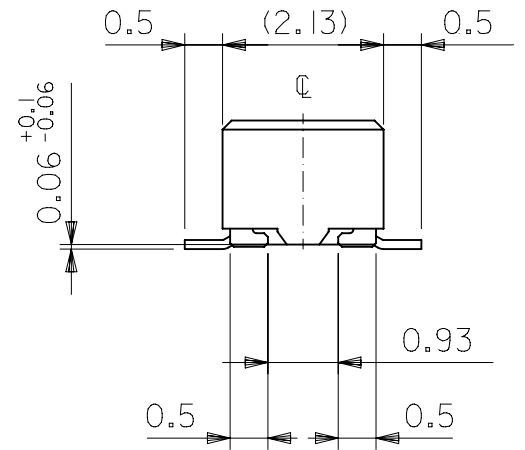
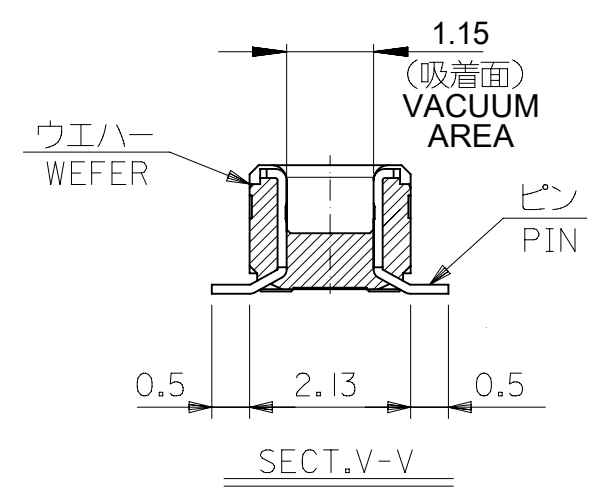


注記 NOTES:

- 使用材料 MATERIAL
 ウエハー: 液晶ポリマー (LCP) ガラス充填 UL94V-0 (黒)
 WAFER: LIQUID CRYSTAL POLYMER (GLASS FILLED)
 UL94V-0 (COLOR:BLACK)
 ピン: 黄銅 (t=0.12)
 PIN: BRASS (t=0.12)
 金具: リン青銅 (t=0.2)
 FITTING NAIL: PHOSPHOR BRONZE (t=0.2)
- メッキ仕様 PLATING
 ピン PIN
 金メッキ 0.2 マイクロメートル以上 (コンタクト部)
 GOLD 0.2MICROMETER MINIMUM (CONTACT AREA)
 金メッキ 0.4 マイクロメートル以下 (テール部)
 GOLD 0.4MICROMETER MAXIMUM (TAIL AREA)
 下地メッキ: ニッケルメッキ 1.5 マイクロメートル以上
 UNDER PLATING: NICKEL 1.5MICROMETER MINIMUM
 金具 FITTING NAIL
 錫メッキ 1.0 マイクロメートル以上
 TIN PLATING 1.0MICROMETER MINIMUM
 下地メッキ: ニッケルメッキ 1.0 マイクロメートル以上
 UNDER PLATING: NICKEL 1.0MICROMETER MINIMUM



- (全極数/2) = 偶数の場合に適用。
 APPLY FOR (CIRCUIT/2)=EVEN.
- 嵌合相手: 51338シリーズ (嵌合高さ = 2.0mm) 及び
 500913シリーズ (嵌合高さ = 2.3mm)
 MATE WITH: 51338 SERIES (HEIGHT = 2.0mm) AND
 500913 SERIES (HEIGHT = 2.3mm)
- テール平坦度は、0.08以下
 テール及び金具の平坦度は、0.1以下
 TAIL COPLANARITY TO BE 0.08MAXIMUM
 TAIL AND FITTING NAIL
 COPLANARITY TO BE 0.1MAXIMUM
- ELV 及び RoHS 適合品
 ELV AND RoHS COMPLIANT.



17.2	15.6	18.0	501745-0801	80
15.2	13.6	16.0	501745-0701	70
13.2	11.6	14.0	501745-0601	60
12.0	10.4	12.8	501745-0541	54
11.2	9.6	12.0	501745-0501	50
9.2	7.6	10.0	501745-0401	40
7.2	5.6	8.0	501745-0301	30
3.6	2.0	4.4	501745-9901	12
C	B	A	EMBOSSED PACKAGE	CKT.
			ORDER NO. オーダー番号	
			CONNECTOR SERIES No.	501745-***0

GENERAL TOLERANCES (UNLESS SPECIFIED)

10 UNDER	±0.2
10 OVER 30 UNDER	±0.25
30 OVER	±0.3

THIS DRAWING CONTAINS INFORMATION THAT IS PROPRIETARY TO MOLEX ELECTRONIC TECHNOLOGIES, LLC AND SHOULD NOT BE USED WITHOUT WRITTEN PERMISSION

mm NTS SCALE

GENERAL TOLERANCES (UNLESS SPECIFIED)

ANGULAR TOL ± 3.0°

4 PLACES ±

3 PLACES ±

2 PLACES ±

1 PLACE ±

0 PLACES ±

DRAFT WHERE APPLICABLE MUST REMAIN WITHIN DIMENSIONS

THIRD ANGLE PROJECTION

DRAWING A3-SIZE

SERIES 501745

MATERIAL NUMBER SEE TABLE

CUSTOMER GENERAL MARKET

SHEET NUMBER 1 OF 2

EC NO: 739909

DRWN: RAJMOK 2023/02/21

CHK'D: HSHIMUYAMA 2023/02/23

APPR: YNAITO 2023/02/23

INITIAL REVISION:

DRWN: KSAITO01 2007/03/06

APPR: NUKITA 2007/03/06

DOCUMENT NUMBER SD-501745-001

DOC TYPE PSD

DOC PART 001

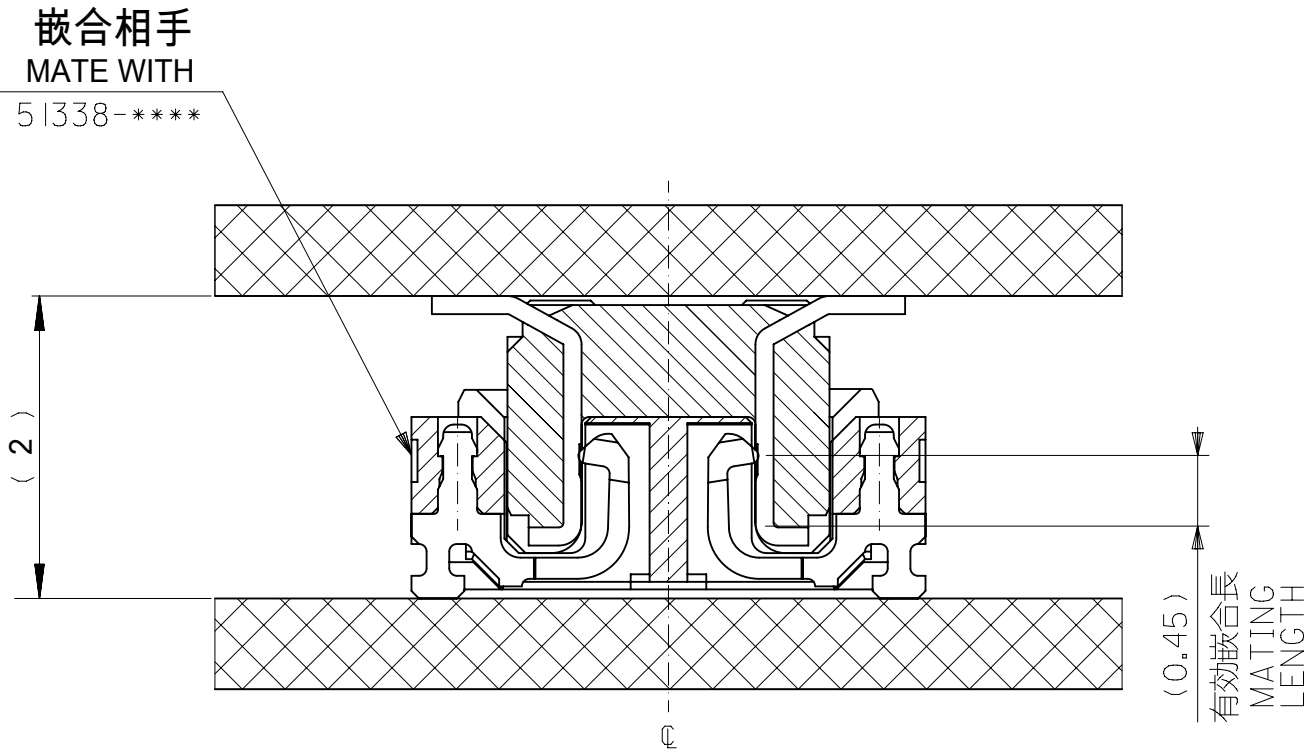
REVISION J

molex

0.4 B-TO-B CONN. H = 2.0 / 2.3 J-BEND PLUG

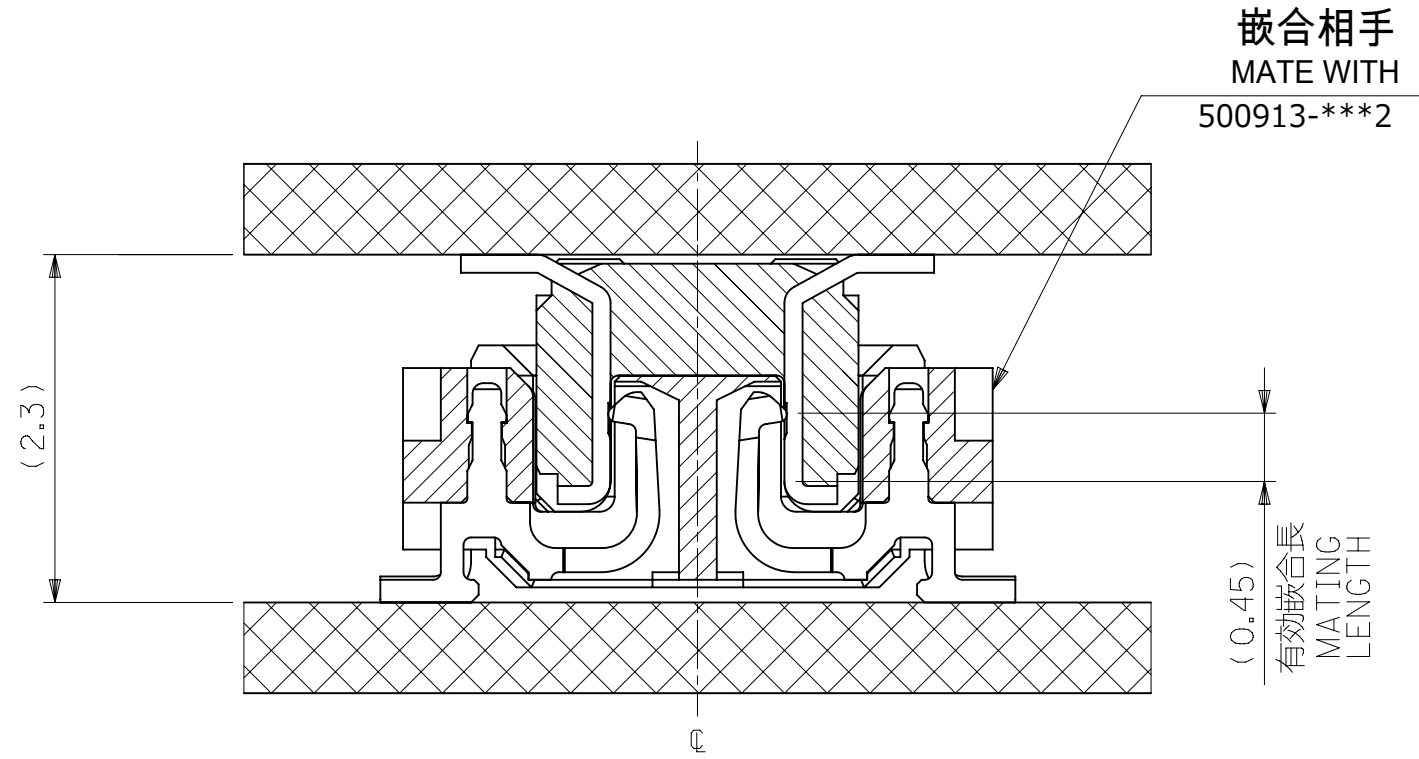
PRODUCT CUSTOMER DRAWING

MATE : 501745 WITH 51338

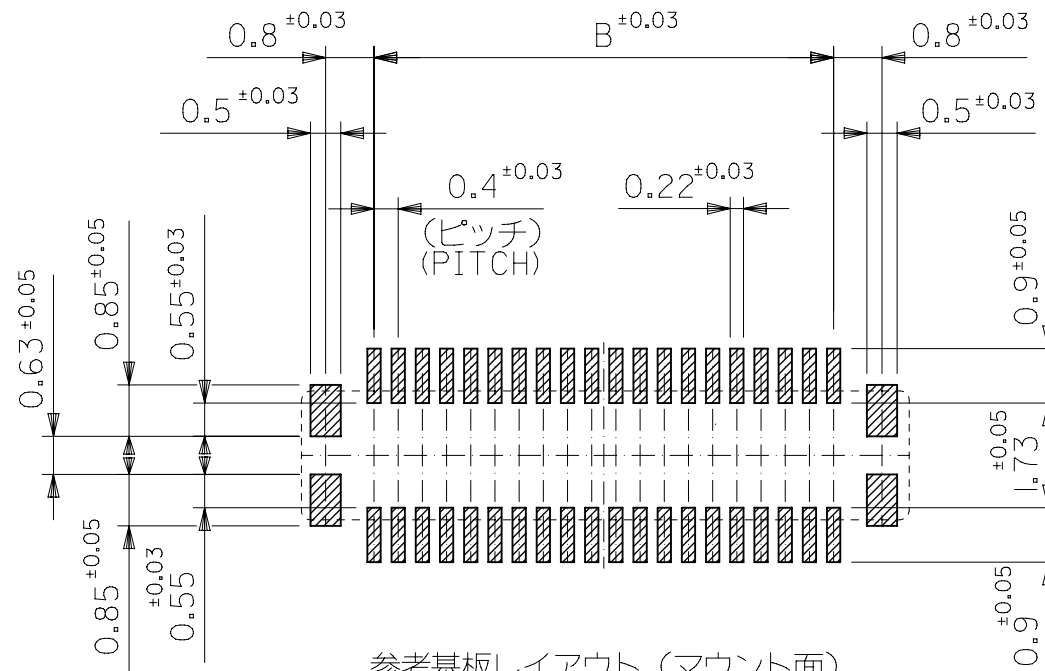


嵌合断面図 (参考)
MATED DRAWING (REFERENCE)

MATE : 501745 WITH 500913



嵌合断面図 (参考)
MATED DRAWING (REFERENCE)



参考基板レイアウト (マウント面)
P.C.BOARD PATTERN DIMENSION.
(REFERENCE)
(MOUNTING AREA)

GENERAL TOLERANCES (UNLESS SPECIFIED)	
10 ^{UNDER}	±0.2
10 ^{OVER} 30 ^{UNDER}	±0.25
30 ^{OVER}	±0.3

THIS DRAWING CONTAINS INFORMATION THAT IS PROPRIETARY TO MOLEX ELECTRONIC TECHNOLOGIES, LLC AND SHOULD NOT BE USED WITHOUT WRITTEN PERMISSION		CONNECTOR SERIES No. 501745-***0	
DIMENSION UNITS	SCALE	CURRENT REV DESC:	
mm	NTS		
GENERAL TOLERANCES (UNLESS SPECIFIED)		EC NO: 739909	
ANGULAR TOL ± 3.0°		DRWN: RAJMOK 2023/02/21	
4 PLACES ±		CHK'D: HSHIMYAMA 2023/02/23	
3 PLACES ±		APPR: YNAITO 2023/02/23	
2 PLACES ±		INITIAL REVISION:	
1 PLACE ±		DRWN: KSAITO01 2007/03/06	
0 PLACES ±		APPR: NUKITA 2007/03/06	
DRAFT WHERE APPLICABLE MUST REMAIN WITHIN DIMENSIONS		THIRD ANGLE PROJECTION	DRAWING
			A3-SIZE
		SERIES	MATERIAL NUMBER
		501745	SEE SHEET-1
		CUSTOMER	SHEET NUMBER
		GENERAL MARKET	2 OF 2

molex

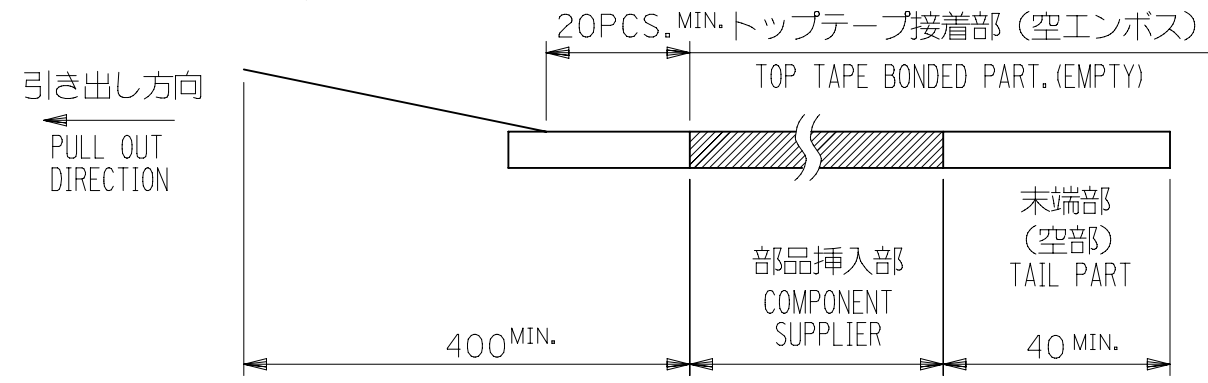
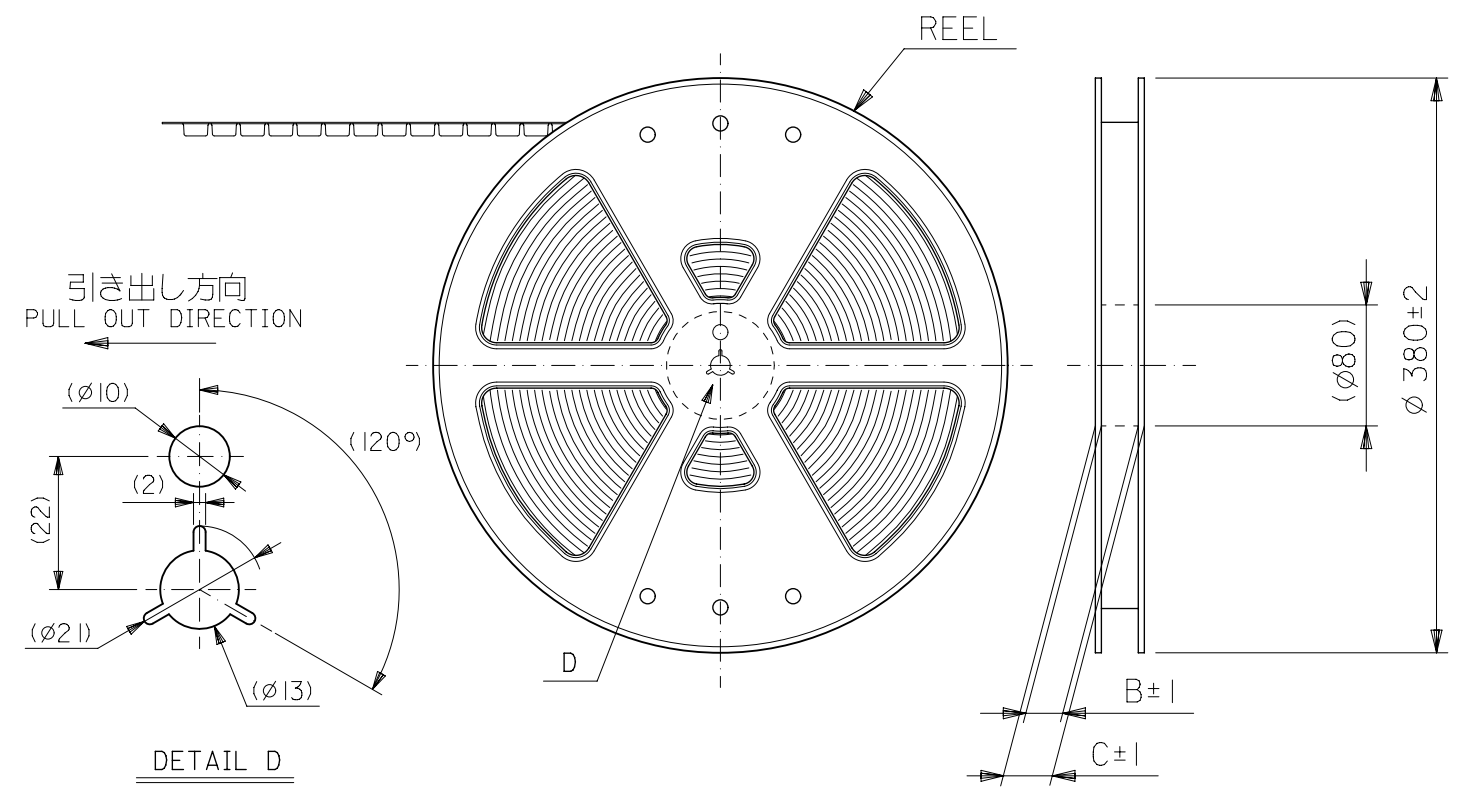
0.4 B-TO-B CONN. H = 2.0 / 2.3
J-BEND PLUG

PRODUCT CUSTOMER DRAWING

DOCUMENT NUMBER	DOC TYPE	DOC PART	REVISION
SD-501745-001	PSD	001	J

NOTES

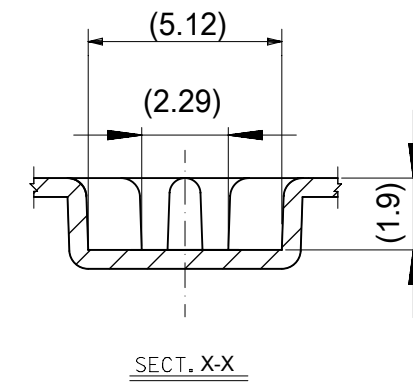
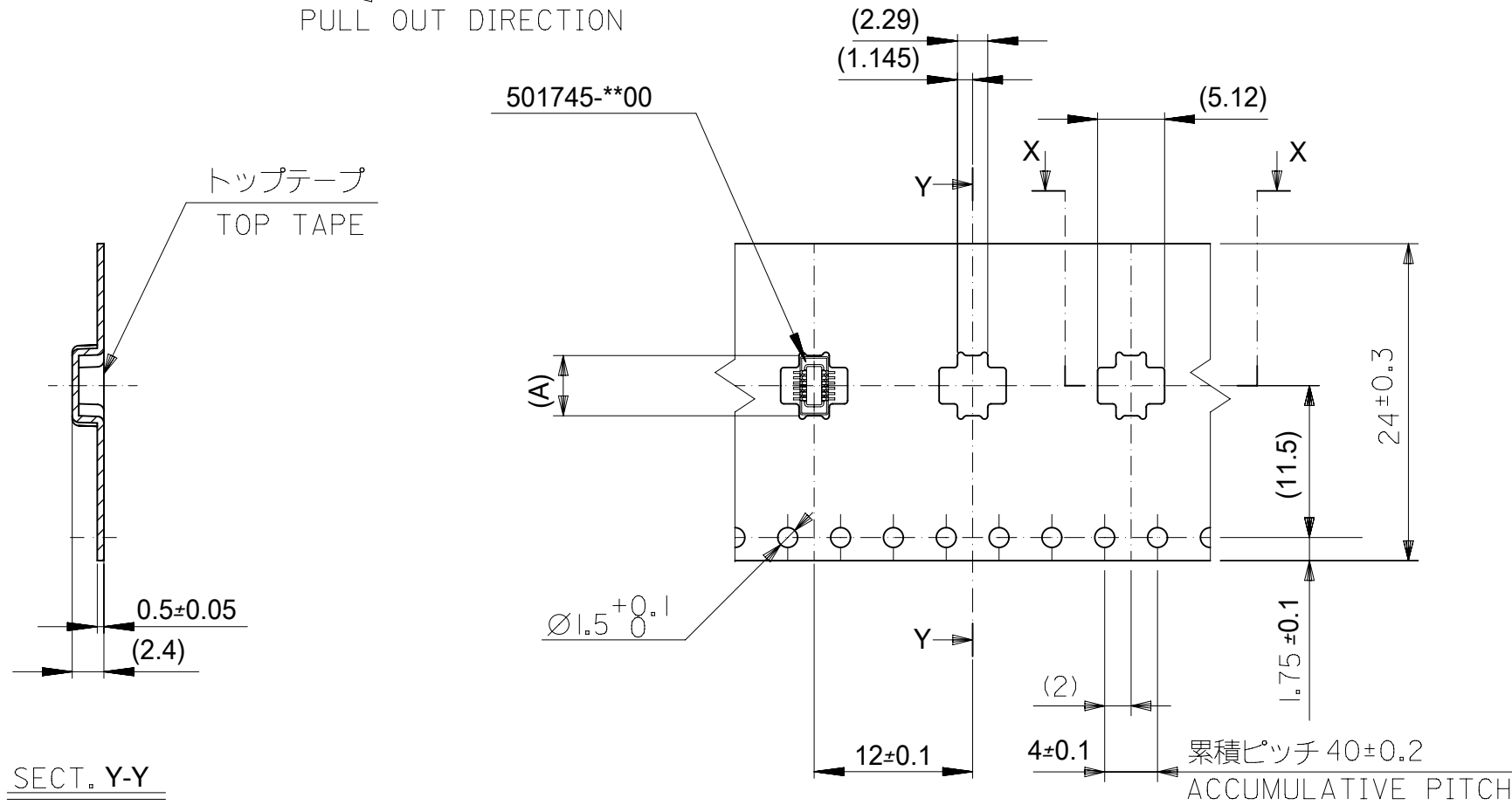
- 製品詳細寸法については製品単体図面を参照下さい。
DETAIL DIMENSIONS, SEE PRODUCT DRAWING.
- 梱包数量：2500個/リール
NUMBER OF CONNECTORS : 2500PCS/REEL
- リードテープ長さ LEAD TAPE LENGTH



- 材料 MATERIAL
 キャリアテープ (CARRIER TAPE) : ポリスチレン (POLYSTYRENE)
 トップテープ (TOP TAPE) : PET
 リール (REEL) : ポリスチレン (PS) <リサイクル材を含む>
 POLYSTYRENE (PS) <RECYCLE MATERIAL CONTAINED>
- ELV 及び RoHS 適合品
 ELV AND RoHS COMPLIANT.

DIMENSION UNITS mm		SCALE NTS		CURRENT REV DESC:			
GENERAL TOLERANCES (UNLESS SPECIFIED)		EC NO: 638555 DRWN: BKBAE CHK'D: SHCHU APPR: SHCHU		2020/05/15 2020/05/29 2020/06/01			
10 ^{UNDER}		±0.2		INITIAL REVISION:		PRODUCT CUSTOMER DRAWING	
10 ^{OVER} 30 ^{UNDER}		±0.25		DRWN: K.SAITO APPR: N.UKITA		DOCUMENT NUMBER SD-501745-002	
30 ^{OVER}		±0.3		2007/03/01 2007/03/01		DOC TYPE DOC PART REVISION PSD 001 F	
DRAFT WHERE APPLICABLE MUST REMAIN WITHIN DIMENSIONS		THIRD ANGLE PROJECTION		DRAWING A3-SIZE		MATERIAL NUMBER 501745	
				SERIES 501745		CUSTOMER GENERAL MARKET	
						SHEET NUMBER 1 OF 4	

引き出し方向
PULL OUT DIRECTION



注記)製品がポケット内に問題なく収まること。
NOTE. Pocket should contain product smoothly.

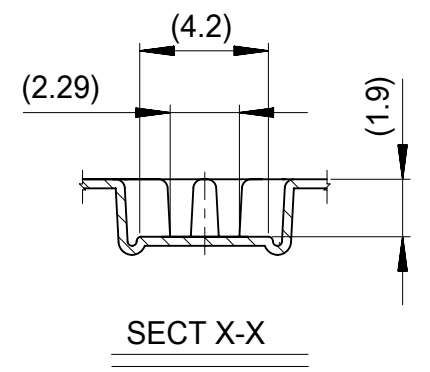
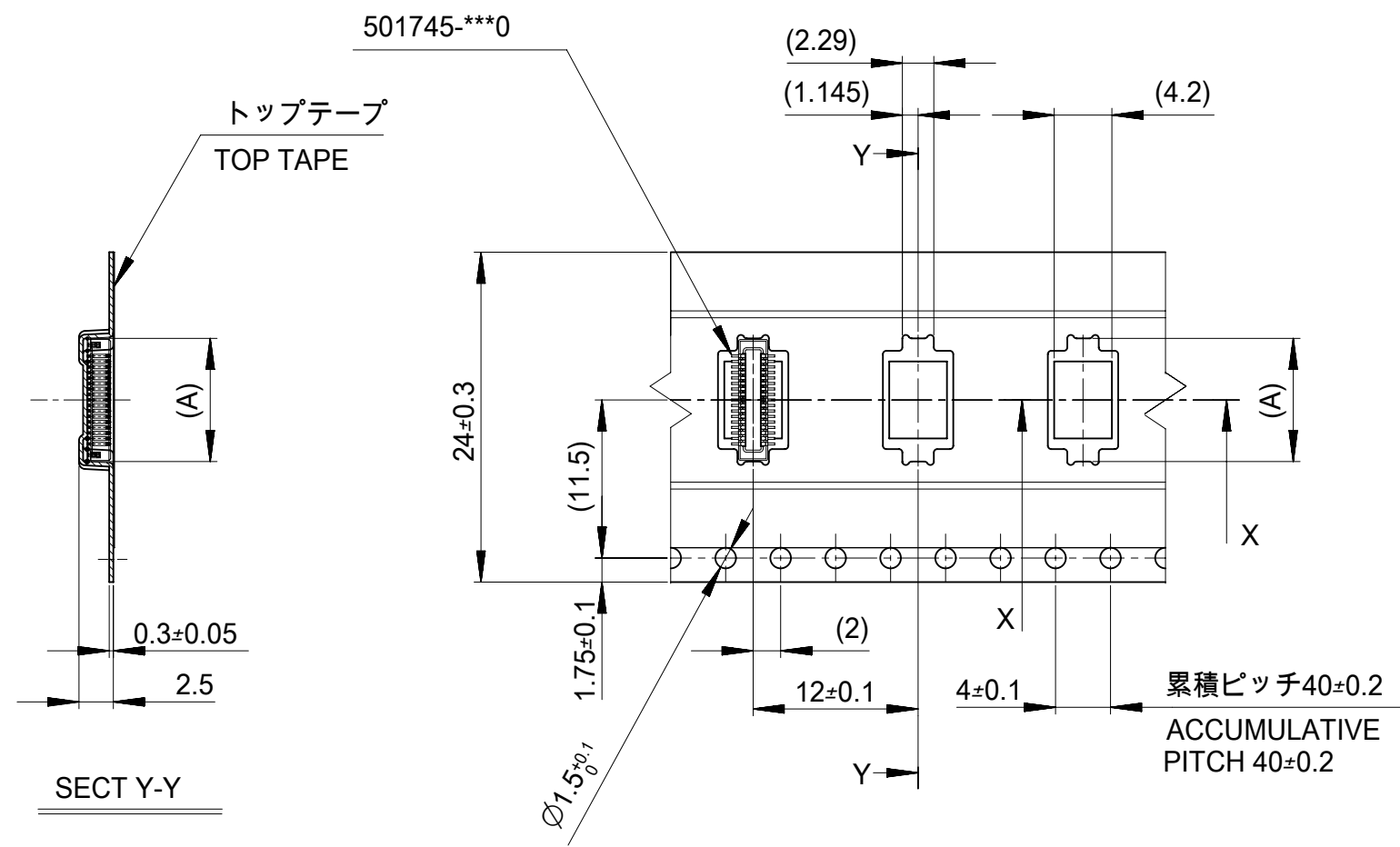
24	29.4	25.4	4.56	501745-9901	12
キャリアテープ幅 CARRIER TAPE WIDTH	C	B	(A)	オーダー番号 ORDER NO.	極数 CKT.
CONNECTOR SERIES No.				501745-***0	

THIS DRAWING CONTAINS INFORMATION THAT IS PROPRIETARY TO MOLEX ELECTRONIC TECHNOLOGIES, LLC AND SHOULD NOT BE USED WITHOUT WRITTEN PERMISSION

DIMENSION UNITS	SCALE	CURRENT REV DESC:			
mm	NTS	molex 0.4 B-TO-B CONN. H = 2.0 / 2.3 J-BEND PLUG PRODUCT CUSTOMER DRAWING			
GENERAL TOLERANCES (UNLESS SPECIFIED)					
4 PLACES	±				
3 PLACES	±				
2 PLACES	±				
1 PLACE	±	EC NO: 638555	2020/05/15	DOCUMENT NUMBER	
0 PLACES	±	DRWN: BKBAE	2020/05/29	SD-501745-002	
ANGULAR TOL ± 3.0°		CHK'D: SHCHU	2020/06/01	DOC TYPE	DOC PART
DRAFT WHERE APPLICABLE MUST REMAIN WITHIN DIMENSIONS		APPR: SHCHU	2020/06/01	001	F
THIRD ANGLE PROJECTION		INITIAL REVISION:	2007/03/01	REVISION	
DRAWING		DRWN: K.SAITO	2007/03/01	2 OF 4	
SERIES		APPR: N.UKITA	2007/03/01	SHEET NUMBER	
A3-SIZE		501745	MATERIAL NUMBER	CUSTOMER	
SEE CHART		GENERAL MARKET			

GENERAL TOLERANCES (UNLESS SPECIFIED)		
10 ^{UNDER}		±0.2
10 ^{OVER}	30 ^{UNDER}	±0.25
30 ^{OVER}		±0.3

引き出し方向
PULL OUT
DIRECTION



24	29.4	25.4	14.16	501745-0601	60
			12.96	501745-0541	54
			12.16	501745-0501	50
			10.16	501745-0401	40
			8.16	501745-0301	30
キャリアテープ幅 CARRIER TAPE WIDTH			C	B	(A)
			オーダー番号 ORDER NO.	極数 CKT.	

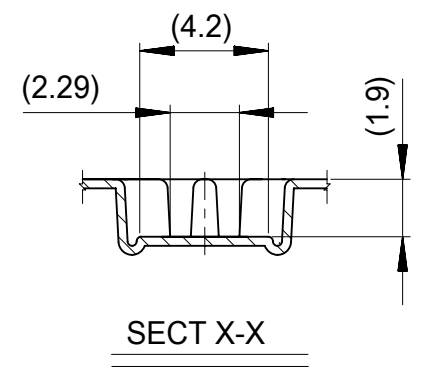
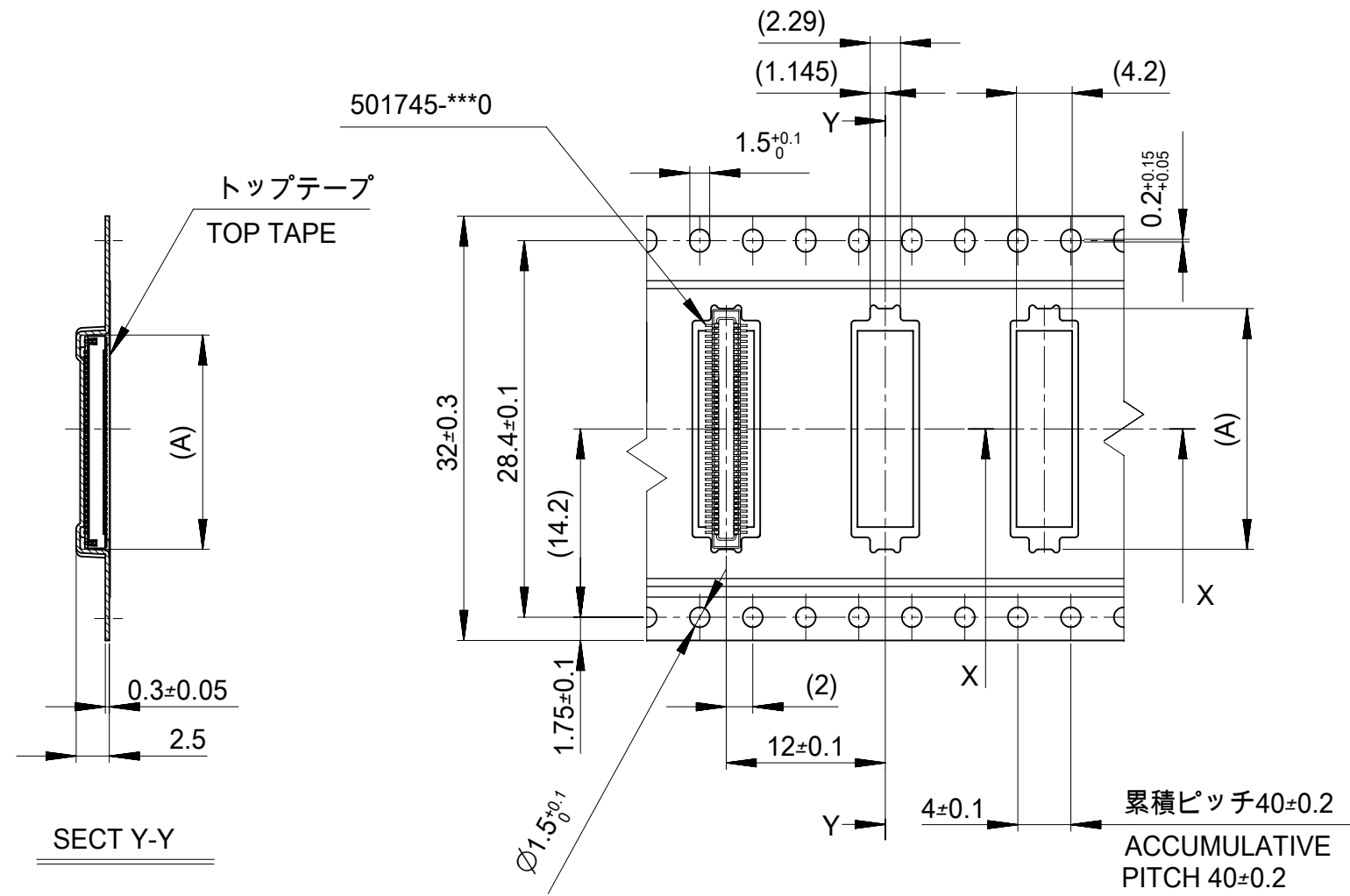
CONNECTOR SERIES No. 501745-***0

THIS DRAWING CONTAINS INFORMATION THAT IS PROPRIETARY TO MOLEX ELECTRONIC TECHNOLOGIES, LLC AND SHOULD NOT BE USED WITHOUT WRITTEN PERMISSION

DIMENSION UNITS	SCALE	CURRENT REV DESC:	molex		
mm	NTS		0.4 B-TO-B CONN. H = 2.0 / 2.3 J-BEND PLUG		
GENERAL TOLERANCES (UNLESS SPECIFIED)		EC NO: 638555	PRODUCT CUSTOMER DRAWING		
4 PLACES	±	DRWN: BKBAE	2020/05/15	DOCUMENT NUMBER	DOC TYPE
3 PLACES	±	CHK'D: SHCHU	2020/05/29	SD-501745-002	PSD
2 PLACES	±	APPR: SHCHU	2020/06/01	DOC PART	001
1 PLACE	±	INITIAL REVISION:	2007/03/01	REVISION	F
0 PLACES	±	DRWN: K.SAITO	2007/03/01		
ANGULAR TOL ± 3.0°		APPR: N.UKITA			
DRAFT WHERE APPLICABLE MUST REMAIN WITHIN DIMENSIONS		THIRD ANGLE PROJECTION	DRAWING	SERIES	MATERIAL NUMBER
			A3-SIZE	501745	SEE CHART
			CUSTOMER	GENERAL MARKET	
					SHEET NUMBER
					3 OF 4

GENERAL TOLERANCES (UNLESS SPECIFIED)		
10 ^{UNDER}		±0.2
10 ^{OVER}	30 ^{UNDER}	±0.25
30 ^{OVER}		±0.3

引き出し方向
PULL OUT
DIRECTION



SECT Y-Y

累積ピッチ40±0.2
ACCUMULATIVE
PITCH 40±0.2

32	37.4	33.4	18.16	501745-0801	80
			16.16	501745-0701	70
キャリアテープ幅 CARRIER TAPE WIDTH		C	B	(A)	極数 CKT.
CONNECTOR SERIES No.					501745-***0
オーダー番号 ORDER NO.					

THIS DRAWING CONTAINS INFORMATION THAT IS PROPRIETARY TO MOLEX ELECTRONIC TECHNOLOGIES, LLC AND SHOULD NOT BE USED WITHOUT WRITTEN PERMISSION

DIMENSION UNITS	SCALE	CURRENT REV DESC:	molex		
mm	NTS	EC NO: 638555	0.4 B-TO-B CONN. H = 2.0 / 2.3 J-BEND PLUG		
GENERAL TOLERANCES (UNLESS SPECIFIED)		DRWN: BKBAE 2020/05/15	PRODUCT CUSTOMER DRAWING		
4 PLACES ±		CHK'D: SHCHU 2020/05/29	DOCUMENT NUMBER		
3 PLACES ±		APPR: SHCHU 2020/06/01	SD-501745-002		
2 PLACES ±		INITIAL REVISION:	DOC TYPE	DOC PART	REVISION
1 PLACE ±		DRWN: K.SAITO 2007/03/01	PSD	001	F
0 PLACES ±		APPR: N.UKITA 2007/03/01	SHEET NUMBER		
ANGULAR TOL ± 3.0°		DRAFT WHERE APPLICABLE MUST REMAIN WITHIN DIMENSIONS	MATERIAL NUMBER	CUSTOMER	
THIRD ANGLE PROJECTION		DRAWING	SERIES	MATERIAL NUMBER	CUSTOMER
A3-SIZE		501745	SEE CHART	GENERAL MARKET	4 OF 4

GENERAL TOLERANCES (UNLESS SPECIFIED)

10 ^{UNDER}	±0.2
10 ^{OVER} 30 ^{UNDER}	±0.25
30 ^{OVER}	±0.3