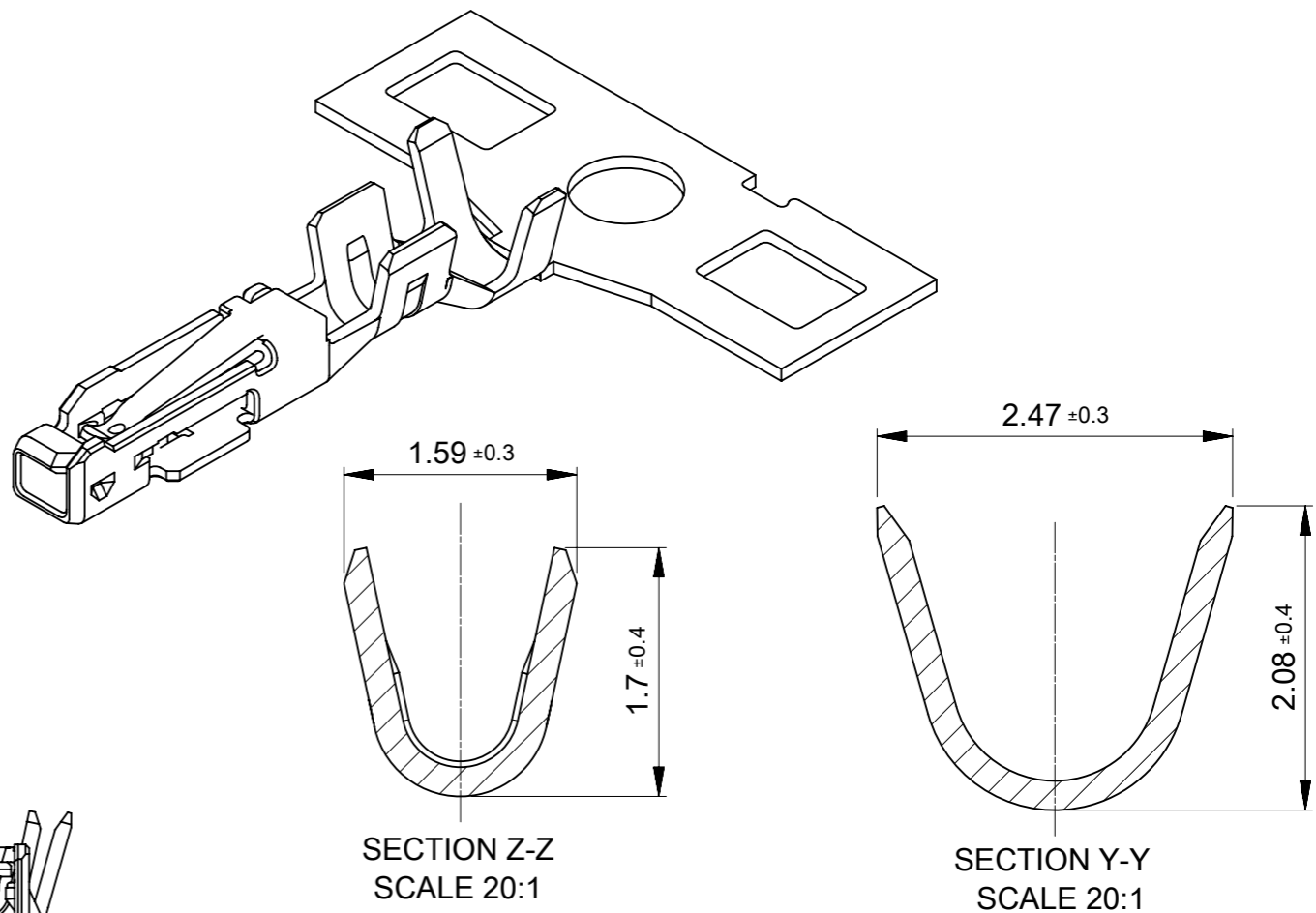
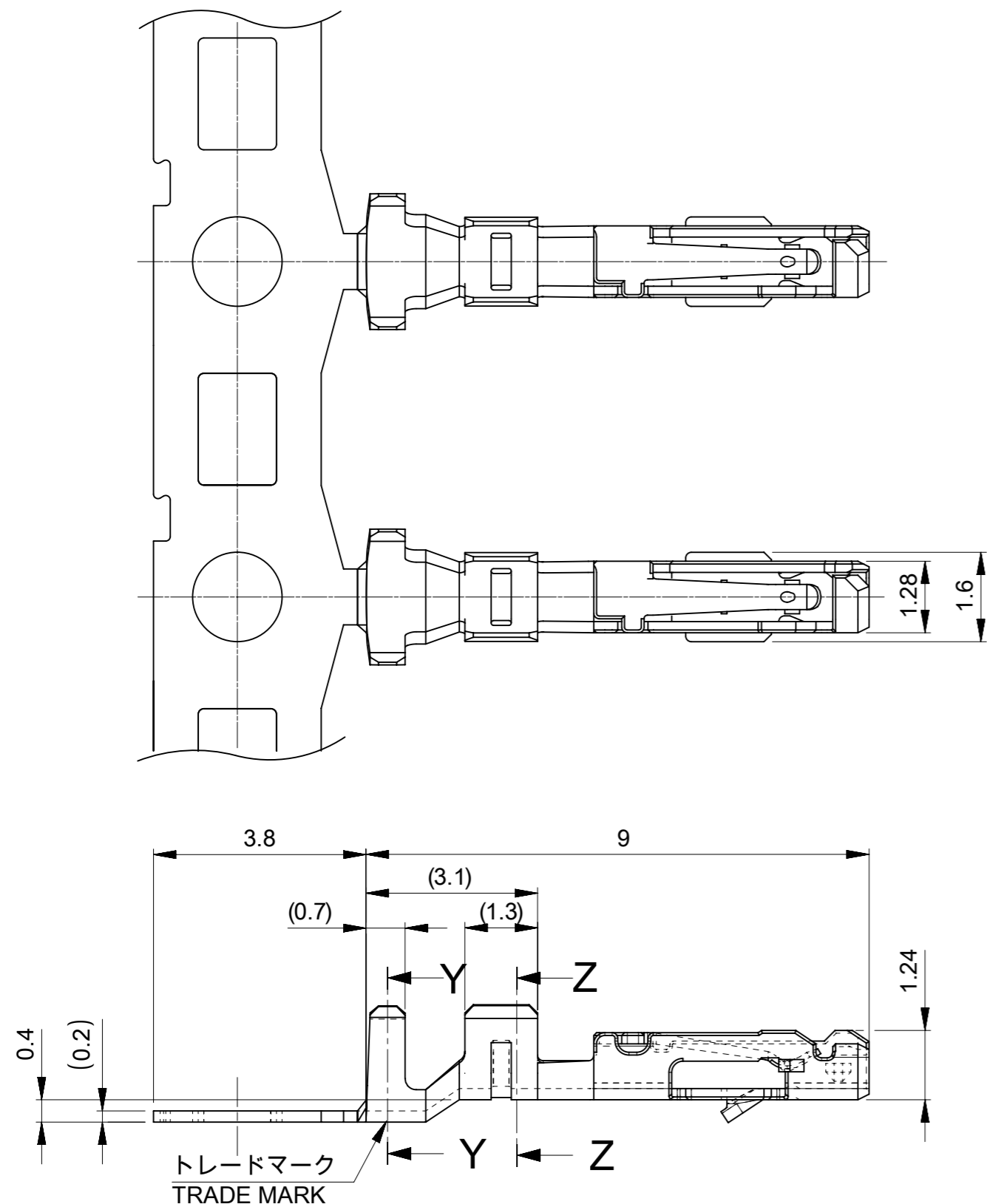


注記
NOTES

1. 材料及び仕上げ(めっき仕様): TABLE1参照
MATERIAL AND FINISHES: SEE TABLE 1.
2. 適合製品及び各種仕様書についてはSHEET2をご参照ください。
PLEASE REFER TO SHEET 2 FOR APPLICABLE PRODUCT AND VARIOUS SPECIFICATIONS.
3. 本製品はケーブルサイズAWG#22-26に適合です。
AWG#26-28に適合する製品は5016480000-SD/PSD/000をご参照ください。
THIS PRODUCT IS APPLICABLE TO AWG#22-26.
FOR PRODUCTS APPLICABLE TO AWG#26-28, PLEASE REFER TO 5016480000-SD/PSD/000.
4. 本製品は錫めっき品です。金めっき製品は5030950000-SD/PSD/000をご参照ください。
THIS PRODUCT IS A TIN PLATING.
PLEASE REFER TO 5030950000-SD/PSD/000 FOR GOLD PLATING PRODUCT.



トレードマーク
TRADE MARK

1 TABLE 1

| | | | | |
|------------------------|---|-------------------|---------------------|--------------|
| Ø0.95-Ø1.5mm | AWG#22-26 0.126~0.34 mm ² | ポリ袋 POLY BAG | 5016471100 | バラ状 LOOSE |
| | | リール REEL | 5016471000 | 連鎖状 CHAIN |
| 絶縁被覆外形範囲 INS, RANGE | 適用電線範囲 WIRE RANGE | 梱包形態 PACKAGING | オーダー番号 ORDER No. | 端子形状 FORM |

| | | | | | | | |
|---|--------|------------------------------|---------|---|-----------------|----------|--------------|
| THIS DRAWING CONTAINS INFORMATION THAT IS PROPRIETARY TO MOLEX ELECTRONIC TECHNOLOGIES, LLC AND SHOULD NOT BE USED WITHOUT WRITTEN PERMISSION | | CURRENT REV DESC: | | molex | | | |
| DIMENSION UNITS | SCALE | EC NO: 672166 | | | | | |
| mm | NTS | DRWN: SNAKAMURA08 2019/05/09 | | IGRID 2.0 WIRE TO BOARD CRIMP TERMINAL TIN PLATING AWG#22-26 | | | |
| GENERAL TOLERANCES (UNLESS SPECIFIED) | | CHK'D: KOMURAKAMI 2021/08/05 | | PRODUCT CUSTOMER DRAWING | | | |
| ANGULAR TOL | ± 1.0° | APPR: AIDA 2021/08/05 | | DOCUMENT NUMBER | | | |
| 4 PLACES | ± 0.2 | INITIAL REVISION: | | DOC TYPE | | | |
| 3 PLACES | ± 0.2 | DRWN: SNAKAMURA08 2019/05/09 | | DOC PART | | | |
| 2 PLACES | ± 0.2 | APPR: AIDA 2021/08/05 | | REVISION | | | |
| 1 PLACE | ± 0.2 | DRWN: SNAKAMURA08 2019/05/09 | | 5016470000-SD | | | |
| 0 PLACES | ± 0.2 | APPR: AIDA 2021/08/05 | | PSD 000 A | | | |
| DRAFT WHERE APPLICABLE MUST REMAIN WITHIN DIMENSIONS | | THIRD ANGLE PROJECTION | DRAWING | SERIES | MATERIAL NUMBER | CUSTOMER | SHEET NUMBER |
| | | | A3-SIZE | 501647 | SEE TABLE | GENERAL | 1 OF 2 |

| | | |
|-------------------|----------------|--|
| 部品 PART | | |
| ターミナル TERMINAL | 材質 MATERIAL | 銅合金 COPPER ALLOY |
| | めっき PLATING | 錫めっき : 0.7 micro-meters MIN リフロー処理(前めっき) REFLOW TREATMENT (PRE-PLATING) |
| DOCUMENT STATUS | P1 | RELEASE DATE 2021/08/05 04:16:46 |

△₂ 適合製品及び各種仕様書

APPLICABLE PRODUCTS AND VARIOUS SPECIFICATIONS

| | | |
|-----------------------------------|--|--------------------------------|
| VARIOUS SPECIFICATIONS | 仕様書番号 SPECIFICATION NUMBER | |
| 製品仕様書 PRODUCT SPECIFICATION | PS-501646-001 | |
| 取扱説明書 APPLICABLE SPECIFICATION | 5016460000/PS/-A00(JAPANESE)/-A01(ENGLISH) | |
| 梱包仕様書 PACKING SPECIFICATION | 5016479200/PS/200 | |
| 適合ハウジング APPLICABLE HOUSING | リセプタクルハウジング RECEPTACLE HOUSING | |
| シリーズ番号 SERIES No. | 501646 SERIES | |
| 適合嵌合相手 MATE WITH | プラグアッセンブリ PLUG ASSEMBLY | |
| | バーティカルタイプ VERTICAL TYPE | ライトアングルタイプ RIGHT ANGLE TYPE |
| シリーズ番号 SERIES No. | 501645 SERIES | 501876 SERIES |

製品嵌合図は各"適合嵌合相手"図面参照のこと
MATING VIEW: REFER TO EACH "MATE WITH" PART DRAWING

| | | | | | | | | | |
|---|------------------------|------------------------------|--------|-----------------|----------|--------------|---|--|--|
| THIS DRAWING CONTAINS INFORMATION THAT IS PROPRIETARY TO MOLEX ELECTRONIC TECHNOLOGIES, LLC AND SHOULD NOT BE USED WITHOUT WRITTEN PERMISSION | | | | | | | | | |
| DIMENSION UNITS | SCALE | CURRENT REV DESC: | | | | | molex | | |
| mm | NTS | | | | | | | | |
| GENERAL TOLERANCES (UNLESS SPECIFIED) | | EC NO: 672166 | | | | | IGRID 2.0 WIRE TO BOARD CRIMP TERMINAL TIN PLATING AWG#22-26 | | |
| ANGULAR TOL | ± 1.0 ° | DRWN: SNAKAMURA08 2019/05/09 | | | | | | | |
| 4 PLACES | ± 0.2 | CHK'D: KOMURAKAMI 2021/08/05 | | | | | PRODUCT CUSTOMER DRAWING | | |
| 3 PLACES | ± 0.2 | APPR: AIDA 2021/08/05 | | | | | | | |
| 2 PLACES | ± 0.2 | INITIAL REVISION: | | | | | DOCUMENT NUMBER | | |
| 1 PLACE | ± 0.2 | DRWN: SNAKAMURA08 2019/05/09 | | | | | | | |
| 0 PLACES | ± 0.2 | APPR: AIDA 2021/08/05 | | | | | PSD 000 A | | |
| DRAFT WHERE APPLICABLE MUST REMAIN WITHIN DIMENSIONS | THIRD ANGLE PROJECTION | DRAWING | SERIES | MATERIAL NUMBER | CUSTOMER | SHEET NUMBER | | | |
| | | A3-SIZE | 501647 | SEE SHEET 1 | GENERAL | 2 OF 2 | | | |