

MATERIAL AND FINISH

Insulator: Polycarbonate or Thermoplastic, black, UL-94V-0 rated.
Solder Terminals: Brass, Tin plated.

ELECTRICAL SPECIFICATIONS:

Rated current: 10A
Rated voltage: 250VAC



Rated current: 15A
Rated voltage: 250VAC

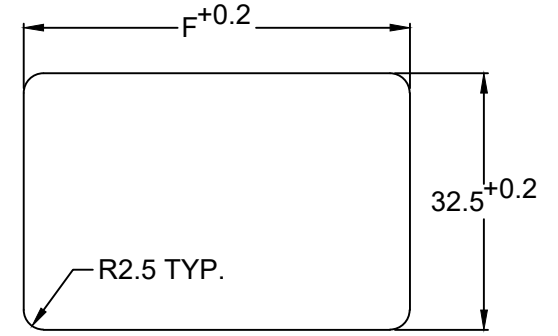
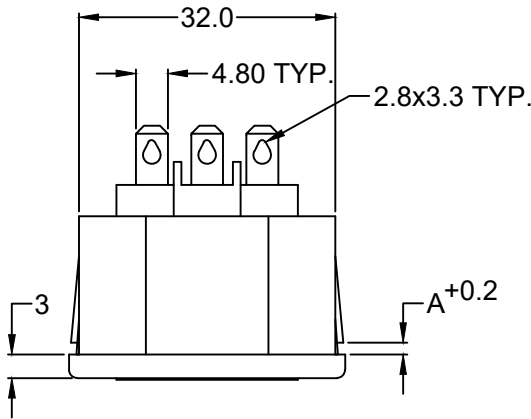


| No of Port | L | E | F |
|------------|-------|-------|-------|
| 2 | 51.2 | 48.0 | 48.3 |
| 3 | 75.4 | 72.0 | 72.2 |
| 4 | 99.6 | 96.0 | 96.2 |
| 5 | 123.2 | 120.0 | 120.3 |
| 6 | 147.2 | 144.0 | 144.4 |
| 7 | 171.2 | 168.0 | 168.4 |

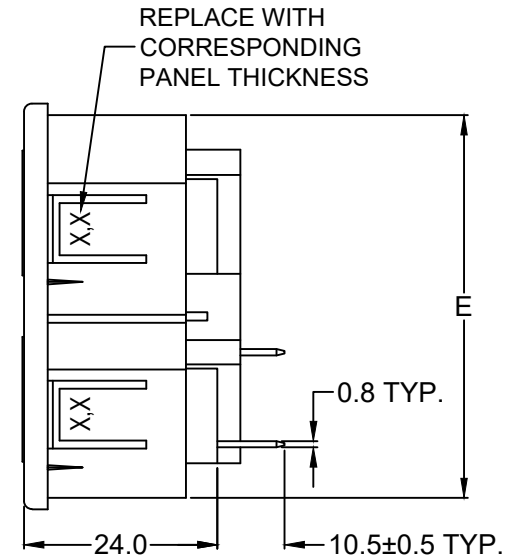
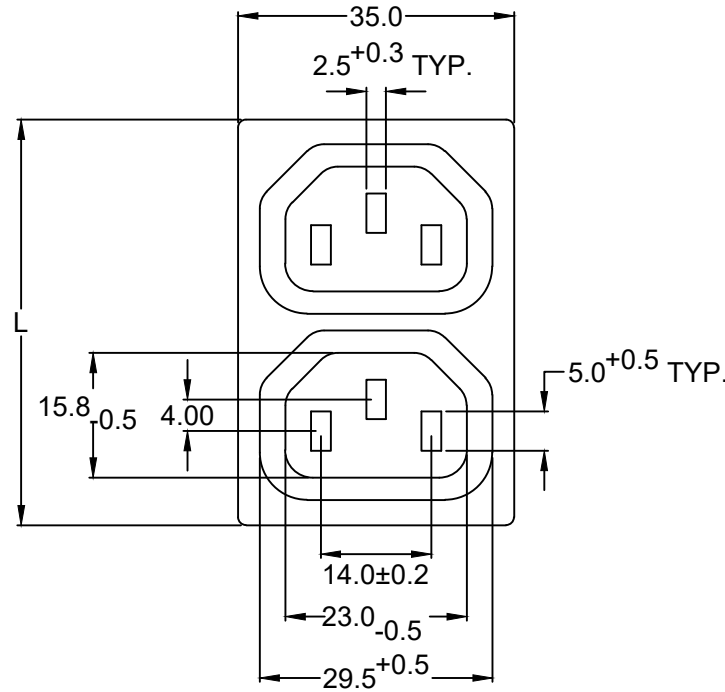
ORDERING CODE:

44R02- 131-
 1 2

- 1) NO OF PORT (SEE CHART ABOVE)
- 2) PANEL THICKNESS



RECOMMENDED
PANEL CUTOUT



RoHS
COMPLIANT

| REV | DATE | CHANGE | CHNG | | | | CHK | | | | APPR | | | | | |
|-----|---------|--------------------------------|------|----|--------|----|-----|----|----|----|------|----|----|----|----|----|
| | | | CHNG | UL | RATING | TO | 20A | PB | TD | PB | PB | TD | PB | PB | DF | PB |
| A | 2/28/03 | CHNG. UL RATING TO 20A | | | | | | | | | | | | | | |
| B | 5/14/04 | REV'D DIM L, E, F | | | | | | | | | | | | | | |
| C | 1/24/05 | CHNG DIM E & F FOR 3 & 4 PORTS | | | | | | | | | | | | | | |
| D | 1/30/08 | ADD 1.0mm PANEL THICKNESS | | | | | | | | | | | | | | |
| E | 6/22/21 | CRUSA CURRENT RATING WAS 20A | | | | | | | | | | | | | | |

| P/N | A | MAX. PANEL THICKNESS |
|----------------|-----|----------------------|
| 44R02-X131-100 | 1.0 | 1.0 |
| 44R02-X131-150 | 1.5 | 1.5 |
| 44R02-X131-250 | 2.5 | 2.5 |

ADDITIONAL PANEL THICKNESS
AVAILABLE ON REQUEST

| TOLERANCE UNLESS OTHERWISE SPECIFIED | |
|---|--------|
| X | ± 1 |
| X.X | ± 0.4 |
| X.XX | ± 0.20 |

| | |
|--------------|---------------|
| DRAWN BY: DT | DATE: 1/15/03 |
| CHECK BY: PB | DATE: 1/15/03 |
| APPR BY: | DATE: |

Power Dynamics, Inc.

Phone: 973 560-0019 Whippany, New Jersey Fax: 973 560-0076

PART: IEC 60320 C13 STRIP APPL. OUTLET;
SNAP-IN, 4.8 Q.C. TERMINAL

| | | |
|------------------------|--|--------------|
| PART #: 44R02-X131-XXX | | SHEET 1 of 1 |
| SIZE: A | ALL DIMENSIONS FOR REFERENCE ONLY DIMENSIONS ARE IN MILLIMETERS | REV: E |
| SCALE: NTS | | |