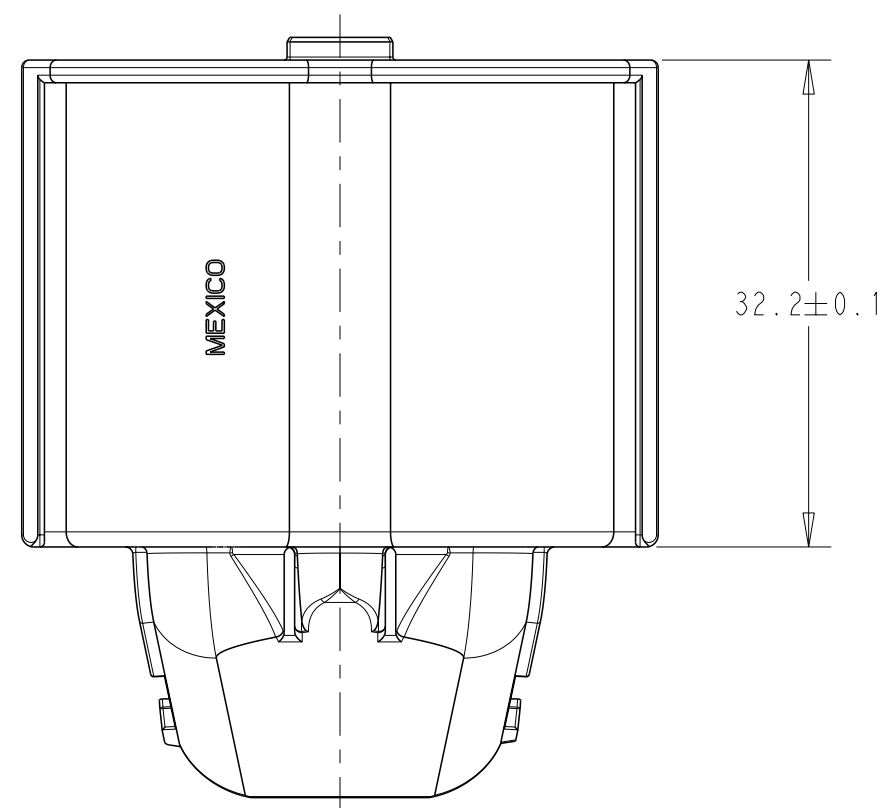
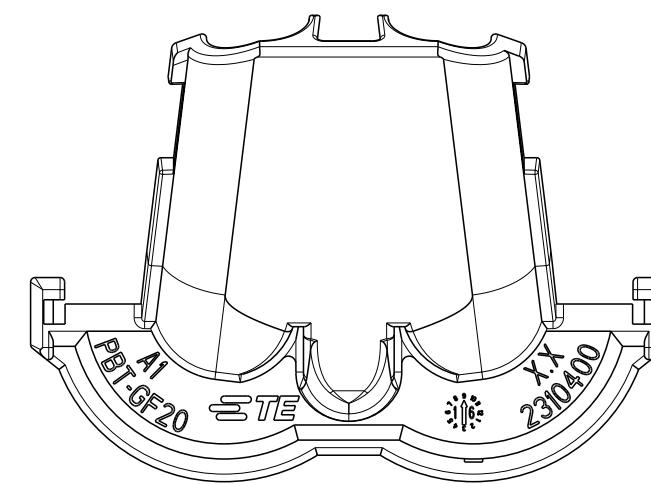
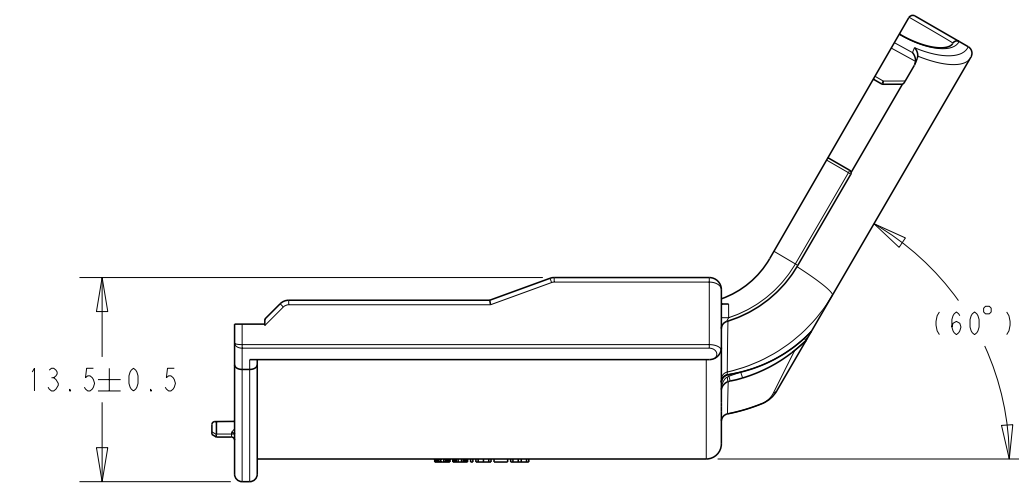
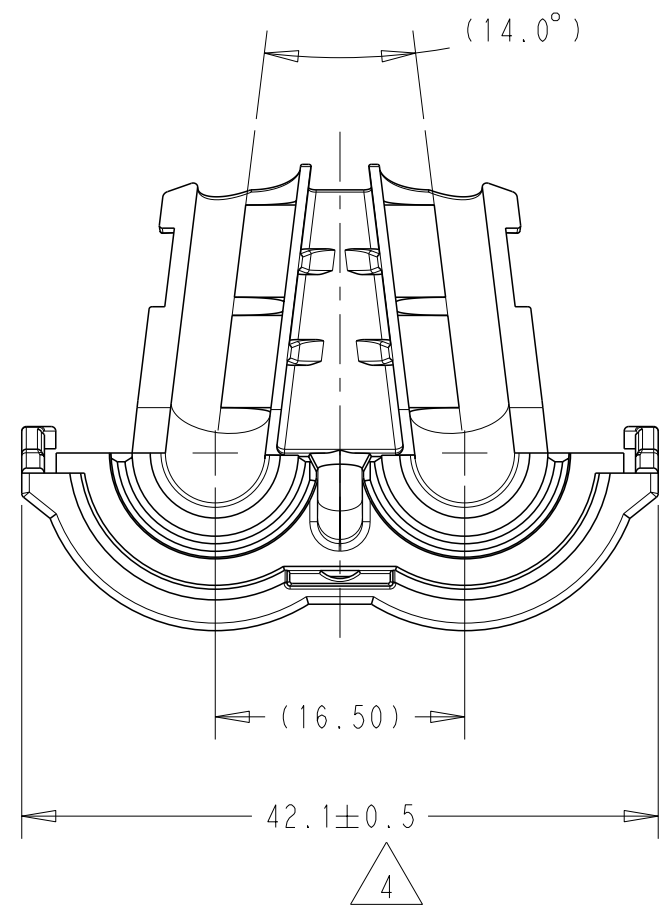
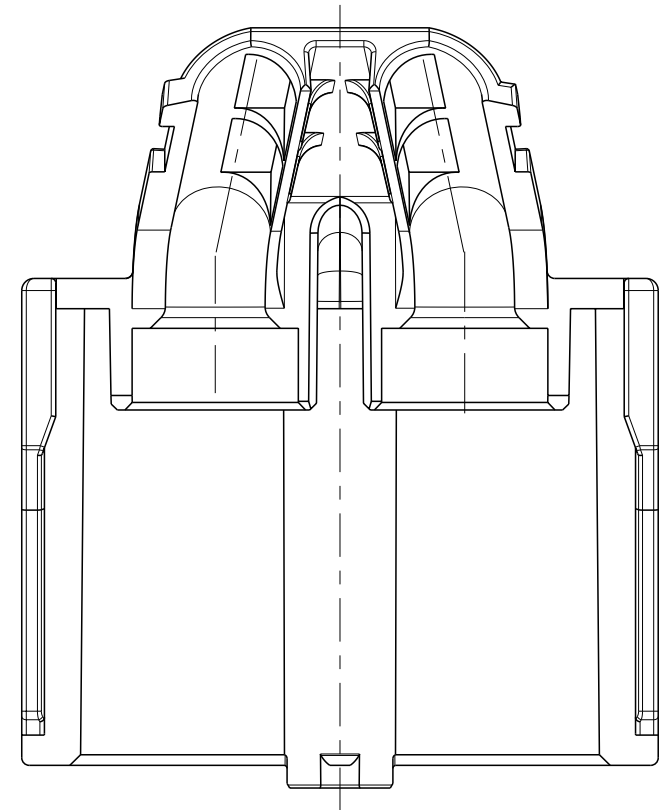
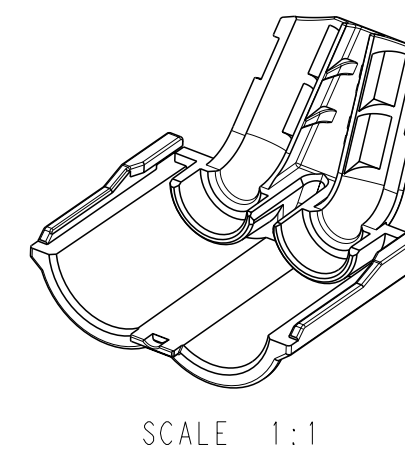
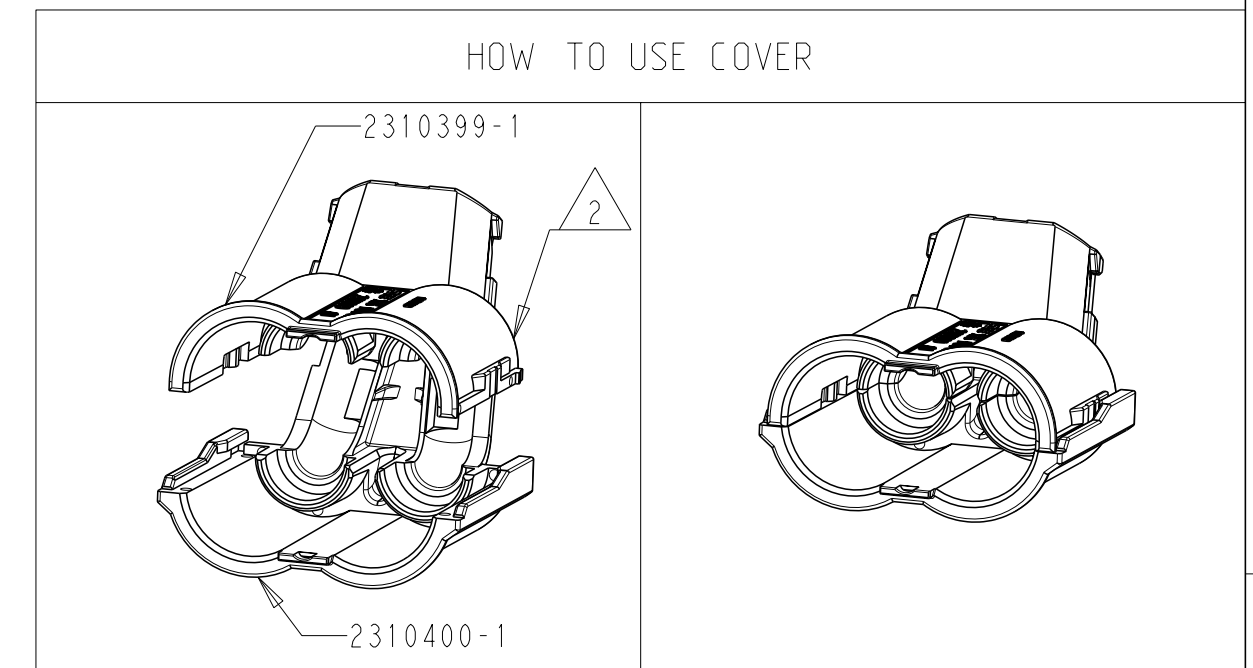


P	LTR	DESCRIPTION	DATE	DWN	APVD
A		NEW DRAWING	18DEC2019	NN	DB
A1		ADDED TOOLING DRAFTS	18FEB2020	NN	AD



NOTES

- COVER FOR 10MM<sup>2</sup> WIRE SIZE  
ACC. ISO 6722-1 THIN WALL  
WIRE MUST SHOULD SUPPORT BENDING RADIUS R = 1 x D
- MATING COVER HALF REQUIRED
- REFER TO CONNECTOR INSTRUCTION SHEETS FOR PROPER ASSEMBLY OF DRESS COVERS
- WARPAGE IN " NEGATIVE-DIRECTION" ALLOWED
- PRODUCT MANUFACTURED IN MEXICO WILL BE SO MARKED



BLACK	PBT-GF 20	COVER 2 60-DEG FOR 4 POS. MIXED SOCKET HOUSING, SEALED	2310399-1	2286732	2301631	2332470	2310400-1
COLOR	MATERIAL	DESCRIPTION	REQUIRED	SUITABLE FOR USE ON TE- CONNECTORS			TE PART-NO.

THIS DRAWING IS A CONTROLLED DOCUMENT.		DWN N. NAYAK 10DEC2019	TE Connectivity															
DIMENSIONS: mm		CHK M. ALLOWAY 18DEC2019																
TOLERANCES UNLESS OTHERWISE SPECIFIED:		APVD D. BROWN 18DEC2019	NAME COVER-2 60-DEG 4 POS. MIXED SOCKET HOUSING, SEALED															
<table border="1"> <tr><td>0 PLC</td><td>±1</td></tr> <tr><td>1 PLC</td><td>±1</td></tr> <tr><td>2 PLC</td><td>±1</td></tr> <tr><td>3 PLC</td><td>±1</td></tr> <tr><td>4 PLC</td><td>±1</td></tr> <tr><td>ANGLES</td><td>±1°</td></tr> <tr><td>FINISH</td><td>-</td></tr> </table>		0 PLC	±1	1 PLC	±1	2 PLC	±1	3 PLC	±1	4 PLC	±1	ANGLES	±1°	FINISH	-	PRODUCT SPEC -	SIZE A2	CAGE CODE 00779
0 PLC	±1																	
1 PLC	±1																	
2 PLC	±1																	
3 PLC	±1																	
4 PLC	±1																	
ANGLES	±1°																	
FINISH	-																	
MATERIAL SEE TABLE		APPLICATION SPEC -	DRAWING NO C-2310400	RESTRICTED TO -														
FINISH -		WEIGHT -	SCALE 2:1	SHEET 1 OF 1														
-		CUSTOMER DRAWING	REV A1															