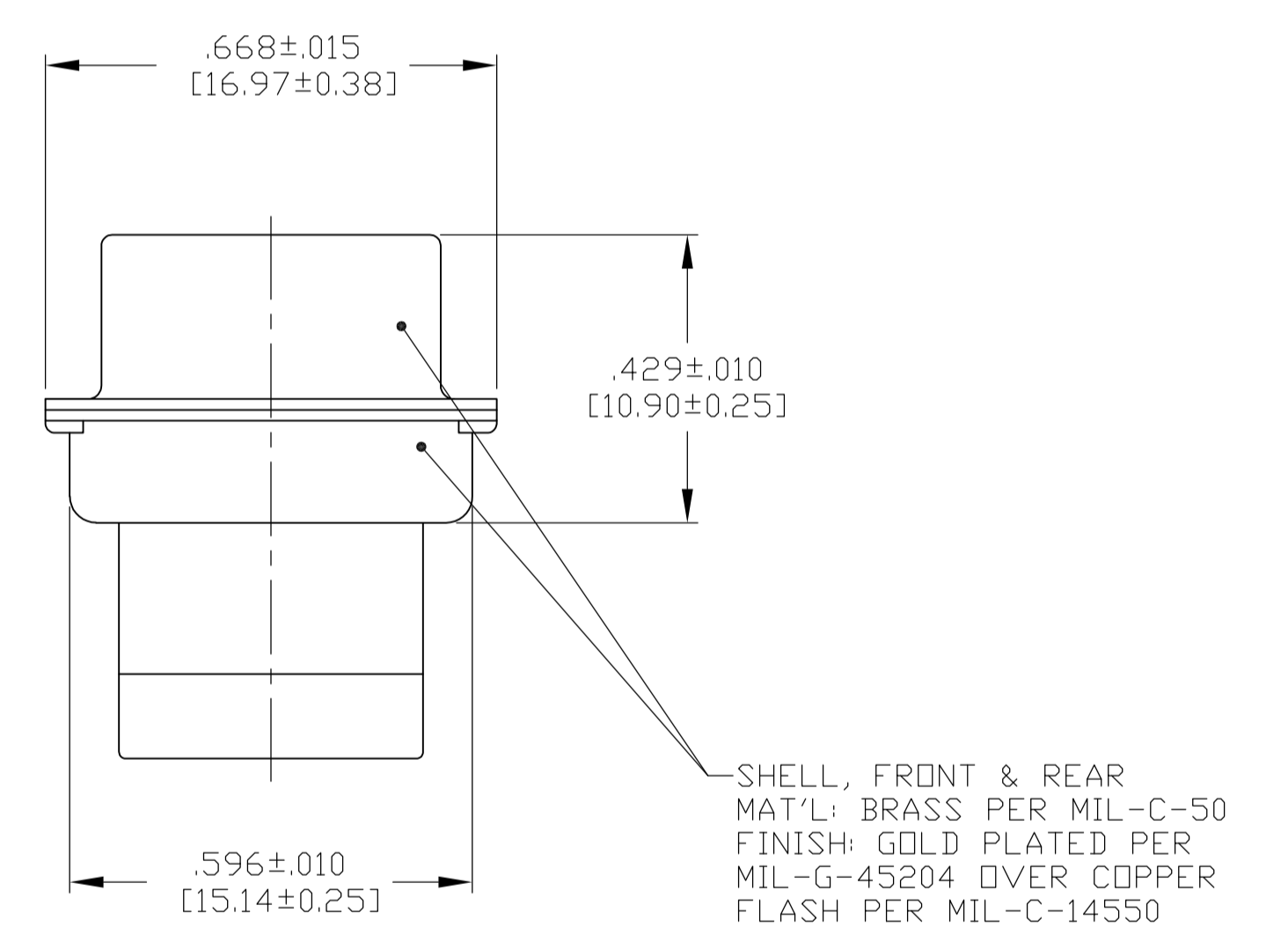
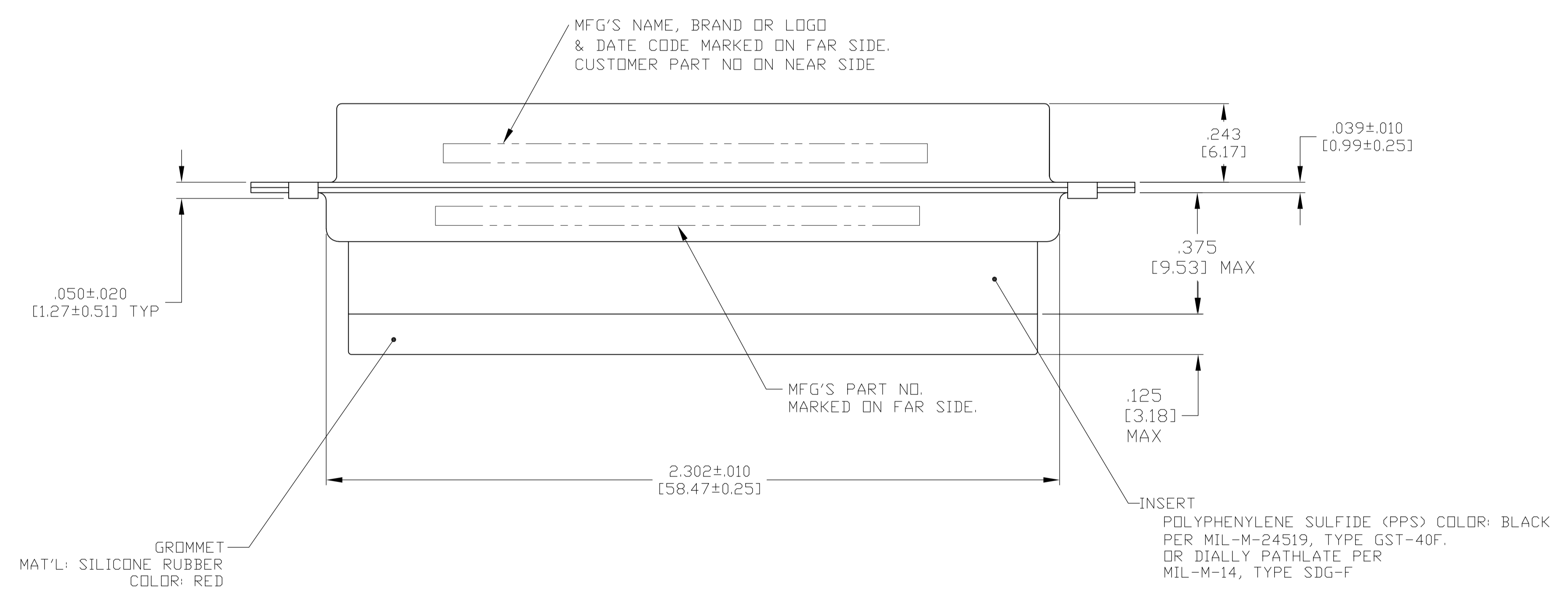
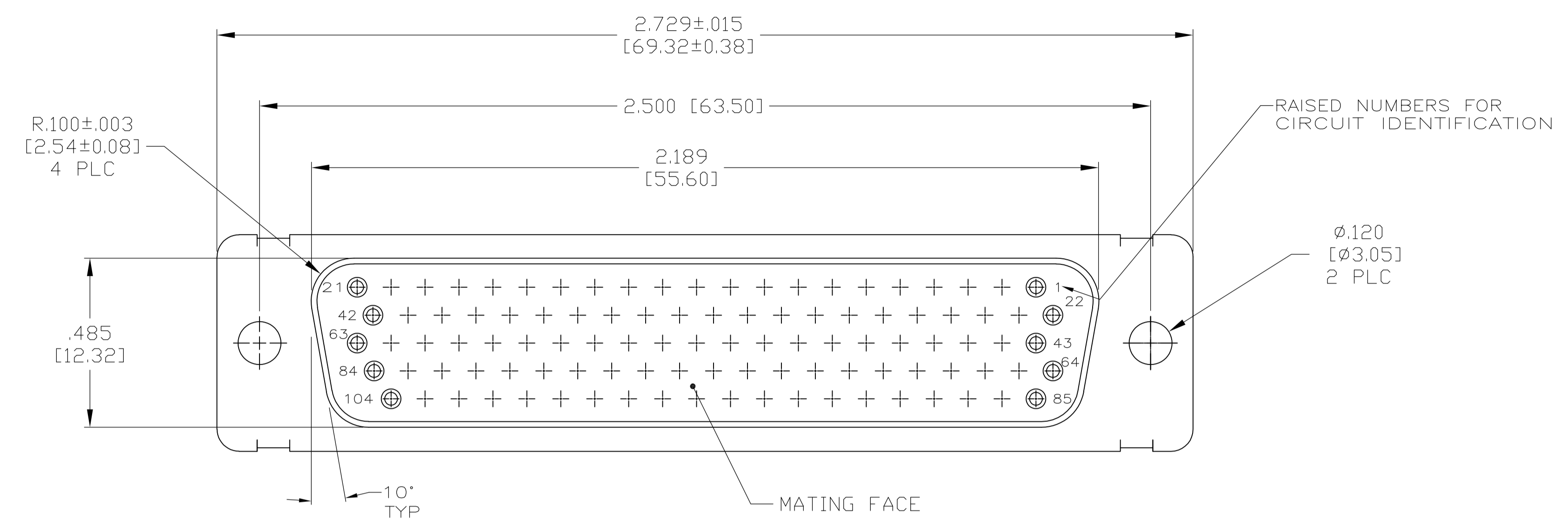


LOC		DIST		REVISIONS			
P	LTR	DESCRIPTION	DATE	DN	APVD		
B		REV PER ECO-12-004103	19MAR12	PY	RL		



- THIS RECEPTACLE WILL MATE WITH ANY SIZE 6, 104 POSN. PLUG IN AMPLIMITE SERIES.
 - CONNECTOR SUPPLIED WITHOUT CONTACTS.
- △ SINGLE LOT DATE CODE IS REQUIRED.

THIS DRAWING IS A CONTROLLED DOCUMENT.		DIN 1-9-12		C.C.THOMAS	
DIMENSIONS: INCHES [mm]		TOLERANCES UNLESS OTHERWISE SPECIFIED:		CIR 1-9-12	
0 PLC ± -		1 PLC ± -		RELEASE 1-9-12	
1 PLC ± -		2 PLC ± -		NAME	
2 PLC ± -		3 PLC ± .005 [0.13]		RECEPTACLE ASSY, AMPLIMITE, SIZE 6, SERIES 90, 104 POSITION, NON-MAGNETIC, WITH GROMMET	
3 PLC ± -		4 PLC ± -		APPLICATION SPEC	
4 PLC ± -		ANGLES ± ± 1°		SIZE	
MATERIAL SEE CALLOUTS		FINISH SEE CALLOUTS		WEIGHT	
				A1 00779 2157654	
				CUSTOMER DRAWING	
				SCALE 4:1 SHEET 1 OF 1 REV B	

CI-2A-112-002V-001	△	2157654-1
CUSTOMER PART NO	REMARKS	PART NO.